



Chipsmall Limited consists of a professional team with an average of over 10 year of expertise in the distribution of electronic components. Based in Hongkong, we have already established firm and mutual-benefit business relationships with customers from,Europe,America and south Asia,supplying obsolete and hard-to-find components to meet their specific needs.

With the principle of "Quality Parts,Customers Priority,Honest Operation,and Considerate Service",our business mainly focus on the distribution of electronic components. Line cards we deal with include Microchip,ALPS,ROHM,Xilinx,Pulse,ON,Everlight and Freescale. Main products comprise IC,Modules,Potentiometer,IC Socket,Relay,Connector.Our parts cover such applications as commercial,industrial, and automotives areas.

We are looking forward to setting up business relationship with you and hope to provide you with the best service and solution. Let us make a better world for our industry!



## Contact us

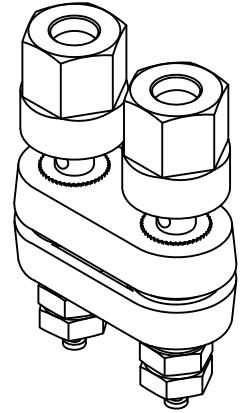
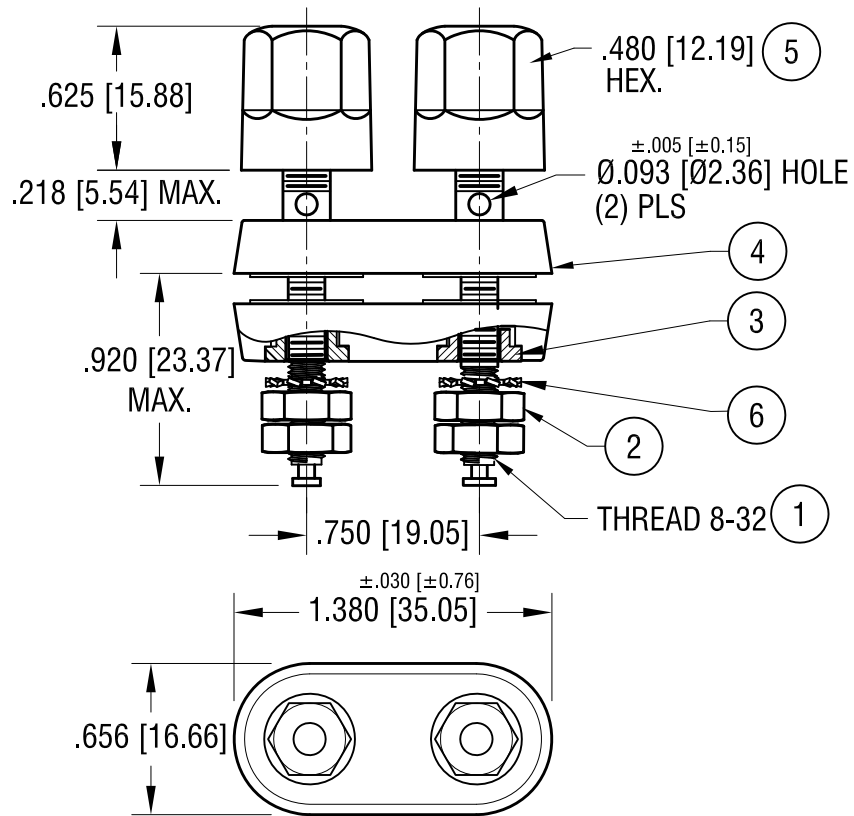
Tel: +86-755-8981 8866 Fax: +86-755-8427 6832

Email & Skype: info@chipsmall.com Web: www.chipsmall.com

Address: A1208, Overseas Decoration Building, #122 Zhenhua RD., Futian, Shenzhen, China



THIS DOCUMENT IS THE PROPERTY OF KEYSTONE ELECTRONICS CORP. AND SHALL NOT BE REPRODUCED, DISTRIBUTED OR USED AS A BASIS FOR MANUFACTURE WITHOUT PRIOR WRITTEN PERMISSION FROM KEYSTONE ELECTRONICS CORP.



NO.	QTY	DESCRIPTION	MAT'L	FINISH
6	2	EXTERNAL TOOTH LOCK WASHER	STEEL	NICKEL PL.
5	2	HEAD, (1) RED, (1) BLK	NYLON	-
4	2	WASHER, INSULATOR	NYLON	-
3	2	WASHER, INSERT	BRASS	NICKEL PL.
2	4	NUT	BRASS	NICKEL PL.
1	2	SHAFT	BRASS	NICKEL PL.

### KEYSTONE ELECTRONICS CORP.

www.keyelco.com • ASTORIA, N.Y. 11105-2017 • Tel (718) 956-8900

PART NAME

STANDARD 'DUAL' BINDING POST

MATERIAL

AS NOTED

FINISH

AS NOTED

DRN BY

NT

DATE

2.19.09

APP'D

LN

SCALE

1.2X

TOLERANCES

INCH [MM]

DECIMAL  $\pm .010$  [±0.25]

CODE

ANGULAR  $\pm 1^\circ$   
UNLESS OTHERWISE SPECIFIED

C/M

DWG NO.

7018

DATE	DESCRIPTION	REV.
4.12.12	CHANGE AS PER ECN 12-046	D
2.19.09	CHANGE AS PER ECN 09-012	C