



Chipsmall Limited consists of a professional team with an average of over 10 year of expertise in the distribution of electronic components. Based in Hongkong, we have already established firm and mutual-benefit business relationships with customers from,Europe,America and south Asia,supplying obsolete and hard-to-find components to meet their specific needs.

With the principle of “Quality Parts,Customers Priority,Honest Operation,and Considerate Service”,our business mainly focus on the distribution of electronic components. Line cards we deal with include Microchip,ALPS,ROHM,Xilinx,Pulse,ON,Everlight and Freescale. Main products comprise IC,Modules,Potentiometer,IC Socket,Relay,Connector.Our parts cover such applications as commercial,industrial, and automotives areas.

We are looking forward to setting up business relationship with you and hope to provide you with the best service and solution. Let us make a better world for our industry!



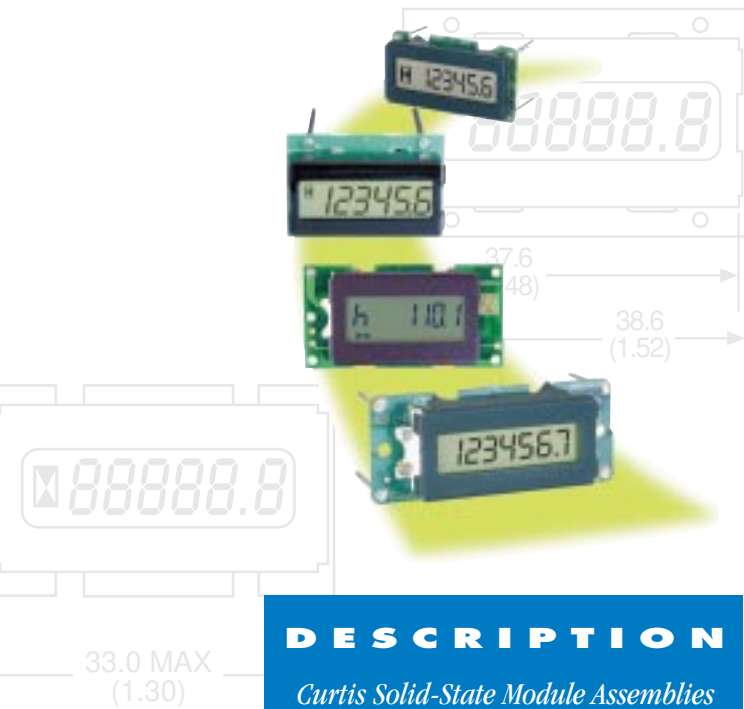
## Contact us

Tel: +86-755-8981 8866 Fax: +86-755-8427 6832

Email & Skype: info@chipsmall.com Web: www.chipsmall.com

Address: A1208, Overseas Decoration Building, #122 Zhenhua RD., Futian, Shenzhen, China





## DESCRIPTION

*Curtis Solid-State Module Assemblies are designed for OEM applications. Curtis offers a wide selection of miniature AC & DC meter assembly modules for PC board mounting applications.*

*700 – 703: Single-function 6-digit display for Counter or Hour Meter configurations.*

*708 & 721: Dual channel, 6 & 7-digit display for Maintenance/Hour Meter or Trip Odometer configurations.*

*720: Single channel 7-digit Odometer configuration.*

## WARRANTY

Two Year Limited Warranty  
(see terms of sale for specifics)

## Applications

These models offer a variety of functions, sizes, voltages and customizable options to fit most applications. Ideal for OEMs, contract manufacturers, and panel makers for monitoring equipment usage, scheduling maintenance, warranty validation, rental/leasing use and more. Used extensively in industrial, agricultural, military & specialty vehicles, as well as applications such as: vending machines, medical & office equipment, fuel pumps, and consumer products.

## Features

- Selection - hour meters, counters, odometers, maintenance monitors and more.
- Solid State Circuitry - no moving parts to wear out. Silent operation and years of rugged & reliable operation.
- Precision - faster response, more precise and easier to read than electromechanical meters.
- Crisp, clean readouts - high-contrast 5 & 7mm LCD displays.
- Versatility - compact module designs with high quality components to minimize space.
- AC/DC Configurations - wide range of operating voltages & noise protection.
- OEM Compatibility - an unparalleled selection of power compatibility, design configurations and functionality for OEM custom designs, panel makers and contract manufacturers.
- Distinctive Icons - clear indicators for hour meter/timer activation and display modes.
- Backlighting - available on all models (see model coding chart or consult factory).
- Power-up LCD Function Test - displays all 8's for 1 sec at power-up (models 700-703 only).
- EEPROM memory – nonvolatile, retention of data for as much as 25 yrs.+ without power.
- Manufactured under ISO 9001 Certified Quality Management System

*Model Coding Assembly Modules 700, 701, 703*

<b>700</b>	<b>P</b>	<b>N</b>	<b>-</b>	<b>0</b>	<b>0</b>	<b>0</b>
<b>Model Number</b>	<b>Digit Height</b>	<b>Reset Control Options</b>	<b>Functions</b>	<b>Voltage</b>	<b>Reset/Backlight Configurations (1)</b>	
<b>700</b> (6-digit) Hour Meter	<b>P</b> - 5mm digits	<b>R</b> - Wired Reset <b>N</b> - No Reset	<b>0</b> - AC/DC (700 only)	<b>0</b> - 5-12 VDC nom (4.75-15 abs) 6-12 VAC nom (5-15 abs)	<b>0</b> - No Reset, No Backlight <b>2</b> - Reset, No Backlight	
<b>701</b> (6-digit) Hour Meter	<b>P7</b> (2)- 7mm digits		<b>1</b> - DC only with wired Enable for Hour/Count (701&703 only)	<b>1</b> - 12-48 VDC nom (9-60 abs) 20-60 VAC nom (15-75 abs)	<b>H</b> - Reset, Internal Backlight (3) <b>J</b> - No Reset, Internal Backlight (3)	
<b>703</b> (6-digit) Pulse Counter			<b>2</b> - AC/DC with wired Enable (701&703 only)	<b>2</b> - 48-150 VDC nom (36-185 abs) 100-230 VAC nom (75-287 abs)	<b>4</b> - Reset, External Backlight <b>5</b> - No Reset, External Backlight	
				<b>4</b> - 12 VDC only (9-15 abs) Backlight Options "H" & "J" only.		

NOTE: (1) All Backlight configurations - require 12 VDC (only) connection to illumination pin.  
 (2) 7mm models - Backlighting only available as External.  
 (3) Available only in 5mm & with voltage option 4 only.

*Model Coding Assembly Modules 708, 720, 721*

<b>708</b>	<b>P</b>	<b>R</b>	<b>- x x x x</b>
<b>Model Number (&amp; function)</b>	<b>Digit Height</b>	<b>Reset Control Options</b>	<b>Sequential Specification</b>
<b>708</b> (6-digit) Dual Channel Maintenance/Hour Meter	<b>All Models</b> <b>P</b> - 5mm digits	<b>Model 708/721</b> <b>R</b> - Wired Reset for Maintenance or Trip Display	Consult Curtis for: display format, voltages, connection termination, backlighting, pre-scaling and programming options.
<b>720</b> (7-digit) Single Channel Odometer			
<b>721</b> (7-digit) Dual Channel Odometer/Trip Odometer			

## Module Assembly Specifications

<b>Display</b>	6-digit, 5 or 7 mm high	(Models 700, 701, 703)
	Dual-Channel 6-digit, 5 mm high	(Model 708)
	7-digit, 5 mm high	Model 720)
	Dual-Channel 7-digit, 5 mm high	(Model 721)
<b>Range &amp; Resolution</b>	Hour Meters 99,999.9 hrs.	(Models 700, 701, 708)
	Maintenance 3,999.9 hrs.	(Model 708/2nd Channel)
	Counters 999,999 counts	(Model 703)
	Odometers 999,999.9 increments	(Models 720, 721)
	Trip 999.9	(Model 720) optional resolution (Model 721/2nd Channel)
<b>Accuracy</b>	Hour Meters $\pm 0.1\%$	(Models 700, 701, 708)
	Counters $\pm 1$ count	(Model 703)
	Odometers $\pm 1$ increment	(Model 720, 721)
<b>Humidity</b>	95% Non-condensing at 38°C	
<b>Operating Temperature</b>	-40°C to + 85°C	
<b>Storage Temperature</b>	-50°C to + 85°C	
<b>Operating Frequency (AC units)</b>	48 to 440 Hz abs.	
<b>Memory</b>	Main power must be applied for 5 sec to activate memory (with no loss of time/counts). EEPROM-Data retention 25+ years without power present.	
<b>Input Signal (DC Only)</b>	Counter	Model 703 - 500 Hz max, 50% duty cycle (1ms low, min, between consecutive highs).
	Maintenance Monitor	Models 701, 708 - Power must be applied for 0.5 sec, min, to accumulate time.
	Odometer	Model 720 - Varies depending on model configuration (consult factory).
	Trip/Odometer	Model 721 - 500 Hz max, 50% duty cycle (1ms low, min, between consecutive highs).
<b>Input Signal (AC/DC)</b>	Hour Meter	Models 701, 708 - Power must be applied for 0.5 sec, min, to accumulate time.
	Counter	Model 703 - 1 Hz max, 50% duty cycle (500ms low, min, between consecutive highs).
<b>Reset</b>	All Models	Main power must be applied for a minimum of 0.5 sec. prior to reset signal.
	Models 700, 701, 703	6ms, min, at operating voltage.
	Model 708	Maintenance 2 or 4 sec, factory programmed; hour meter not resettable.
	Model 720	70ms min at operating voltage.
Model 721	Trip channel 2 or 4 sec, factory programmed; odometer is not resettable.	
		Note: Max Reset frequency is 150Hz for AC models.
<b>Notes:</b>	<ol style="list-style-type: none"> <li>1. All modules are supplied with critical components exposed. If the module is being used in an environment other than specified, the user must take precautions to package the module to provide adequate protection.</li> <li>2. For proper mechanical support, all module pins should be soldered to the PC-board.</li> <li>3. To prevent heat damage to components, module face should be 10-20mm minimum away from PC-board when flow soldered.</li> </ol>	

*Current Consumption: (mA max)*

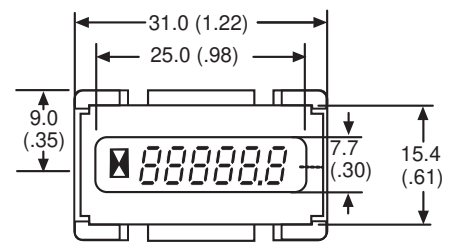
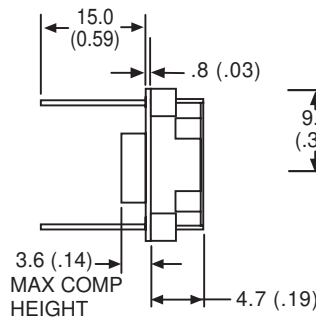
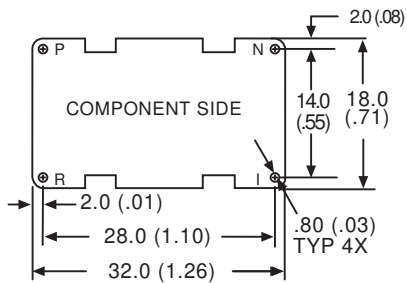
	<b>Operating Voltage at Power Terminals</b>	<b>700, 701, 703 (5mm)</b>	<b>700, 701, 703 (7mm)</b>	<b>708, 721 (5mm)</b>
External or Non - Backlight Models	5 - 12 VDC (@ 5 V)	0.5	0.5	N/A
	12 - 48 VDC (@ 12 V)	0.8	0.8	1.0
	48 - 150 VDC (@ 48 V)	0.8	0.8	N/A
	100 - 230 VAC (@ 120 V)	1.0	1.0	N/A
	100 - 230 VAC (@ 230 V)	2.0	2.0	N/A
Internal Backlight Models	12 VDC (only)	35	N/A	N/A
<b>At Illumination Pin</b>				
External Backlight Models	9-15 VDC (@12 V)	30	35	35

*Module Dimensions: mm (inches)*

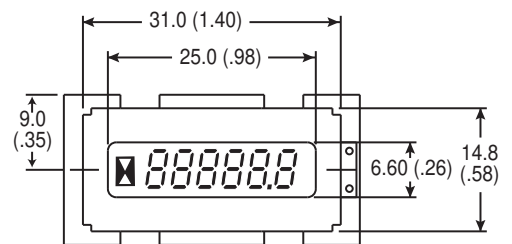
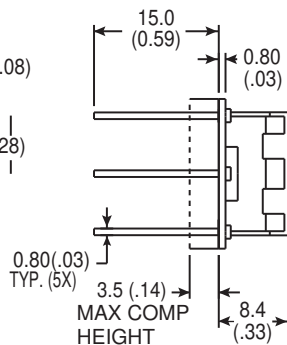
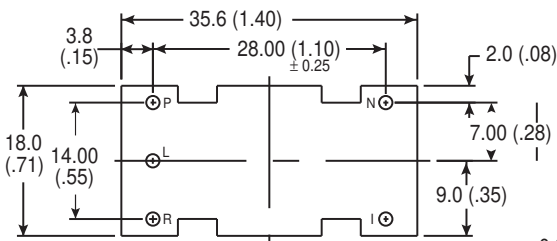
*Models 700, 701, 703 - 5mm Digits*



**Non-Backlight**



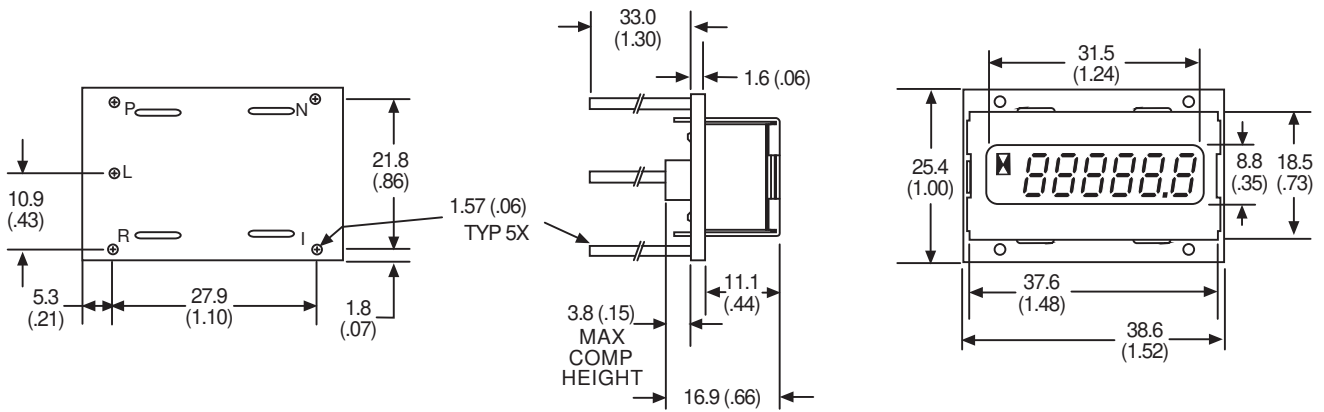
**Backlight**



Note: Standard pin lengths are shown. Optional lengths are available.

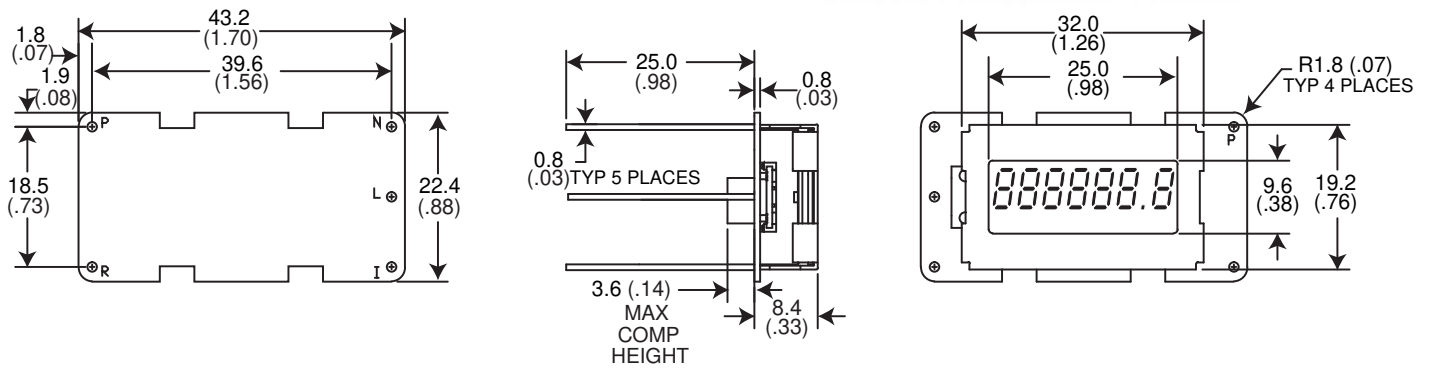
Module Dimensions: mm (inches) cont.

Models 700, 701, 703 - 7mm Digits



Model 708

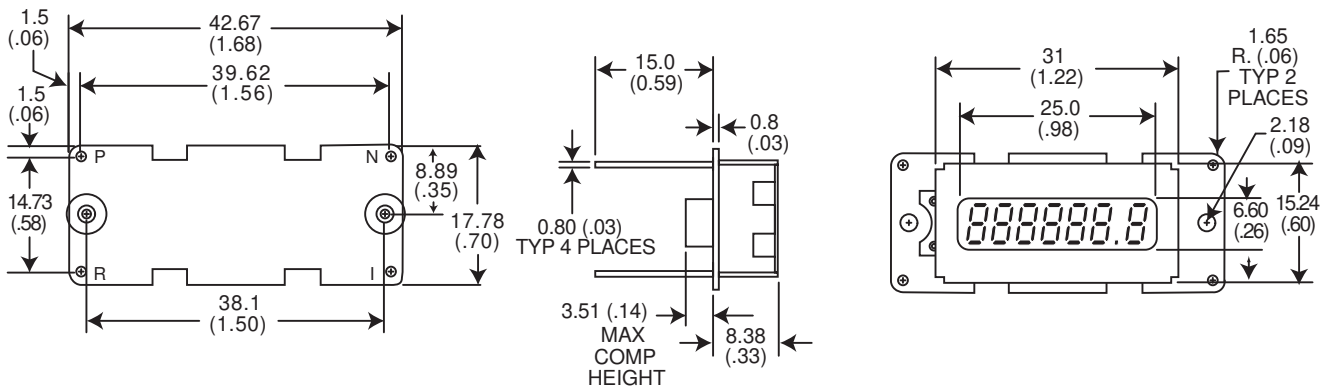
Model 721



Note: Standard pin lengths are shown. Optional lengths are available.

*Module Dimensions: mm (inches) cont.*

*Model 720*



Note: Standard pin lengths are shown. Optional lengths are available.

*Module Wiring Guide*

Pin IDs	Assignment
P (J2)	V+
N (J3)	V- (common)
I (J4)	Enable V+ to activate elapsed time (Optional on 701, 708, N/A on 700) or increment count (703, 720, 721).
R (J5)	Reset V+ to reset count/elapsed time to zero (720, Optional on 700, 701, 703) or resettable channel to zero (Models 708, 721).
L (J1)	Illumination Control - 12 VDC only (Optional, external backlight units only) 9-15 VDC absolute, regardless of operating voltage.

# CURTIS



**Curtis Instruments, Inc.**

Mt. Kisco, New York

**Curtis Instruments (Puerto Rico), Inc.**

Carolina, Puerto Rico

**Curtis PMC**

Dublin, California

**Curtis Instruments (UK) Ltd.**

Northampton, England

**Curtis Instruments (India)**

Pune, India

**Curtis Instruments, SA**

Paris, France

**Curtis Instruments GmbH**

Paderborn, Germany

**Curtis/Balkan Ltd.**

Sofia, Bulgaria

**Curtis Instruments AB**

Stenkullen, Sweden

**Curtis Instruments (China) Company, Ltd.**

Beijing, China

Suzhou, China

Hong Kong, China

**Curtis Instruments, BV**

Bunnik, Netherlands

**Curtis Instruments (Pacific), Inc.**

Tokyo, Japan

**Curtis Instruments AG**

Biberist, Switzerland

**Curtis Instruments S.r.l.**

Milano, Italy

*Innovation and Excellence*