



Chipsmall Limited consists of a professional team with an average of over 10 year of expertise in the distribution of electronic components. Based in Hongkong, we have already established firm and mutual-benefit business relationships with customers from,Europe,America and south Asia,supplying obsolete and hard-to-find components to meet their specific needs.

With the principle of “Quality Parts,Customers Priority,Honest Operation,and Considerate Service”,our business mainly focus on the distribution of electronic components. Line cards we deal with include Microchip,ALPS,ROHM,Xilinx,Pulse,ON,Everlight and Freescale. Main products comprise IC,Modules,Potentiometer,IC Socket,Relay,Connector.Our parts cover such applications as commercial,industrial, and automotives areas.

We are looking forward to setting up business relationship with you and hope to provide you with the best service and solution. Let us make a better world for our industry!



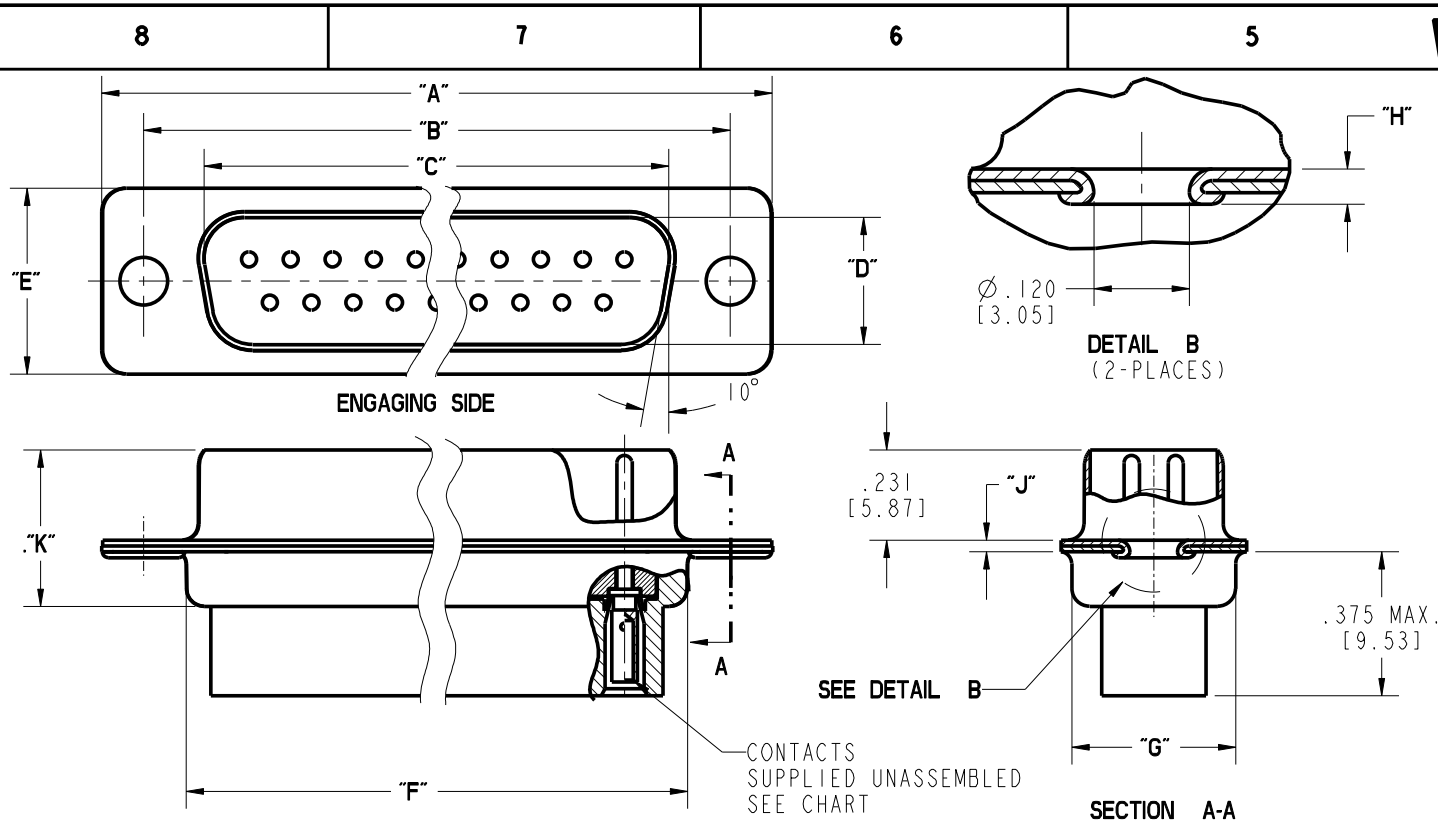
Contact us

Tel: +86-755-8981 8866 Fax: +86-755-8427 6832

Email & Skype: info@chipsmall.com Web: www.chipsmall.com

Address: A1208, Overseas Decoration Building, #122 Zhenhua RD., Futian, Shenzhen, China





NOTES:

1. SPECIFICATIONS:

ELECTRICAL:
 WITHSTANDING VOLTAGE: MINIMUM 1000 V RMS @ SEA LEVEL
 INSULATION RESISTANCE: INITIAL 5000 MEGOHMS MAXIMUM,
 1000 MEGOHMS MIN. AFTER ENVIRONMENTAL TESTING.
 CONTACT RATING: 5 AMPS
 CONTACT RESISTANCE: 2.7 MILLIOHMS MAX.

MATERIALS:
 INSULATOR: BLACK UL94V-0 RATED GLASS FILLED NYLON
 CONTACT(030-1952-000): COPPER ALLOY
 CONTACT AREA PLATING: GOLD OVER NICKEL,
 CONNECTOR SHELL: STEEL, PLATING ZINC WITH CLEAR CHROMATE.

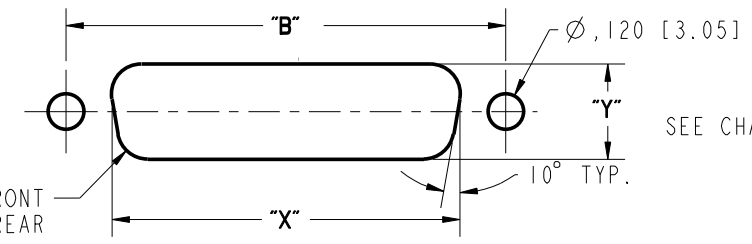
ENVIRONMENTAL:
 OPERATING TEMPERATURE: -65°C TO +125°C

TERMINATION:
 CRIMP WILL ACCOMODATE # 20 TO 28 AWG WIRE.
 TERMINATION-TOOLS:
 CRIMP TOOL: M22520/2-01
 INSERTION/EXTRACTION TOOL: CIET-20-HDB
 POSITIONER: EP-580

2. DIMENSIONS IN [] ARE IN MILLIMETERS.

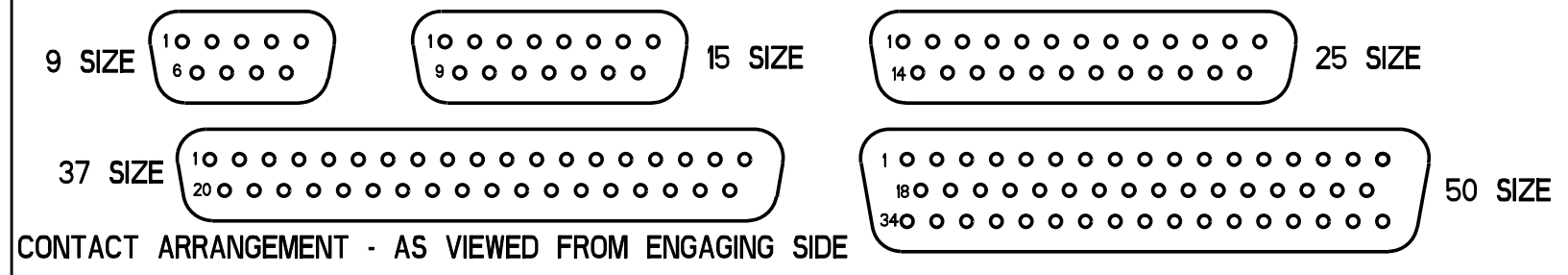
DRAWING REVISIONS			
REV	DOCUMENT	APP	DATE
A	DO 05-11146	AKB	01/07/06
B	ECN 06E296		

NUMBER OF POSITIONS	SELECTIVE GOLD FLASH PLATING (.120" [3.05] MTG. HOLES)		CONTACTS	DIMENSION										FRONT MOUNTING HOLE DIMENSIONS		REAR MOUNTING HOLE DIMENSIONS					
	PART NO.	FACTORY NO.		"A"	"B"	"C"	"D"	"E"	"F"	"G"	"H"	"J"	"K"	"X"	"Y"	"X"	"Y"				
9	DEUH-9P	702 03 09 001	INCLUDED	1.213 [30.81]	.984 [24.99]	.697 [17.70]	.360 [9.14]		.759 [19.28]									.874 [22.20]	.806 [20.47]		
	DEUH-9P-FO	702 03 09 005	NOT INCLUDED																		
15	DAUH-15P	702 03 15 001	INCLUDED	1.541 [39.14]	1.312 [33.32]	1.025 [26.03]	.494 [12.55]		1.083 [27.51]	.422 [10.72]								1.202 [30.53]	1.134 [28.80]		
	DAUH-15P-FO	702 03 15 005	NOT INCLUDED																		
25	DBUH-25P	702 03 25 001	INCLUDED	2.088 [53.04]	1.852 [47.04]	1.583 [40.21]	.378 [9.60]		1.629 [41.38]	.422 [10.72]								1.743 [44.27]	1.674 [42.52]		
	DBUH-25P-FO	702 03 25 005	NOT INCLUDED																		
37	DCUH-37P	702 03 37 001	INCLUDED	2.729 [69.32]	2.500 [64.50]	2.231 [56.67]	.378 [9.60]		2.272 [57.71]	.422 [10.72]								2.391 [60.73]	2.326 [59.08]		
	DCUH-37P-FO	702 03 37 005	NOT INCLUDED																		
50	DDUH-50P	702 03 50 001	INCLUDED	2.635 [66.93]	2.406 [61.11]	2.127 [54.02]	.484 [12.29]	.605 [15.37]	2.178 [55.32]	.534 [13.56]								2.297 [58.34]	.623 [15.82]	2.218 [56.34]	.555 [14.10]
	DDUH-50P-FO	702 03 50 005	NOT INCLUDED																		



RECOMENDED MTG. HOLE LAYOUT
 SEE CHART FOR FRONT AND REAR MTG. DIMENSIONS

ROHS COMPLIANT



UNITS	ENGLISH	PRO/E	Cinch		MODELED BY: V. SKUZA
DO NOT SCALE DRAWING	DRAWN BY V. SKUZA	DATE 06/17/05	TITLE D*U SERIES CRIMP & POKE CONNECTOR PLUG ASS'Y (.120" HOLES)		1700 FINLEY RD LOMBARD, IL. 60148
	DESIGN ENGINEER A. BALI	06/17/05	MATERIAL		CONTROL SPEC NUMBER
	DESIGN ENGINEERING MGR. A. SHAH	07/09/05	MATERIAL SPEC NUMBER	FINISH	PROJECT NUMBER C14740
	MFG. ENGINEERING J. OCEGUERA	07/07/05	CAD FILE NUMBER DXUHXXP	DRAWING NUMBER D*UH-XXP	
	QUALITY ASSURANCE A. VAZQUEZ	07/06/05	CAGE IDENT NO. / SIZE 71785 B	SCALE 1:1	SHEET 1 OF 1

THIS DOCUMENT IS THE PROPERTY OF CINCH. NEITHER THIS DOCUMENT NOR ANY OF THE INFORMATION CONTAINED IN IT MAY BE DUPLICATED OR DISCLOSED WITHOUT PRIOR WRITTEN CONSENT OF CINCH.