



Chipsmall Limited consists of a professional team with an average of over 10 year of expertise in the distribution of electronic components. Based in Hongkong, we have already established firm and mutual-benefit business relationships with customers from,Europe,America and south Asia,supplying obsolete and hard-to-find components to meet their specific needs.

With the principle of "Quality Parts,Customers Priority,Honest Operation,and Considerate Service",our business mainly focus on the distribution of electronic components. Line cards we deal with include Microchip,ALPS,ROHM,Xilinx,Pulse,ON,Everlight and Freescale. Main products comprise IC,Modules,Potentiometer,IC Socket,Relay,Connector.Our parts cover such applications as commercial,industrial, and automotives areas.

We are looking forward to setting up business relationship with you and hope to provide you with the best service and solution. Let us make a better world for our industry!



Contact us

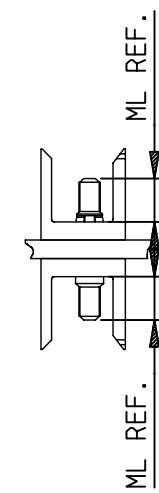
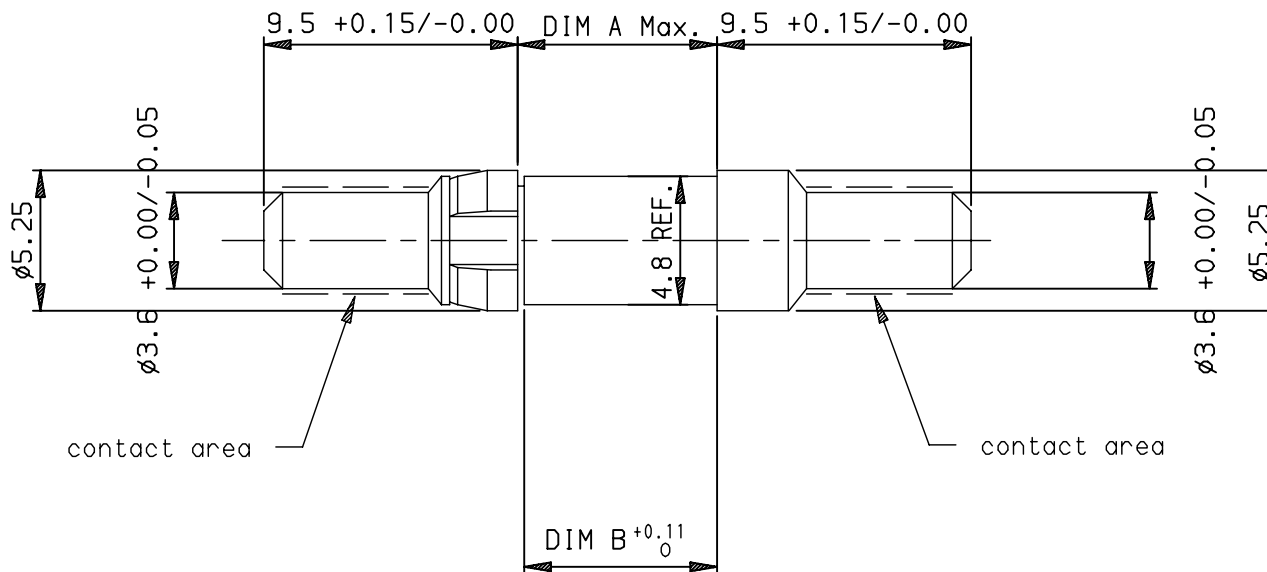
Tel: +86-755-8981 8866 Fax: +86-755-8427 6832

Email & Skype: info@chipsmall.com Web: www.chipsmall.com

Address: A1208, Overseas Decoration Building, #122 Zhenhua RD., Futian, Shenzhen, China



LEAD-FREE PART NUMBER	PCB THICKNESS	DIM A	DIM B	CURRENT RATING	MATING LENGTH
70201-001LF	1.6	5.90	5.58	40 Amps. Max.	8
70201-002LF	2.4	6.70	6.38	40 Amps. Max.	8
70201-003LF	3.2	7.50	7.18	40 Amps. Max.	8
70201-004LF	4.0	8.30	7.98	40 Amps. Max.	8
70201-005LF	4.8	9.10	8.78	40 Amps. Max.	8
70201-006LF	5.6	9.90	9.58	40 Amps. Max.	8
70201-007LF	3.7	8.00	7.68	40 Amps. Max.	8



APPLICATION SCALE 1:1

NOTES:

- 1 UNDERPLATING Ni
- 2 DIM. ACC. DIN 41626 UNLESS OTHERWISE STATED
- 3 GEN. TOL. ± 0.10
- 4 CAN BE USED WITH NARROW/WIDE BODY HOUSINGS LIKE 70290/88911
- 5 THIS PRODUCT WITH "LF" SUFFIX MEETS EUROPEAN UNION DIRECTIVES AND OTHER COUNTRY REGULATIONS AS DESCRIBED IN GS -22-008.
- 6 THE PRODUCT IS NOT INTENDED TO BE EXPOSED TO A MANUFACTURE AND SOLDER PROCESS.
- 7 PACKAGING SPEC: SEE GS-14-920

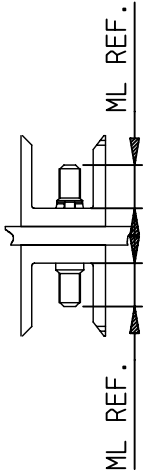
CONTACT AREA
1.3 μ m Au Min.

rev	ecn no	dr	date
K	LS06-0022	LGO	2006/03/04
L	LS07-0214	LGO	2007/08/20
M	LS08-0057	LGO	2008/02/18
-	-	-	-
-	-	-	-
-	-	-	-

www.fciconnect.com		surface ISO 1302 <input checked="" type="checkbox"/>	tolerance std ISO 406 ISO 1101	projection 	mm
TOLERANCES UNLESS OTHERWISE SPECIFIED					
Dr	GOISNARD	2006/03/04	ANGULAR	0.X	± 0.1
Eng	GOISNARD	2006/03/04	LINEAR	0.XX	± 0.1
Chr	LEGARE	2006/03/04	0.XX' $\pm 2'$	0.XXX	± 0.1
Appr	LEGARE	2006/03/04	Product family	METRAL	Spec ref -
FCJ		HEADER		70201	
title		POWER COUPLER		Rev. M	
catalog no		-		CUSTOMER sheet 1 of 2	

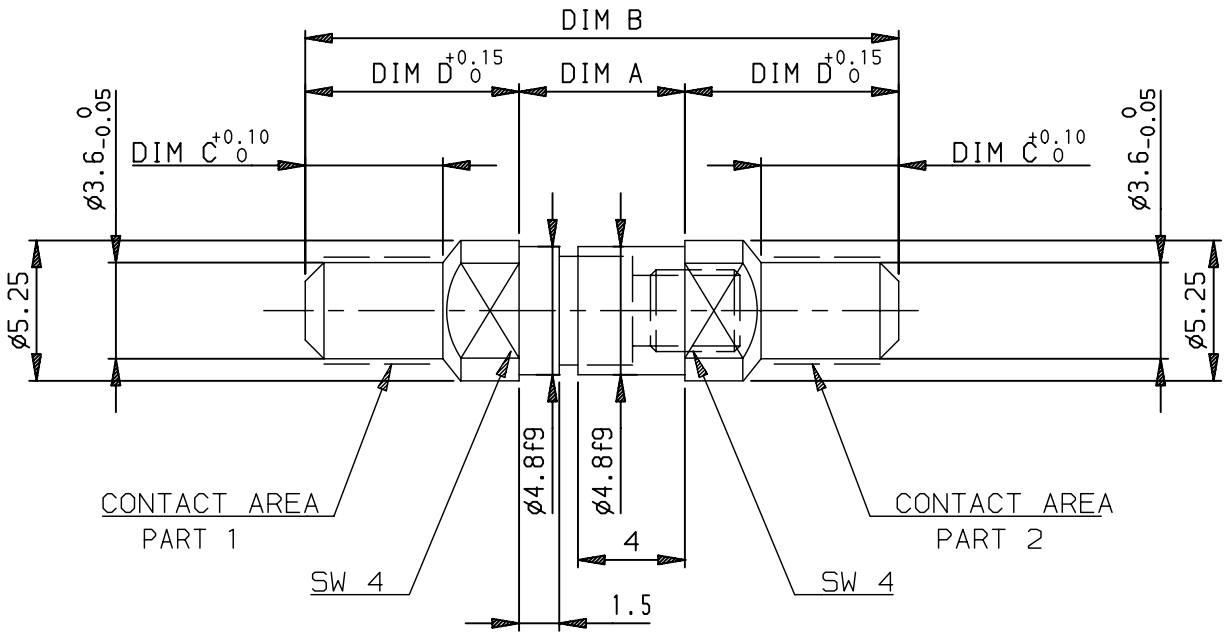
European Views

LEAD-FREE PART NUMBER	PCB THICKNESS	DIM A		DIM B		DIM C	DIM D	CURRENT RATING	MATING LENGTH
		MIN.	MAX.	MIN.	MAX.				
70201-101LF	2.5-5.0	6.2	9.6	22.2	25.6	4.9	8	40 Amps. Max.	6.5
70201-102LF	4.5-7.0	8.1	11.5	23.35	26.75	4.15	7.25	40 Amps. Max.	5.75



APPLICATION SCALE 1:1

CONTACT AREA
1.3µm Au Min.



- NOTES:
- 1 UNDERPLATING Ni
 - 2 DIM. ACC. DIN 41626 UNLESS OTHERWISE STATED
 - 3 GEN. TOL. ±0.10
 - 4 CAN BE USED WITH NARROW/WIDE BODY HOUSINGS LIKE 70290/88911
 - 5 THIS PRODUCT WITH "LF" SUFFIX MEETS EUROPEAN UNION DIRECTIVES AND OTHER COUNTRY REGULATIONS AS DESCRIBED IN GS -22-008.
 - 6 THE PRODUCT IS NOT INTENDED TO BE EXPOSED TO A MANUFACTURE AND SOLDER PROCESS.
 - 7 PACKAGING SPEC: SEE GS-14-920

European Views

www.fciconnect.com		surface ISO 1302 ✓	tolerance std ISO 406 ISO 1101	projection mm	TOLERANCES UNLESS OTHERWISE SPECIFIED	
Dr	GOISNARD	2006/03/04	ANGULAR	0.X	±0.1	size A3
Eng	GOISNARD	2006/03/04	LINEAR	0.XX	±0.1	Scale 5
Chr	LEGARE	2006/03/04	0.XX' ±2'	0.XXX	±0.1	ECN LS08-0057
Appr	LEGARE	2006/03/04	Product family	METRAL	Spec ref	-
FCI title HEADER POWER COUPLER		catalog no		70201		Rev. M
CUSTOMER		sheet 2 of 2				