



Chipsmall Limited consists of a professional team with an average of over 10 year of expertise in the distribution of electronic components. Based in Hongkong, we have already established firm and mutual-benefit business relationships with customers from,Europe,America and south Asia,supplying obsolete and hard-to-find components to meet their specific needs.

With the principle of “Quality Parts,Customers Priority,Honest Operation,and Considerate Service”,our business mainly focus on the distribution of electronic components. Line cards we deal with include Microchip,ALPS,ROHM,Xilinx,Pulse,ON,Everlight and Freescale. Main products comprise IC,Modules,Potentiometer,IC Socket,Relay,Connector.Our parts cover such applications as commercial,industrial, and automotives areas.

We are looking forward to setting up business relationship with you and hope to provide you with the best service and solution. Let us make a better world for our industry!



Contact us

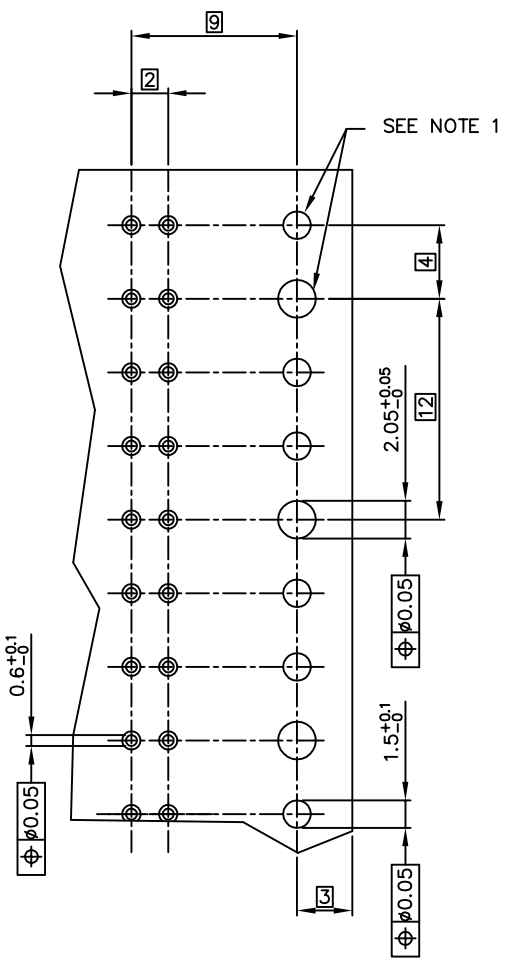
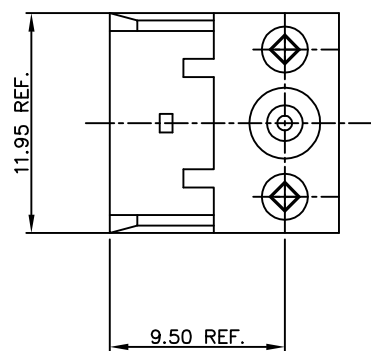
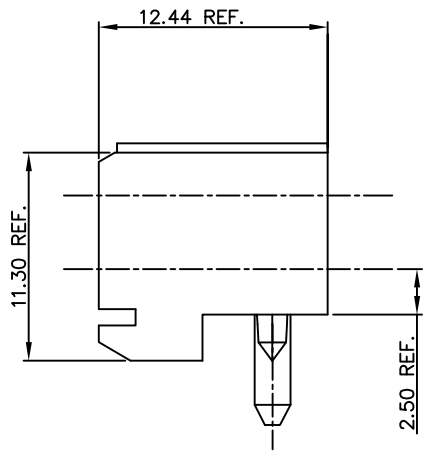
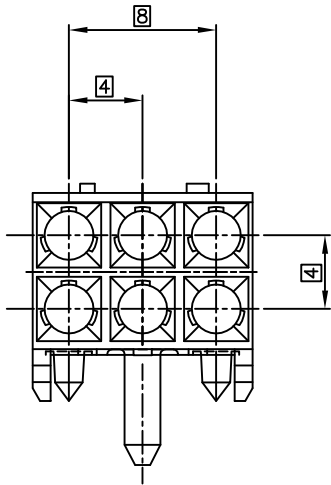
Tel: +86-755-8981 8866 Fax: +86-755-8427 6832

Email & Skype: info@chipsmall.com Web: www.chipsmall.com

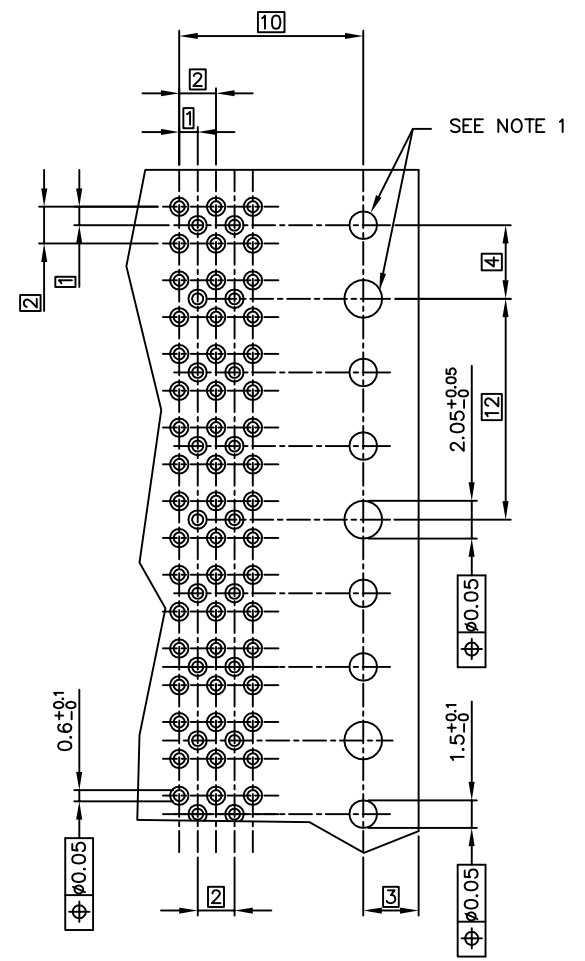
Address: A1208, Overseas Decoration Building, #122 Zhenhua RD., Futian, Shenzhen, China



PRODUCT # 70244-101LF

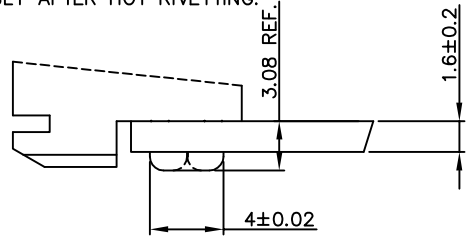


RECOMMENDED HOLE PATTERN,
COMPONENT SIDE.
MINI-POWER



RECOMMENDED HOLE PATTERN,
COMPONENT SIDE.
MINI-COAX

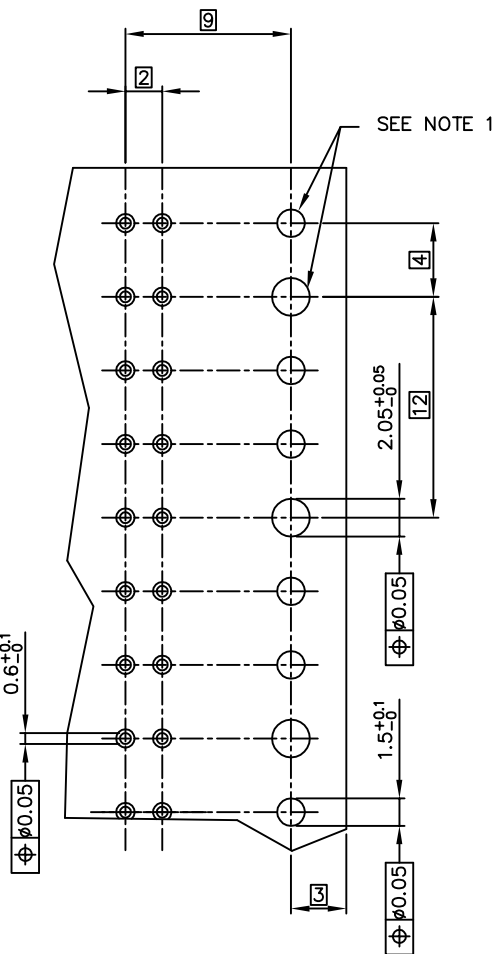
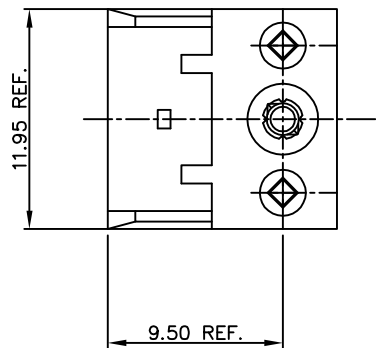
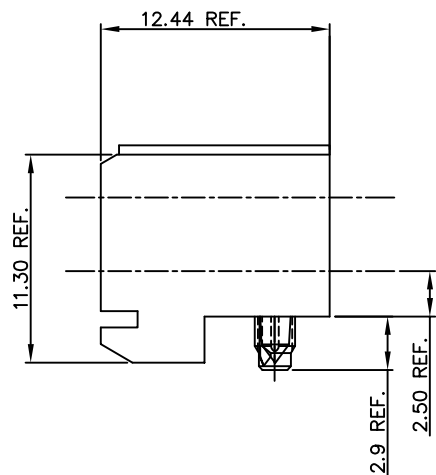
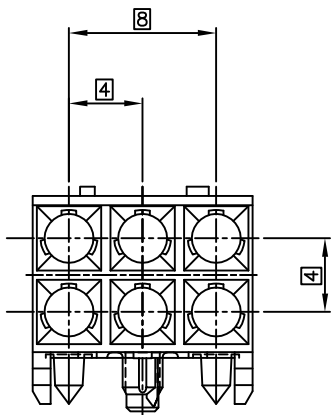
ASSEMBLY AFTER HOT RIVETTING.



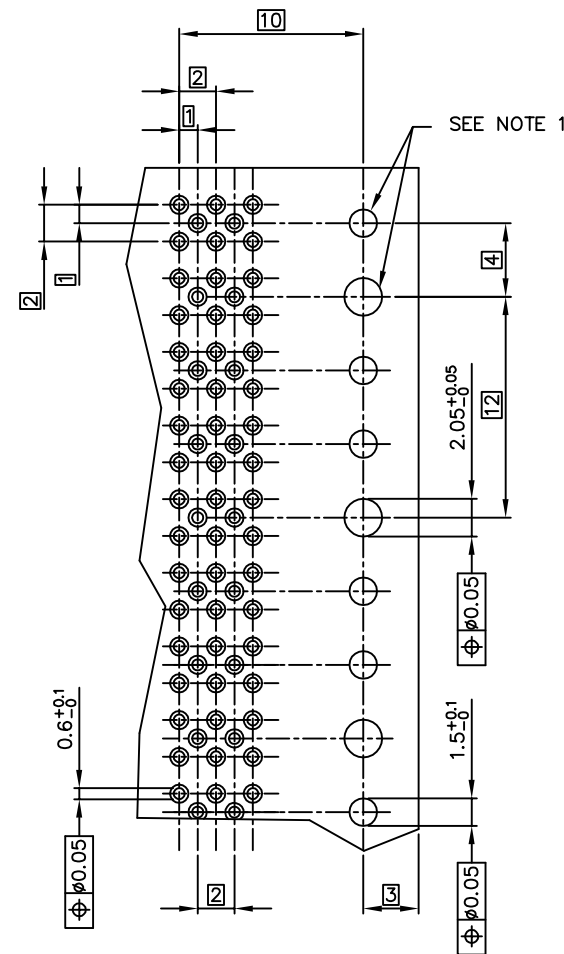
- NOTE:
- INDICATED HOLES ARE UNPLATED.
 - MATERIAL:
LIQUID CRYSTAL POLYMER 30% GLASS
FLAME RETARDANT ACC. UL 94-V0
COLOR NATURAL.
 - THIS PRODUCT WITH "LF" SUFFIX MEETS EUROPEAN UNION DIRECTIVES AND OTHER COUNTRY REGULATIONS AS DESCRIBED IN GS -22-008.
 - THE HOUSING WILL WITHSTAND EXPOSURE TO 260 DEGREE PEAK TEMPERATURE FOR 10 SECONDS IN A WAVE SOLDER APPLICATION WITH A 1.6mm MINIMUM THICK CIRCUIT BOARD.

mat'l. code SEE NOTE 2		tolerances unless otherwise specified		CUSTOMER COPY		ELECTRONICS www.fciconnect.com	
ltr	ecn no	dr	date	linear	projection	title	
H	005-0357	Clu	050927		1st angle	R.A. RECEPTACLE	
C	H20755	DAN	921124	angles	mm	MINI-POWER/COAX HEAT STAKE	
D	H40355	DOB	940616	dr		product family	
E	H50047	RVI	950119	eng		CENTRAL (tm)	
F	H80710	DOB	981023	chr		code	213
G	H90489	HME	990816	app		sheet	1 of 2
sheet	revision	H	H	scale	5:1	70244	
Indx	shes	1	2	size	A2	1 of 2	

PRODUCT NUMBER 70244-102LF

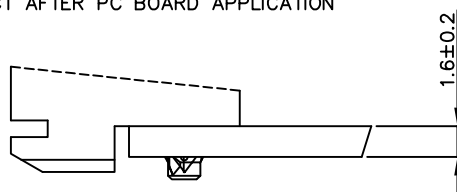


RECOMMENDED HOLE PATTERN,
COMPONENT SIDE.
MINI-POWER



RECOMMENDED HOLE PATTERN,
COMPONENT SIDE.
MINI-COAX

PRODUCT AFTER PC BOARD APPLICATION



NOTE:

- INDICATED HOLES ARE UNPLATED.
- MATERIAL:
LIQUID CRYSTAL POLYMER 30% GLASS
FLAME RETARDANT ACC. UL 94-V0
COLOR NATURAL.
- THIS PRODUCT WITH "LF" SUFFIX MEETS EUROPEAN UNION DIRECTIVES AND OTHER COUNTRY REGULATIONS AS DESCRIBED IN GS -22-008.
- THE HOUSING WILL WITHSTAND EXPOSURE TO 260 DEGREE PEAK TEMPERATURE FOR 10 SECONDS IN A WAVE SOLDER APPLICATION WITH A 1.6mm MINIMUM THICK CIRCUIT BOARD.

mat'l. code SEE NOTE 2		tolerances unless otherwise specified		CUSTOMER COPY		ELECTRONICS	
ltr	ecn no	dr	date	projection		www.fciconnect.com	R.A. RECEPTACLE
H				linear	mm	MINI-POWER/COAX PRESS PEG	
				angles		product family	code
		dr	D. de Bill	940616		TRIAL (tm)	213
		eng	E. Feijen	940616		size	2 of
		chr	E. Feijen	940616	scale	70244	
		app	H. Cozijnans	950119	5:1		
sheet	revision						
Indx	sheet						

PDM: Rev:1

STATUS: Released

Printed: May 19, 2011