



Chipsmall Limited consists of a professional team with an average of over 10 year of expertise in the distribution of electronic components. Based in Hongkong, we have already established firm and mutual-benefit business relationships with customers from,Europe,America and south Asia,supplying obsolete and hard-to-find components to meet their specific needs.

With the principle of "Quality Parts,Customers Priority,Honest Operation,and Considerate Service",our business mainly focus on the distribution of electronic components. Line cards we deal with include Microchip,ALPS,ROHM,Xilinx,Pulse,ON,Everlight and Freescale. Main products comprise IC,Modules,Potentiometer,IC Socket,Relay,Connector.Our parts cover such applications as commercial,industrial, and automotives areas.

We are looking forward to setting up business relationship with you and hope to provide you with the best service and solution. Let us make a better world for our industry!



## Contact us

Tel: +86-755-8981 8866 Fax: +86-755-8427 6832

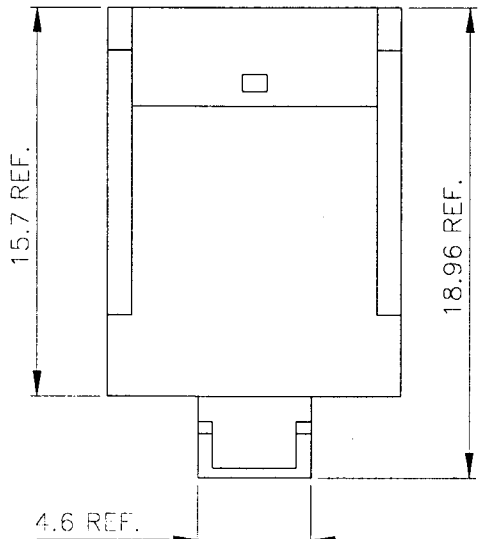
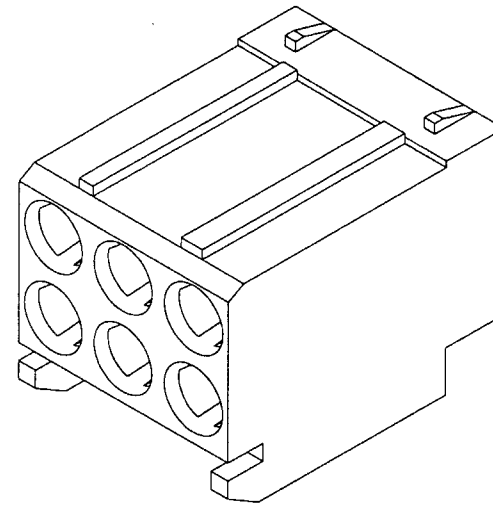
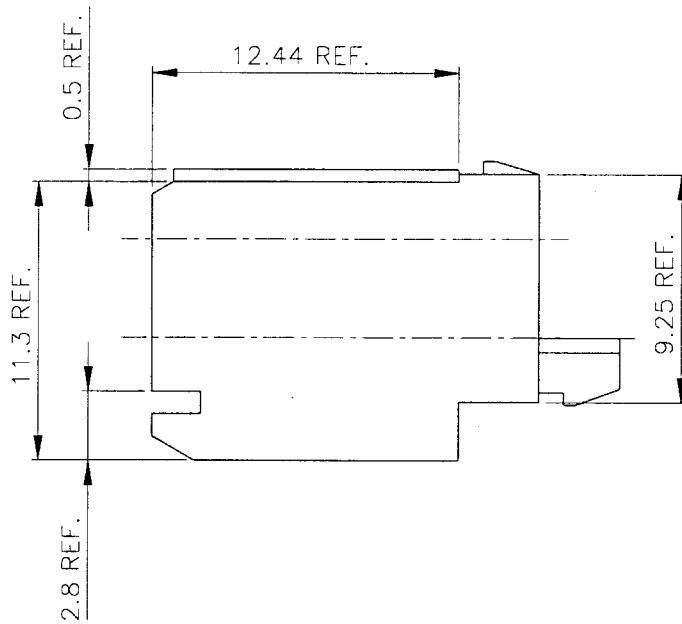
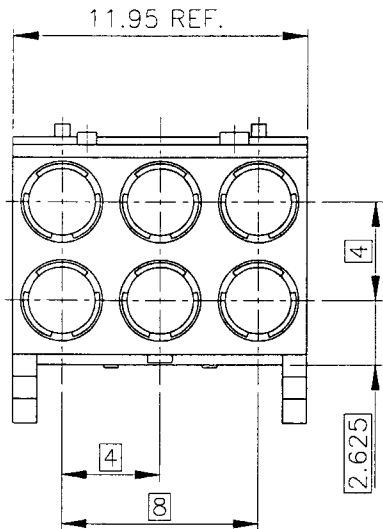
Email & Skype: info@chipsmall.com Web: www.chipsmall.com

Address: A1208, Overseas Decoration Building, #122 Zhenhua RD., Futian, Shenzhen, China



All rights reserved. Reproduction in whole or in part without the prior written permission of FCI is prohibited.  
 Alle rechten voorbehouden. Het verspreiden van dit document of het kopiëren daarvan is zonder schriftelijke toestemming van FCI niet toegestaan.  
 FCI

PRODUCT NUMBER 70245-101



NOTES:

- 1 MATERIAL:  
THERMOPL. POLYESTER 30% GLASS  
FLAME RETARDANT ACC. UL 98-V0  
COLOR NATURAL.
- 2 DIMENSIONS ARE FOR REFERENCE ONLY.

mat'l. code SEE NOTE 1		tolerances unless otherwise specified		CUSTOMER COPY	 ELECTRONICS www.fciconnect.com
lfr	ecn no	dr	date	projection	
A	H10290	DAN	910813	 mm	CABLE CONN. MINICOAX/PWR HSG 3x2
B	H10402	HBO	911212		
C	H80273	AEN	980526	scale	product family
D	H90489	HME	990816	5:1	METRAL (TM)
sheet		revision	D	code	
index		sheet	1	213	
				size	dwg no
				A3	70245
				sheet	
				1 of 1	