



Chipsmall Limited consists of a professional team with an average of over 10 year of expertise in the distribution of electronic components. Based in Hongkong, we have already established firm and mutual-benefit business relationships with customers from,Europe,America and south Asia,supplying obsolete and hard-to-find components to meet their specific needs.

With the principle of “Quality Parts,Customers Priority,Honest Operation,and Considerate Service”,our business mainly focus on the distribution of electronic components. Line cards we deal with include Microchip,ALPS,ROHM,Xilinx,Pulse,ON,Everlight and Freescale. Main products comprise IC,Modules,Potentiometer,IC Socket,Relay,Connector.Our parts cover such applications as commercial,industrial, and automotives areas.

We are looking forward to setting up business relationship with you and hope to provide you with the best service and solution. Let us make a better world for our industry!



## Contact us

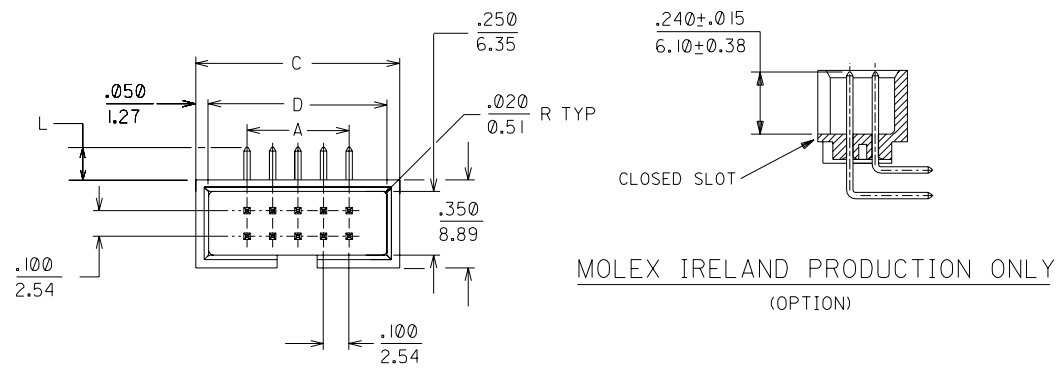
Tel: +86-755-8981 8866 Fax: +86-755-8427 6832

Email & Skype: info@chipsmall.com Web: www.chipsmall.com

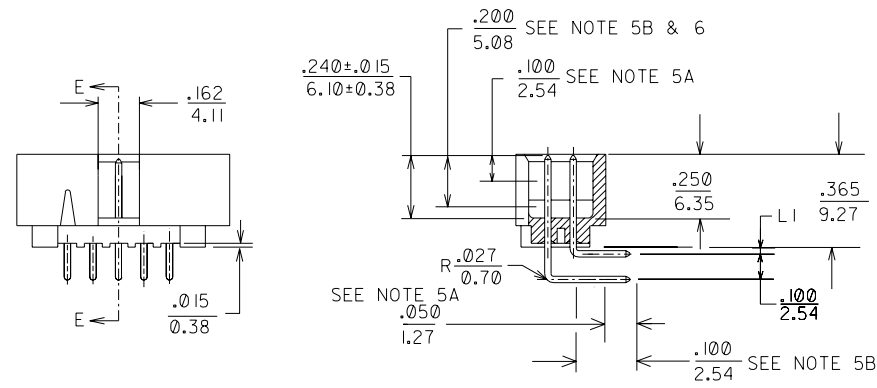
Address: A1208, Overseas Decoration Building, #122 Zhenhua RD., Futian, Shenzhen, China



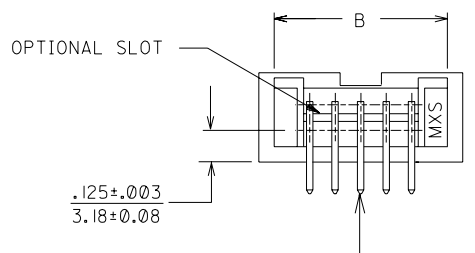
DWG. NO. SDA 70247-\*\*-00-04  
CAD FILE S7024700.DGN



MOLEX IRELAND PRODUCTION ONLY  
(OPTION)

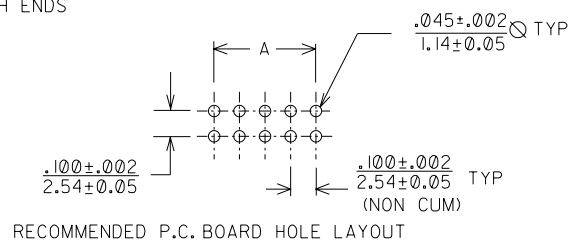


SECTION E-E



△ PART NO	L	LI
70247-**-34		
70247-**-00		
70247-**-01	.120	0
70247-**-02	3.05	
70247-**-03		
70247-**-04		

AT TIP BOTH ENDS



PART NO.	CKT SIZE	A	B	C	D
70247-08**	08	0.300/7.62	0.580/14.73	0.700/17.78	0.600/15.24
70247-10**	10	0.400/10.16	0.680/17.27	0.800/20.32	0.700/17.78
70247-12**	12	0.500/12.70	0.780/19.81	0.900/22.86	0.800/20.32
70247-14**	14	0.600/15.24	0.880/22.35	1.000/25.40	0.900/22.86
70247-16**	16	0.700/17.78	0.980/24.89	1.100/27.94	1.000/25.40
70247-20**	20	0.900/22.86	1.180/29.97	1.300/33.02	1.200/30.48
70247-24**	24	1.100/27.94	1.380/35.05	1.500/38.10	1.400/35.56
70247-26**	26	1.200/30.48	1.480/37.59	1.600/40.64	1.500/38.10
70247-30**	30	1.400/35.56	1.680/42.67	1.800/45.72	1.700/43.18
70247-34**	34	1.600/40.64	1.880/47.75	2.000/50.80	1.900/48.26
70247-40**	40	1.900/48.26	2.180/55.37	2.300/58.42	2.200/55.88
70247-44**	44	2.100/53.34	2.380/60.45	2.500/63.50	2.400/60.96
70247-48**	48	2.300/58.42	2.580/65.53	2.700/68.58	2.600/66.04
70247-50**	50	2.400/60.96	2.680/68.07	2.800/71.12	2.700/68.58
70247-56**	56	2.700/68.58	2.980/75.69	3.100/78.74	3.000/76.20
70247-60**	60	2.900/73.66	3.180/80.77	3.300/83.82	3.200/81.28
70247-64**	64	3.100/78.74	3.380/85.85	3.500/88.90	3.400/86.36
70247-72**	72	3.500/88.90	3.780/96.01	3.900/99.06	3.800/96.52

- NOTES:
- PIN PUSHOUT FORCE (.9072KG)/2LBS MIN.
  - PIN SOLDERABILITY PER MOLEX SPEC. ES-152
  - PRODUCT SPEC: PS-70246 APPLIES.
  - WAFER TO BE FLAT WITHIN (0.03MM/CM) 0.0031IN/IN
  - DIMENSIONS FOR PLATING LOCATION : A-MEASURE POINT FOR THICKNESS. B-MINIMUM COVERAGE
  - GOLD END OF PIN UNLESS OVERALL PLATED.
  - △ FINISH : ALL WITH 50uin MIN NICKEL UNDERPLATE OVERALL.
    - \*\*00 - 20uin MIN AU & 100uin MIN TIN IN SELECTED AREAS.
    - \*\*01 - 15uin MIN AU & 75uin MIN TIN IN SELECTED AREAS.
    - \*\*02 - 30uin MIN AU & 75uin MIN TIN IN SELECTED AREAS.
    - \*\*03 - 200uin MIN TIN
    - \*\*04 - 5uin MIN AU & 75uin MIN TIN IN SELECTED AREAS.
    - \*\*34 - 5uin MIN AU OVER 40uin MIN PD/Ni (80/20) & 100uin TIN IN SELECTED AREAS.
  - △ CHECK WITH SALES OFFICE FOR AVAILABILITY.

INCH  
MM

F	LEAD-FREE CONVERSION AS PER ECN NO. S2004-0489	-	RAVESH-PTL/IM	040319	MATERIAL : PINS: .025 S0.260 BRASS WAFER: 15% G.F.PBT	MOLEX SINGAPORE PTE LTD SHEET 1 OF 1
E2	ADD IN SHANNON CLOSED SLOT VERSION (ECN# S2004-0491)	-	SEE LING	040224		
E1	CHG PART NO FORMAT TO 70247-**-** (ECN# S2000-0383)	-	SEE TOH	000412		
E	REVISED PER (ECN# S30055)	-	JACK ANG	920811	FINISH : SEE NOTE 7	GENERAL TOLERANCES ± 0.20/.008 REV F
D	RTM 48 CKT (ECN# S2124)	-	ANG ROY	910909		
C	CHG PINS PER (ECN# S1630)	-	ANG ROY	910513		
LTR	REVISION RECORD	ECN	DR CHK	DATE	DRAWN BY JENNIFER 210987	CHK'D BY MAX LAI 901214
REVISE ONLY ON CAD SYSTEM					APPR'D BY ALAN B 210987	SCALE 2:1

DO NOT SCALE DRAWING