



Chipsmall Limited consists of a professional team with an average of over 10 year of expertise in the distribution of electronic components. Based in Hongkong, we have already established firm and mutual-benefit business relationships with customers from,Europe,America and south Asia,supplying obsolete and hard-to-find components to meet their specific needs.

With the principle of “Quality Parts,Customers Priority,Honest Operation,and Considerate Service”,our business mainly focus on the distribution of electronic components. Line cards we deal with include Microchip,ALPS,ROHM,Xilinx,Pulse,ON,Everlight and Freescale. Main products comprise IC,Modules,Potentiometer,IC Socket,Relay,Connector.Our parts cover such applications as commercial,industrial, and automotives areas.

We are looking forward to setting up business relationship with you and hope to provide you with the best service and solution. Let us make a better world for our industry!



Contact us

Tel: +86-755-8981 8866 Fax: +86-755-8427 6832

Email & Skype: info@chipsmall.com Web: www.chipsmall.com

Address: A1208, Overseas Decoration Building, #122 Zhenhua RD., Futian, Shenzhen, China



PRELIMINARY

Product Overview

The 7027 "BuckToot" LED Power Module is a true constant-current regulated driver for LEDs. Unlike standard power supplies, which deliver a fixed voltage to the output, the BuckToot LED driver is designed to reliably vary the output voltage as required to deliver a stable constant current to the LED(s). The BuckToot exhibits very high efficiency and does not require external current limiting resistors or additional heat sinking.

The extremely small form-factor of the 7027 BuckToot makes it the ideal choice for many MR-11 and MR-16 integration applications since it can easily be incorporated into the housing assembly. Fully potted and sealed from harsh environments, the BuckToot measures only 10mm diameter x 19mm long* and is supplied with 150mm 24AWG colored leads. Custom sizes can be created to meet customer requirements. Contact LuxDrive for more information.



7027 BuckToot LED Driver Module powering (6) Luxeon I LEDs in series ($V_m \geq 24V$)

Features

- DC input power up to 28V surge protected
- True constant current output
- Extremely small form-factor* (10mm diameter x 19mm length)
- Output open and short circuit protection



Figure 1.
Wiring Connections

Typical Applications

- Solar & Landscape Lighting
- Architectural Lighting
- Track Lighting
- Automotive & Marine Lighting
- Portable Lighting & Flashlights
- Point of Purchase Lighting
- Desk & Reading Lamps
- Signal & Marker Lighting
- Cabinet & Display Case Lighting
- Sign & Channel Letters
- Much More...

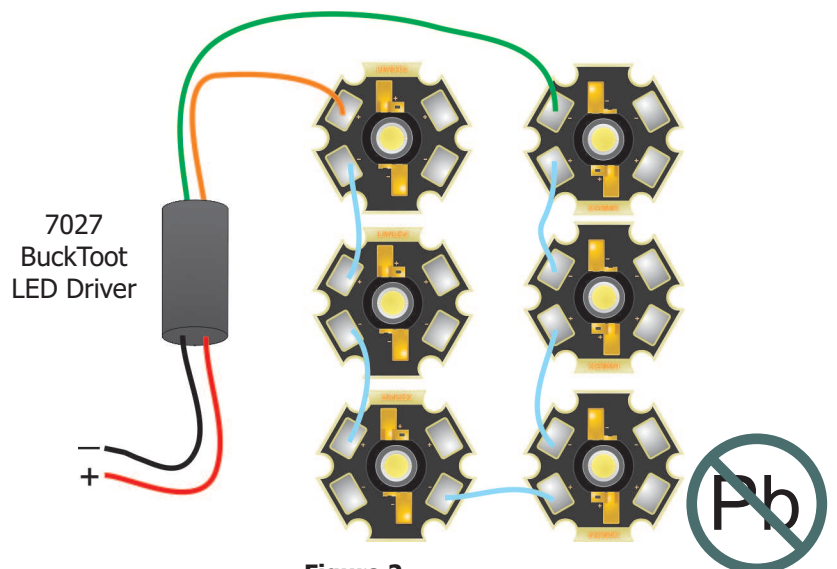


Figure 2.
BuckToot shown powering (6) Luxeon I LEDs in series ($V_{IN} = 24VDC$)



* - Units can be customized for OEM applications - Contact LuxDrive for more information

PRELIMINARY

Part Number Identification Table

<i>Part Number</i>	<i>Input</i>	<i>Output Current</i>
7027-D-350	5-28 Volts DC	350mA

*Other currents available by special order.

Absolute Maximum Ratings

Input Voltage 28V DC

Typical Characteristics

Output current tolerance (within specified temp. range) . . ±10%
 Efficiency Up to 94%
 Input Voltage Minimum 5V_{DC}
 Input Margin (Vin - Vout) 2V_{DC}
 Ripple Current 15%

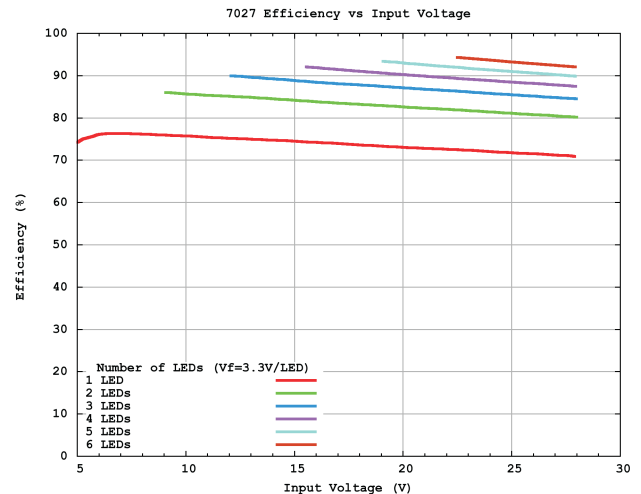


Figure 3.
Efficiency vs. Vin

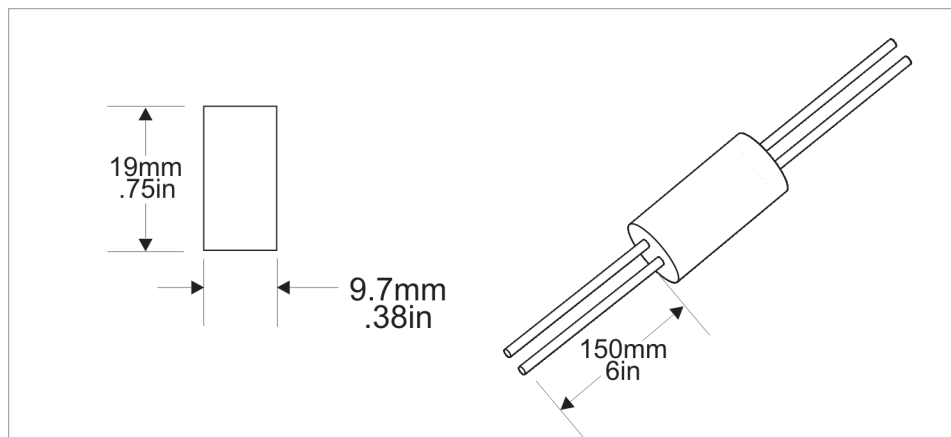
Specifications

Output current, 7027-D-xxx 350mA

Allowable case operating temperature -40-+85°C

Storage temperature -40-+125°C

Physical Dimensions



Shown approximately actual size

