



Chipsmall Limited consists of a professional team with an average of over 10 year of expertise in the distribution of electronic components. Based in Hongkong, we have already established firm and mutual-benefit business relationships with customers from,Europe,America and south Asia,supplying obsolete and hard-to-find components to meet their specific needs.

With the principle of "Quality Parts,Customers Priority,Honest Operation,and Considerate Service",our business mainly focus on the distribution of electronic components. Line cards we deal with include Microchip,ALPS,ROHM,Xilinx,Pulse,ON,Everlight and Freescale. Main products comprise IC,Modules,Potentiometer,IC Socket,Relay,Connector.Our parts cover such applications as commercial,industrial, and automotives areas.

We are looking forward to setting up business relationship with you and hope to provide you with the best service and solution. Let us make a better world for our industry!



## Contact us

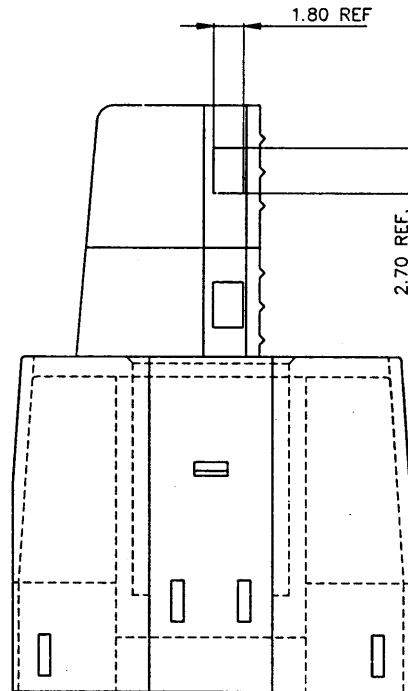
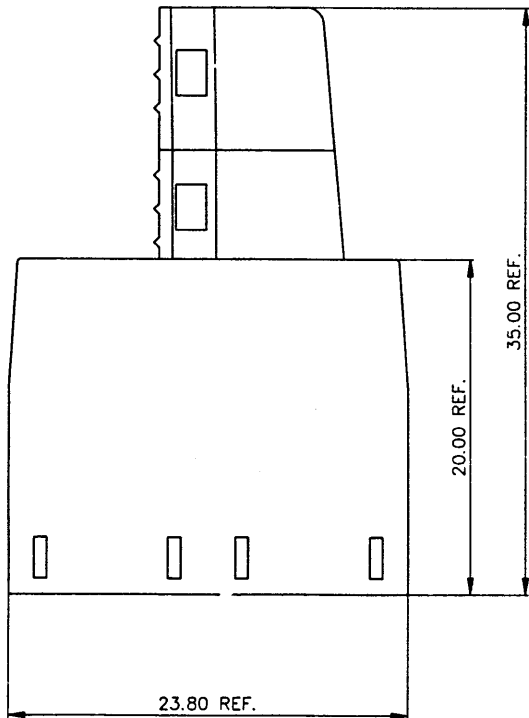
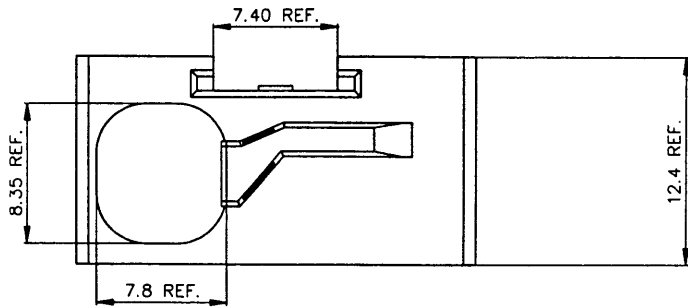
Tel: +86-755-8981 8866 Fax: +86-755-8427 6832

Email & Skype: info@chipsmall.com Web: www.chipsmall.com

Address: A1208, Overseas Decoration Building, #122 Zhenhua RD., Futian, Shenzhen, China



PRODUCT NUMBER 70283-001



NOTES:

- MATERIAL: THERMOPLASTIC POLYESTER 30% GLASS FILLED.  
COLOR: BLACK.  
FLAME RETARDANT ACCORDING UL-94-V0.
- CABLE CONNECTOR COVER TO BE USED WITH TERMINAL BLOCK 70288-X0Y.

mail. code		SEE NOTE 1		tolerances unless otherwise specified		CUSTOMER COPY		<b>BERG</b> ELECTRONICS	
lfr	ecn no	of	date	linear	projection	title		COVER	
A	H90044	AVZ	900130			CABLE CONN. 24MM.			
B	H00801	AVZ	910204						
C	H40073	HBO	940201	angles					
		of	A.van Zanten	900130	mm	product family	METRAL (lm)	code	213
		of	H.Bouwknegt	940201	←	size	chg no	sheet	1 of 1
		of	A.van Zanten	900130	scale	A2	70283		
		of	H.van Woensel	900130	5:1				
sheet index	revision	sheet	1						