



Chipsmall Limited consists of a professional team with an average of over 10 year of expertise in the distribution of electronic components. Based in Hongkong, we have already established firm and mutual-benefit business relationships with customers from,Europe,America and south Asia,supplying obsolete and hard-to-find components to meet their specific needs.

With the principle of "Quality Parts,Customers Priority,Honest Operation,and Considerate Service",our business mainly focus on the distribution of electronic components. Line cards we deal with include Microchip,ALPS,ROHM,Xilinx,Pulse,ON,Everlight and Freescale. Main products comprise IC,Modules,Potentiometer,IC Socket,Relay,Connector.Our parts cover such applications as commercial,industrial, and automotives areas.

We are looking forward to setting up business relationship with you and hope to provide you with the best service and solution. Let us make a better world for our industry!



Contact us

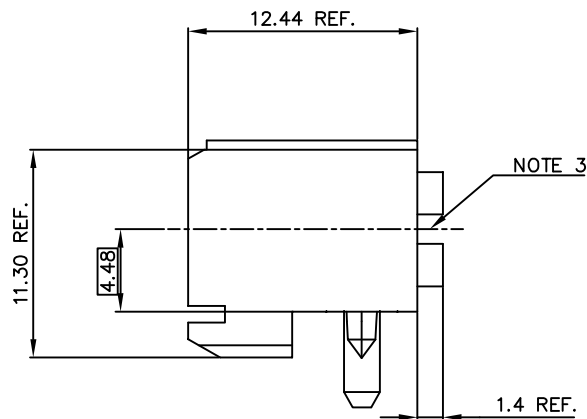
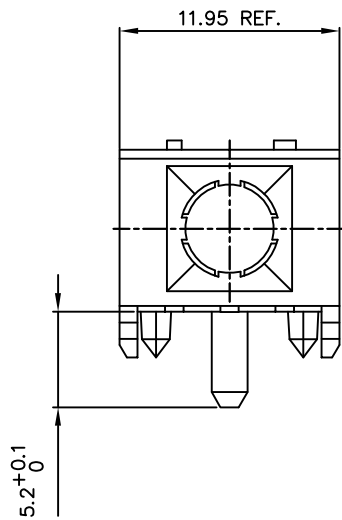
Tel: +86-755-8981 8866 Fax: +86-755-8427 6832

Email & Skype: info@chipsmall.com Web: www.chipsmall.com

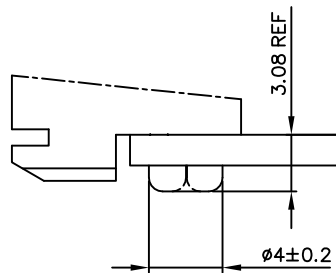
Address: A1208, Overseas Decoration Building, #122 Zhenhua RD., Futian, Shenzhen, China



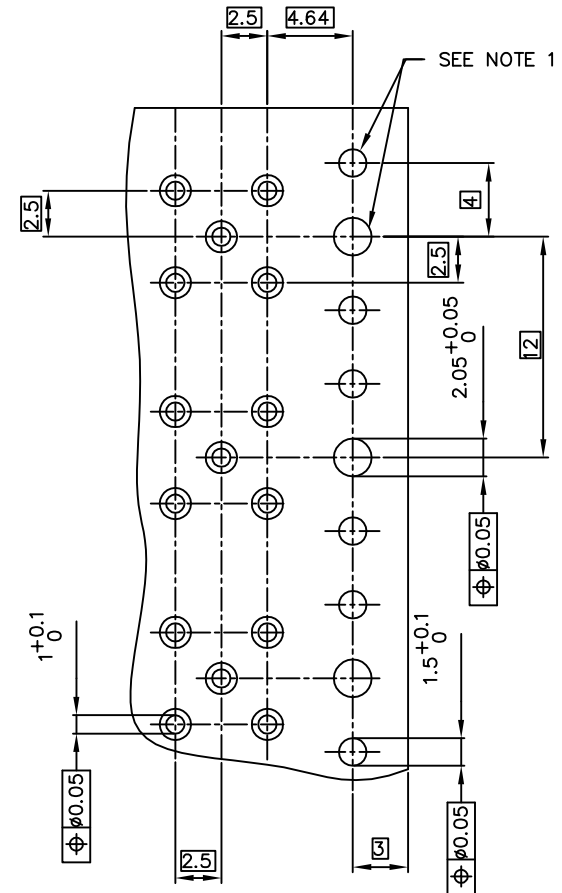
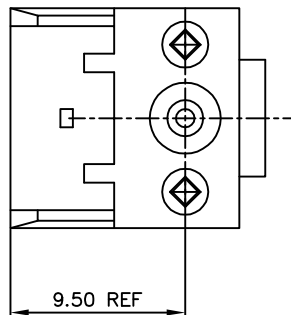
PRODUCT NR	PCB THICKNESS
70292-101LF	1.6 & 2.4



ASSEMBLY AFTER HOT RIVETTING.



PC BOARD THICKNESS ± 0.20
SEE TABLE



RECOMMENDED HOLE PATTERN,
COMPONENT SIDE.

NOTE:

- 1 INDICATED HOLES ARE UNPLATED.
- 2 MATERIAL: LIQUID CRYSTAL POLYMER 30% GLASS, FLAME RETARDANT ACC. UL 94-V0 COLOR NATURAL.
- 3 SLOT OPTIONAL
- 4 THIS PRODUCT WITH "LF" SUFFIX MEETS EUROPEAN UNIDIRECTIVES AND OTHER COUNTRY REGULATIONS AS DESCRIBED IN GS -22-008.
- 5 THE HOUSING WILL WITHSTAND EXPOSURE TO 260 DEGREE PEAK TEMPERATURE FOR 10 SECONDS IN A WAVE SOLDER APPLICATION WITH A 1.6mm MINIMUM THICK CIRCUIT BOARD.

mat'l. code SEE NOTE 2		tolerances unless otherwise specified		CUSTOMER COPY		ELECTRONICS www.fciconnect.com	
ltr	ecn no	dr	date	linear	projection	title	product family
H	005-0357	Clu	050927				
C	H20409	SLE	920809	angles	mm	size	dwg no
D	H20570	DAN	920911	dr			
E	H50663	RVI	951102	eng	P.Schalk	951102	213
F	H90490	HME	990816	chr	A.v.Zanten	891212	sheet
G	V00285	LLA	000217	app	H.v.Woensel	891212	1 of 1
sheet	revision	H					
Indx	sheet	1					

PDM: Rev:11

STATUS: Released

Printed: May 19, 2011