



Chipsmall Limited consists of a professional team with an average of over 10 year of expertise in the distribution of electronic components. Based in Hongkong, we have already established firm and mutual-benefit business relationships with customers from,Europe,America and south Asia,supplying obsolete and hard-to-find components to meet their specific needs.

With the principle of “Quality Parts,Customers Priority,Honest Operation,and Considerate Service”,our business mainly focus on the distribution of electronic components. Line cards we deal with include Microchip,ALPS,ROHM,Xilinx,Pulse,ON,Everlight and Freescale. Main products comprise IC,Modules,Potentiometer,IC Socket,Relay,Connector.Our parts cover such applications as commercial,industrial, and automotives areas.

We are looking forward to setting up business relationship with you and hope to provide you with the best service and solution. Let us make a better world for our industry!



## Contact us

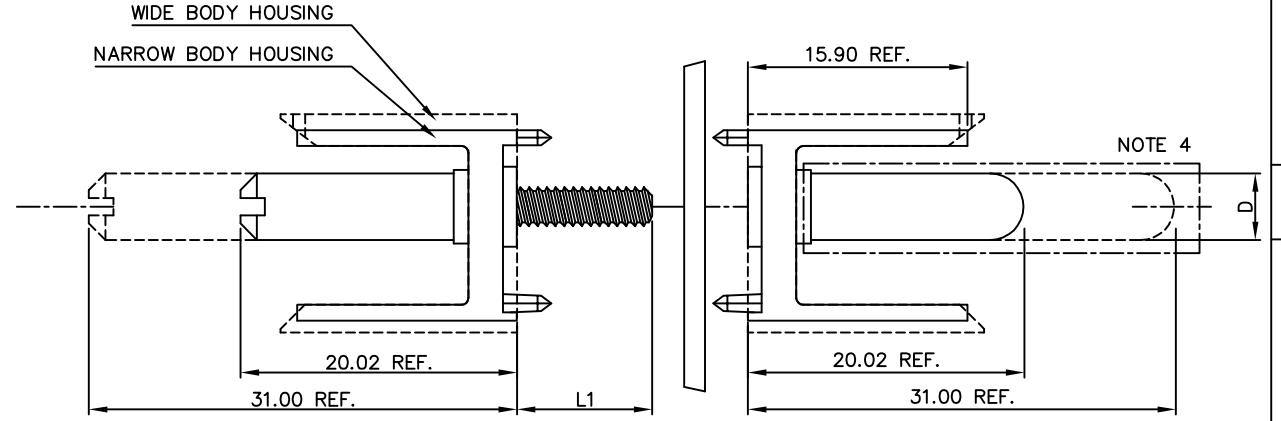
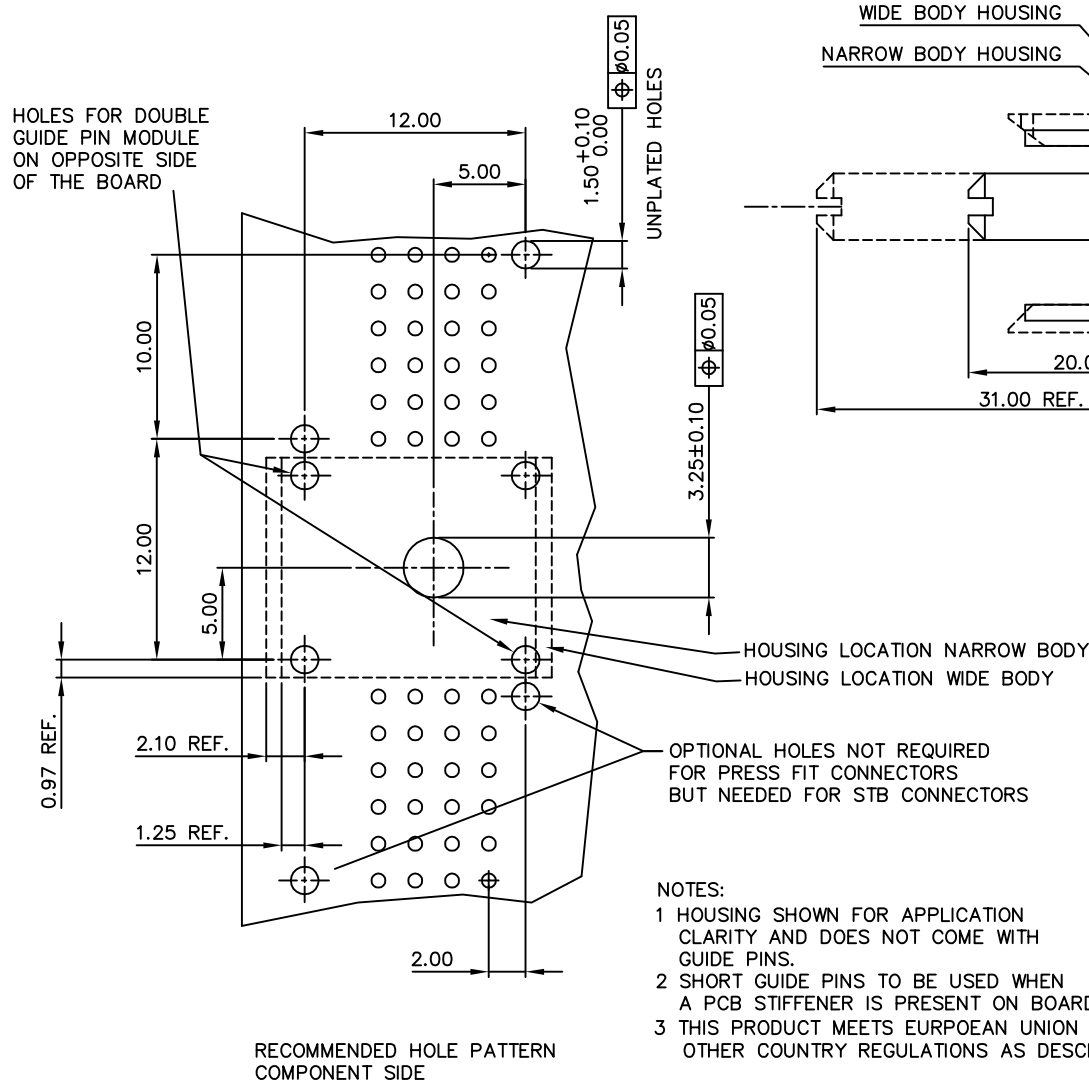
Tel: +86-755-8981 8866 Fax: +86-755-8427 6832

Email & Skype: info@chipsmall.com Web: www.chipsmall.com

Address: A1208, Overseas Decoration Building, #122 Zhenhua RD., Futian, Shenzhen, China



PRODUCT NUMBER	DESCRIPTION	D	L1	L2
70295-001LF	SHORT SINGLE GUIDE PIN WITH COMBO PAN HEAD SCREW	4.57		12.7
70295-002LF	LONG SINGLE GUIDE PIN WITH COMBO PAN HEAD SCREW	4.57		12.7
70295-003LF	SHORT DOUBLE GUIDE PIN	4.57	12.7	
70295-004LF	LONG DOUBLE GUIDE PIN	4.57	12.7	
70295-007LF	LONG DOUBLE GUIDE PIN FOR PCB 10mm THICKNESS	4.57	14.7	
70295-008LF	SHORT SINGLE GUIDE PIN WITH COMBO PAN HEAD SCREW DIAMETER GUIDE PIN REDUCED TO 4.2 mm	4.2		12.7



- NOTES:
- 1 HOUSING SHOWN FOR APPLICATION CLARITY AND DOES NOT COME WITH GUIDE PINS.
  - 2 SHORT GUIDE PINS TO BE USED WHEN A PCB STIFFENER IS PRESENT ON BOARD.
  - 3 THIS PRODUCT MEETS EUROPEAN UNION DIRECTIVES AND OTHER COUNTRY REGULATIONS AS DESCRIBED IN GS-22-008

mat'l. code		tolerances unless otherwise specified		CUSTOMER COPY		ELECTRONICS	
ltr	ecm no dr date	linear		projection	title		
M	0005-0320 CLU 050907			$\phi$	GUIDE PIN ASSEMBLY 12 mm		
G	HC8058 DDB 981027	angles		mm	product family	ETRAL(tm)	code
H	H90222 HME 990323	dr	STU STONER 901026		size	dwg no	213
J	H90251 HME 990407	eng	STU STONER 901026	scale	70295		
K	HC9018 DDB 990727	chr	P SCHALK 950928	5:1	sheet 1 of 1		
L	H00023 LLA 000117	app	D ANDREWS 910315				
sheet	revision						
Index	sheet						