



Chipsmall Limited consists of a professional team with an average of over 10 year of expertise in the distribution of electronic components. Based in Hongkong, we have already established firm and mutual-benefit business relationships with customers from,Europe,America and south Asia,supplying obsolete and hard-to-find components to meet their specific needs.

With the principle of “Quality Parts,Customers Priority,Honest Operation,and Considerate Service”,our business mainly focus on the distribution of electronic components. Line cards we deal with include Microchip,ALPS,ROHM,Xilinx,Pulse,ON,Everlight and Freescale. Main products comprise IC,Modules,Potentiometer,IC Socket,Relay,Connector.Our parts cover such applications as commercial,industrial, and automotives areas.

We are looking forward to setting up business relationship with you and hope to provide you with the best service and solution. Let us make a better world for our industry!



Contact us

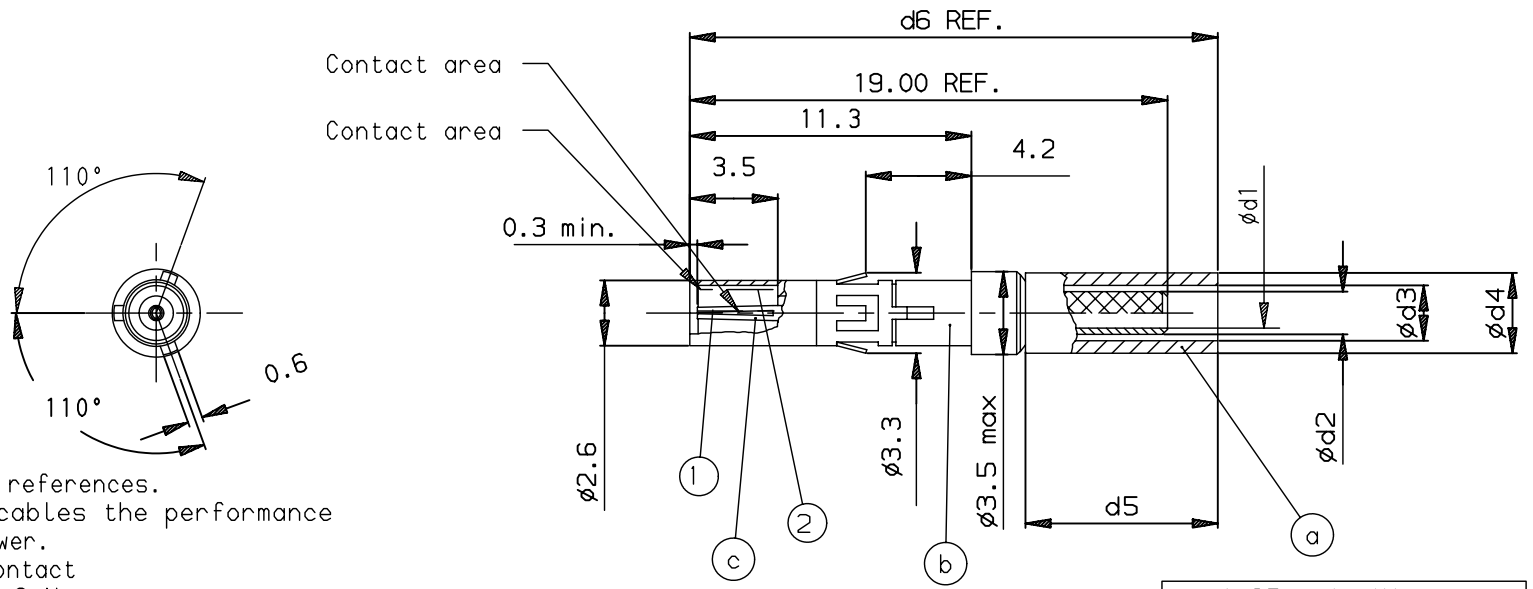
Tel: +86-755-8981 8866 Fax: +86-755-8427 6832

Email & Skype: info@chipsmall.com Web: www.chipsmall.com

Address: A1208, Overseas Decoration Building, #122 Zhenhua RD., Futian, Shenzhen, China



LEAD-FREE P/N	CABLES	∅d1	∅d2	∅d3	∅d4	d5	d6	Remarks
70297-001LF	RG 178B/U, RG196A/U TZC_50126	1.10	1.70	2.20	3.20	7.8	21.00	
70297-002LF	RG188A/U, RG174A/U, RG316/U	1.70	2.50	2.90	3.60	9.0	22.20	
70297-004LF	TZC_75106 (GORE CABLE) 75ohm	1.30	2.00	2.50	3.20	7.8	21.00	see note 2
70297-005LF	RG 179 75ohm	1.70	2.50	2.90	3.60	9.0	22.20	see note 2
70297-006LF	FILOTEX CABLE ALCATEL	1.30	2.00	2.50	3.20	7.8	21.00	see note 2



1.27µm Au Min.
Positions 1&2
Plating on contact area

- NOTES:
- All dimensions shown are references.
 - When used with 75 ohm cables the performance of the contact will be lower.
 - Pull out for of center contact must be 0.1 N min. / 0.8 N max.
 - This product will be packed in a small plastic bag containing three lose parts, as follows.
 - Crimp Ferrule
 - Outer Contact
 - Inner Contact
 - Assemble product with tool HT430, use inserts EPL 193460 or EPL 193428.
 - THIS PRODUCT WITH "LF" SUFFIX MEETS EUROPEAN UNION DIRECTIVES AND OTHER COUNTRY REGULATIONS AS DESCRIBED IN GS -22-008.
 - THE PRODUCT IS NOT INTENDED TO BE EXPOSED TO A MANUFACTURING SOLDER PROCESS.
 - PACKAGING SPEC: SEE GS-14-920

rev	ecn no	dr	date
J	LS06-0022	LGO	2006/03/04
K	LS07-0214	LGO	2007/08/20
L	LS07-0249	LGO	2007/10/02
-	-	-	-
-	-	-	-
-	-	-	-
-	-	-	-

www.fciconnect.com		surface ISO 1302 ✓	tolerance std ISO 406 ISO 1101	projection mm
TOLERANCES UNLESS OTHERWISE SPECIFIED				
Dr	GOISNARD	2006/03/04	ANGULAR	0.X ±0.1
Eng	GOISNARD	2006/03/04	LINEAR	0.XX ±0.1
Chr	LEGARE	2006/03/04	0.XX' ±2'	0.XXX ±0.1
Appr	LEGARE	2006/03/04	Product family	METRAL
title CRIMP TO CABLE			size A3	
RECEPTACLE MINI COAX			Scale 5	
catalog no			ECN LS07-0249	
dwg no 70297			Spec ref -	
CUSTOMER			sheet 1 of 1	

Copyright FCI. FCI