



Chipsmall Limited consists of a professional team with an average of over 10 year of expertise in the distribution of electronic components. Based in Hongkong, we have already established firm and mutual-benefit business relationships with customers from,Europe,America and south Asia,supplying obsolete and hard-to-find components to meet their specific needs.

With the principle of “Quality Parts,Customers Priority,Honest Operation,and Considerate Service”,our business mainly focus on the distribution of electronic components. Line cards we deal with include Microchip,ALPS,ROHM,Xilinx,Pulse,ON,Everlight and Freescale. Main products comprise IC,Modules,Potentiometer,IC Socket,Relay,Connector.Our parts cover such applications as commercial,industrial, and automotives areas.

We are looking forward to setting up business relationship with you and hope to provide you with the best service and solution. Let us make a better world for our industry!



## Contact us

Tel: +86-755-8981 8866 Fax: +86-755-8427 6832

Email & Skype: info@chipsmall.com Web: www.chipsmall.com

Address: A1208, Overseas Decoration Building, #122 Zhenhua RD., Futian, Shenzhen, China



# Series 04

## Characteristics

The modular 22.5 mm Series 04 is especially suited for:

- Flush design
- Raised design

The modular design caters to a broad range of applications and combinations.

Owing to its robust, user-friendly design, this series is ideally suited for rail vehicles.

## Functions

The Series 04 incorporates the following functions:

- Indicator
- Pushbutton
- Illuminated pushbutton
- E-STOP switch
- Stop switch
- Mushroom-head pushbutton
- Key lock switch
- Key insert switch
- Selector switch
- Lever switch
- Potentiometer

## Market segments

The EAO Series 04 is especially suited for applications in the segments:

- Public transportation
- Machinery and Automation
- Construction machines and special-purpose vehicles
- Lifting and moving
- Panel building

Please refer to the EAO website to obtain detailed information regarding this series [www.products.eao.com](http://www.products.eao.com)  
Configure a product to your exact needs and request a quotation.





**Overview****Flush design**

Indicator	4
Flasher	8
Buzzer	12
Pushbutton	13
Illuminated pushbutton	17
Stop switch	21
Mushroom-head pushbutton	22
Keylock switch	23
Selector switch	27
Selector rotary switch	46
Keylock rotary switch	50
Key insert switch	51
Lever switch	54
Potentiometer	55

**Raised design**

Indicator	56
Flasher	66
Buzzer	74
Pushbutton	75
Illuminated pushbutton	80
Emergency-stop switch	85
Stop switch	86
Mushroom-head pushbutton	88
Keylock switch	91
Selector switch	95
Selector rotary switch	114
Potentiometer	118

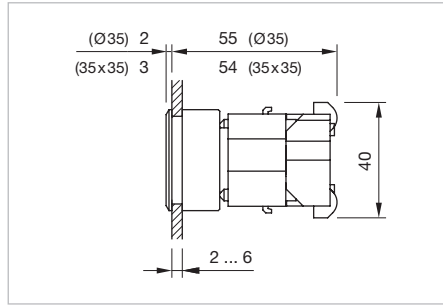
**Accessories 119****Drawings 168****Technical data 169****Marking 179****Application guidelines 184****Index 185**

# 04 Flush design

## Indicator, IP65



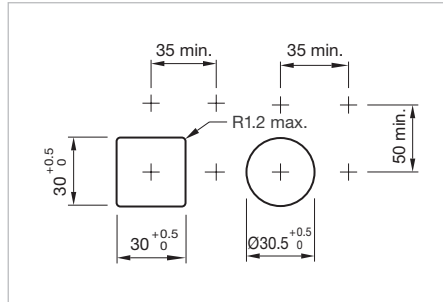
Product can differ from the current configuration.



Dimensions [mm]

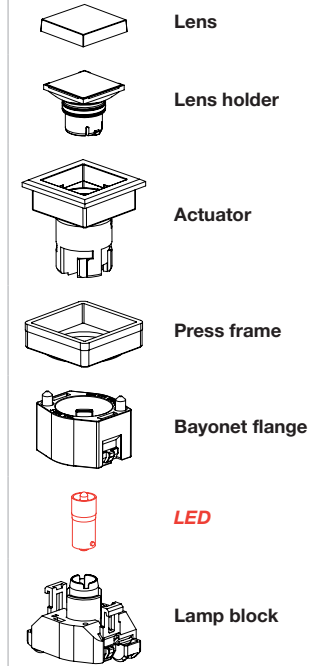
### Additional Information

- Housing plastic black
- The colour of anodized aluminium parts can vary due to technical production reasons





Mounting cut-outs [mm]


### Equipment consisting of (schematic overview)

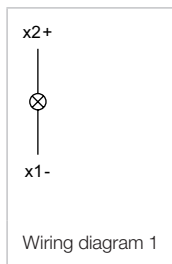


Each Part Number listed below includes all the black components shown in the 3D-drawing.

*To obtain a complete unit, please select the red components from the pages shown.*

Front ring	Front bezel	Lens	Terminal	Part No.	Wiring diagram	Weight
	<b>Indicator actuator, Front dimension 35 x 35 mm</b>					
	Plastic black	Plastic red	Screw	<b>704.206.200</b>	1	0.061 kg
		Plastic yellow	Screw	<b>704.206.400</b>	1	0.061 kg
		Plastic green	Screw	<b>704.206.500</b>	1	0.061 kg
		Plastic blue	Screw	<b>704.206.600</b>	1	0.061 kg
		Plastic colourless	Screw	<b>704.206.700</b>	1	0.061 kg
	<b>Indicator actuator, Front dimension 35 x 35 mm</b>					
	Plastic silver	Plastic red	Screw	<b>704.202.208</b>	1	0.061 kg
		Plastic yellow	Screw	<b>704.202.408</b>	1	0.061 kg
		Plastic green	Screw	<b>704.202.508</b>	1	0.061 kg
		Plastic blue	Screw	<b>704.202.608</b>	1	0.061 kg
		Plastic colourless	Screw	<b>704.202.708</b>	1	0.061 kg

Front ring	Front bezel	Lens	Terminal	Part No.	Wiring diagram	Weight
 <p><b>Indicator actuator, Front dimension Ø 35 mm</b></p>						
Aluminium natural anodized		Plastic red	Screw	<b>704.006.218</b>	1	0.061 kg
		Plastic yellow	Screw	<b>704.006.418</b>	1	0.061 kg
		Plastic green	Screw	<b>704.006.518</b>	1	0.061 kg
		Plastic blue	Screw	<b>704.006.618</b>	1	0.061 kg
		Plastic colourless	Screw	<b>704.006.718</b>	1	0.061 kg

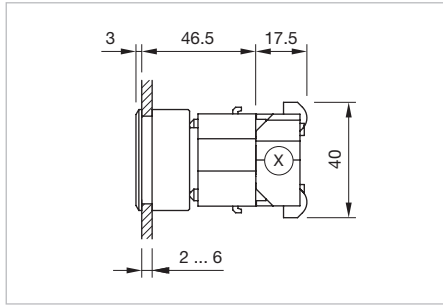


# 04 Flush design

## Indicator square, IP65



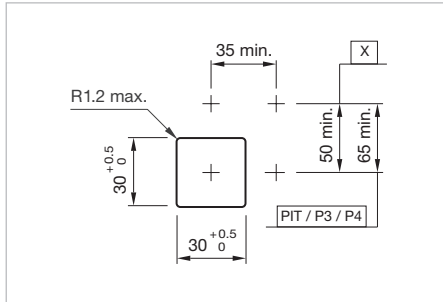
Product can differ from the current configuration.



Dimensions [mm]  
X = Screw terminal

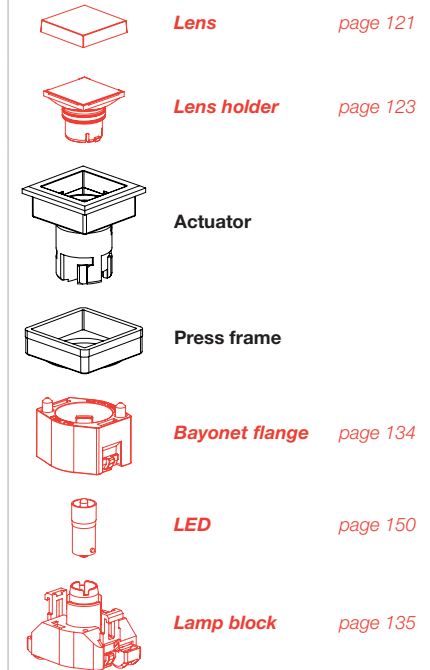
### Additional Information

- Housing plastic black
- Other terminal options from the part lamp block see «Accessories»



Mounting cut-outs [mm]  
PIT = Push-in terminal,  
P3 = Plug-in terminal 6.3 x 0.8 mm,  
P4 = Double plug-in terminal 6.3 x 0.8 mm,  
X = Screw terminal

### Equipment consisting of (schematic overview)



Each Part Number listed below includes all the black components shown in the 3D-drawing.

*To obtain a complete unit, please select the red components from the pages shown.*

Front bezel	Part No.	Weight
 <p><b>Indicator actuator square, flush design, Front dimension 35 x 35 mm</b></p>		
Plastic black	<b>704.743.0</b>	0.020 kg
Plastic silver	<b>704.743.8</b>	0.020 kg

## Indicator round, IP65

### Equipment consisting of (schematic overview)



**Front bezel set** page 126



**Lens** page 121



**Marking plate** page 124



**Actuator**



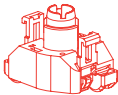
**Part of front bezel set**



**Bayonet flange** page 134



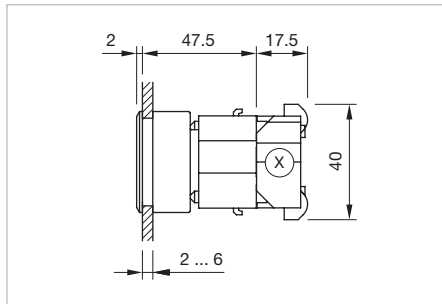
**LED** page 150



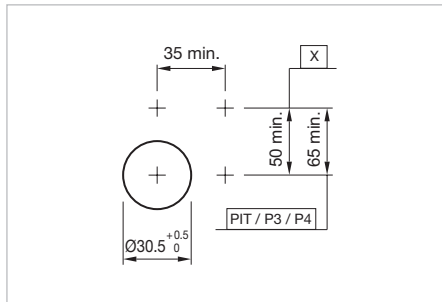
**Lamp block** page 135

Each Part Number listed below includes all the black components shown in the 3D-drawing.

To obtain a complete unit, please select the red components from the pages shown.



Dimensions [mm]  
X = Screw terminal




Mounting cut-outs [mm]  
PIT = Push-in terminal,  
P3 = Plug-in terminal 6.3 x 0.8 mm,  
P4 = Double plug-in terminal 6.3 x 0.8 mm,  
X = Screw terminal



Product can differ from the current configuration.

### Additional Information

- For front dimension  $\varnothing$  35 mm
- Housing plastic grey
- Lens flat or raised possible; equal choose marking plate or marking cap
- Other terminal options from the part lamp block see «Accessories»

Part No.	Weight
 <p><b>Indicator actuator round</b></p>	
704.633.1	0.020 kg

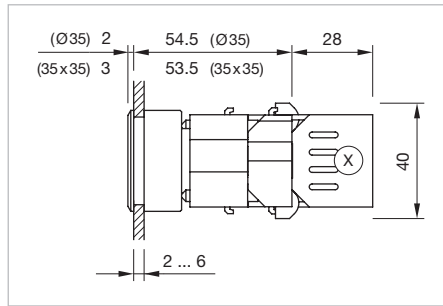


# 04 Flush design

## Flasher, IP65



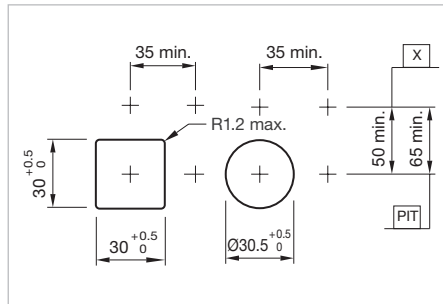
Product can differ from the current configuration.



Dimensions [mm]  
X = Screw terminal

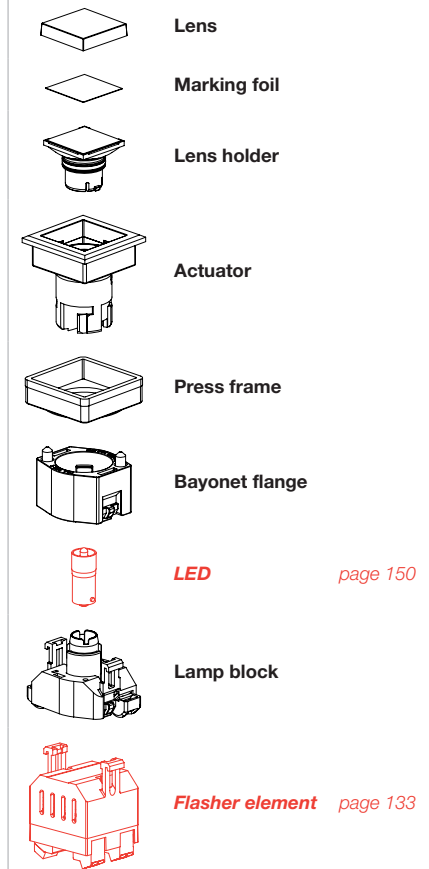
### Additional Information

- Housing plastic black
- The lamp block will be delivered with screw terminal
- Other terminal options of the part flasher element see «Accessories»
- The colour of anodized aluminium parts can vary due to technical production reasons





Mounting cut-outs [mm]  
PIT = Push-in terminal,  
X = Screw terminal


### Equipment consisting of (schematic overview)

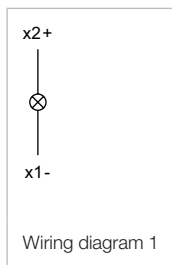


Each Part Number listed below includes all the black components shown in the 3D-drawing.

To obtain a complete unit, please select the red components from the pages shown.

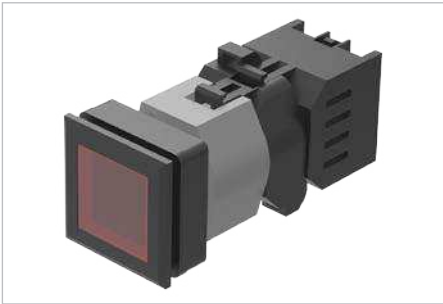
Front ring	Front bezel	Lens	Part No.	Wiring diagram	Weight
 <p><b>Flasher actuator, Front dimension 35 x 35 mm</b></p>	Plastic black	Plastic red	<b>704.206.200</b>	1	0.061 kg
		Plastic yellow	<b>704.206.400</b>	1	0.061 kg
		Plastic green	<b>704.206.500</b>	1	0.061 kg
		Plastic blue	<b>704.206.600</b>	1	0.061 kg
		Plastic colourless	<b>704.206.700</b>	1	0.061 kg
		 <p><b>Flasher actuator, Front dimension 35 x 35 mm</b></p>	Plastic silver	Plastic red	<b>704.202.208</b>
Plastic yellow	<b>704.202.408</b>			1	0.061 kg
Plastic green	<b>704.202.508</b>			1	0.061 kg
Plastic blue	<b>704.202.608</b>			1	0.061 kg
Plastic colourless	<b>704.202.708</b>			1	0.061 kg

Front ring	Front bezel	Lens	Part No.	Wiring diagram	Weight
 <p><b>Flasher actuator, Front dimension Ø 35 mm</b></p>					
Aluminium natural anodized		Plastic red	<b>704.006.218</b>	1	0.061 kg
		Plastic yellow	<b>704.006.418</b>	1	0.061 kg
		Plastic green	<b>704.006.518</b>	1	0.061 kg
		Plastic blue	<b>704.006.618</b>	1	0.061 kg
		Plastic colourless	<b>704.006.718</b>	1	0.061 kg

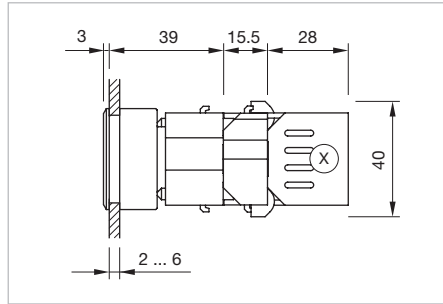


# 04 Flush design

## Flasher square, IP65



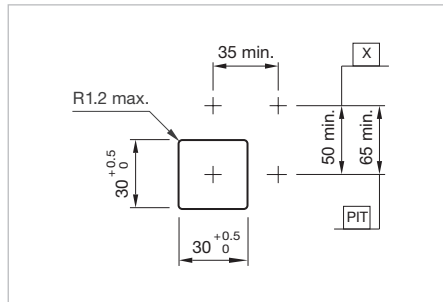
Product can differ from the current configuration.



Dimensions [mm]  
X = Screw terminal

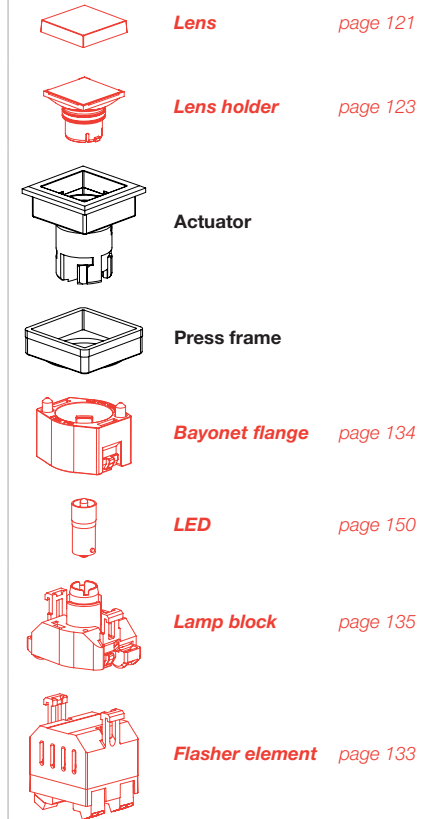
### Additional Information

- Housing plastic black
- Other terminal options from the part flasher element and lamp block see «Accessories»



Mounting cut-outs [mm]  
PIT = Push-in terminal,  
X = Screw terminal

### Equipment consisting of (schematic overview)






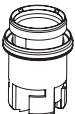

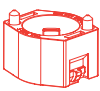

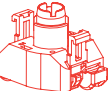
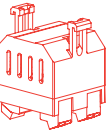
Each Part Number listed below includes all the black components shown in the 3D-drawing.

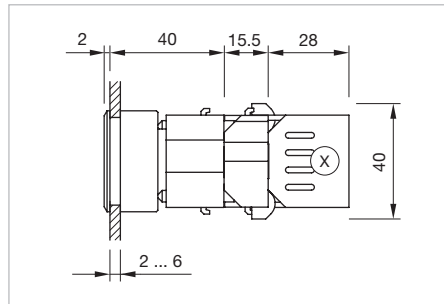
To obtain a complete unit, please select the red components from the pages shown.

Front bezel	Part No.	Weight
 <p><b>Flasher actuator square, Front dimension 35 x 35 mm</b></p>		
Plastic black	<b>704.743.0</b>	0.020 kg
Plastic silver	<b>704.743.8</b>	0.020 kg

## Flasher round, IP65

### Equipment consisting of (schematic overview)

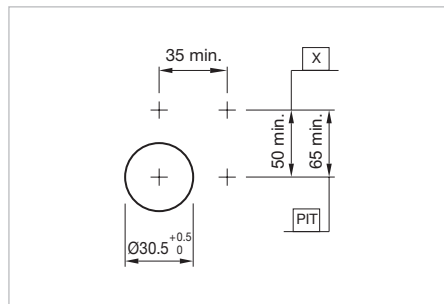
-  **Front bezel set** *page 126*
-  **Lens** *page 121*
-  **Marking plate** *page 124*
-  **Actuator**
-  **Part of front bezel set**
-  **Bayonet flange** *page 134*
-  **LED** *page 150*
-  **Lamp block** *page 135*
-  **Flasher element** *page 133*



Dimensions [mm]  
X = Screw terminal



Product can differ from the current configuration.




Mounting cut-outs [mm]  
PIT = Push-in terminal,  
X = Screw terminal

### Additional Information

- For front dimension Ø 35 mm
- Housing plastic grey
- Lens flat or raised possible; equal choose marking plate or marking cap
- Other terminal options from the part flasher element and lamp block see «Accessories»

Each Part Number listed below includes all the black components shown in the 3D-drawing.

To obtain a complete unit, please select the red components from the pages shown.

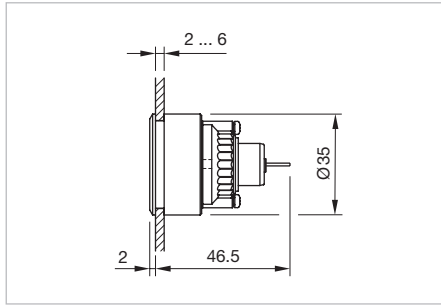
Part No.	Weight
 <p><b>Flasher actuator round</b></p>	
<b>704.633.1</b>	0.020 kg

# 04 Flush design

## Buzzer, IP 40

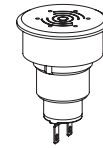


Product can differ from the current configuration.



Dimensions [mm]

### Equipment consisting of (schematic overview)



Buzzer



Pressure ring

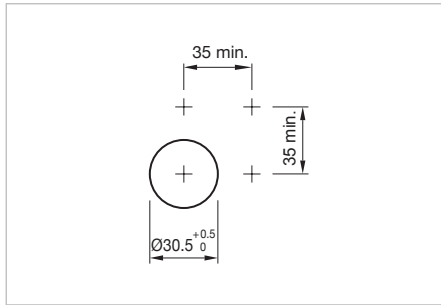


Fixing nut


Each Part Number listed below includes all the black components shown in the 3D-drawing.

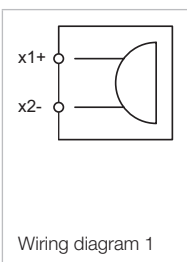
### Additional Information

- Further information see «Technical data»
- The colour of anodized aluminium parts can vary due to technical production reasons



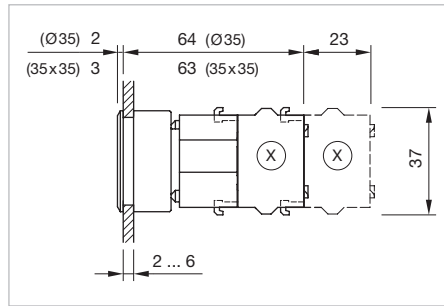
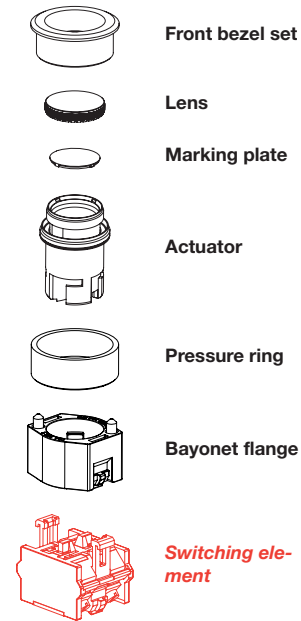
Mounting cut-outs [mm]

Operating voltage	Front cap	Terminal	Part No.	Wiring diagram	Weight
 <b>Buzzer, Front dimension Ø 35 mm</b>	Aluminium black anodized	Solder 2.8 x 0.5 mm	<b>14-810.910</b>	1	0.016 kg
	Aluminium natural anodized	Solder 2.8 x 0.5 mm	<b>14-810.918</b>	1	0.016 kg

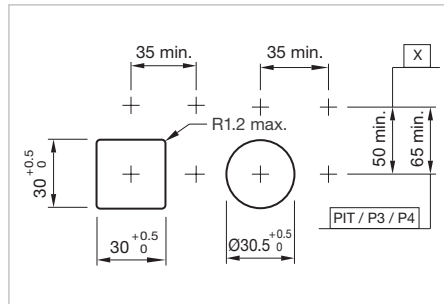


## Pushbutton, IP65

### Equipment consisting of (schematic overview)



Dimensions [mm]  
X = Screw terminal



Mounting cut-outs [mm]  
PIT = Push-in terminal,  
P3 = Plug-in terminal 6.3 x 0.8 mm,  
P4 = Double plug-in terminal 6.3 x 0.8 mm,  
X = Screw terminal




Product can differ from the current configuration.

### Additional Information

- Other terminal options from the part switching element see «Accessories»
- The colour of anodized aluminium parts can vary due to technical production reasons
- Max. 3 switching elements can be clipped on

Each Part Number listed below includes all the black components shown in the 3D-drawing.

To obtain a complete unit, please select the red components from the pages shown.

Housing	Front ring	Front bezel	Lens	Switching action	Part No.	Wiring diagram	Weight
 <p><b>Pushbutton actuator, Front dimension 35 x 35 mm</b></p>							
Plastic black		Plastic black	Plastic black	B	<b>704.209.000</b>	1	0.051 kg
			Plastic red	B	<b>704.209.200</b>	1	0.051 kg
			Plastic yellow	B	<b>704.209.400</b>	1	0.051 kg
			Plastic green	B	<b>704.209.500</b>	1	0.051 kg
			Plastic blue	B	<b>704.209.600</b>	1	0.051 kg
			Plastic colourless	B	<b>704.209.700</b>	1	0.051 kg
		Plastic silver	Plastic black	B	<b>704.210.008</b>	1	0.051 kg
			Plastic red	B	<b>704.210.208</b>	1	0.051 kg
			Plastic yellow	B	<b>704.210.408</b>	1	0.051 kg
			Plastic green	B	<b>704.210.508</b>	1	0.051 kg
			Plastic blue	B	<b>704.210.608</b>	1	0.051 kg
			Plastic colourless	B	<b>704.210.708</b>	1	0.051 kg
		Plastic black	Plastic black	C	<b>704.239.000</b>	2	0.051 kg
			Plastic red	C	<b>704.239.200</b>	2	0.051 kg
			Plastic yellow	C	<b>704.239.400</b>	2	0.051 kg
			Plastic blue	C	<b>704.239.600</b>	2	0.051 kg
		Plastic colourless	C	<b>704.239.700</b>	2	0.051 kg	

# 04 Flush design

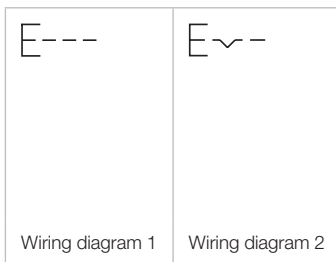
Housing	Front ring	Front bezel	Lens	Switching action	Part No.	Wiring diagram	Weight
Plastic black		Plastic silver	Plastic red	C	<b>704.240.208</b>	2	0.051 kg
			Plastic yellow	C	<b>704.240.408</b>	2	0.051 kg
			Plastic green	C	<b>704.240.508</b>	2	0.051 kg
			Plastic colourless	C	<b>704.240.708</b>	2	0.051 kg



## Pushbutton actuator, Front dimension Ø 35 mm

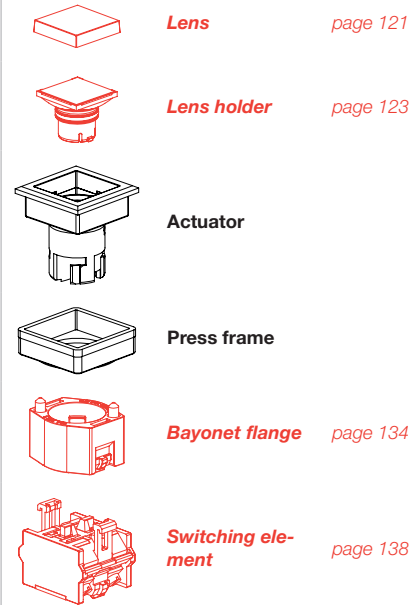
Plastic grey	Aluminium natural anodized	Aluminium black anodized	B	<b>704.011.018</b>	1	0.051 kg
		Aluminium red anodized	B	<b>704.011.218</b>	1	0.051 kg
		Aluminium gold anodized	B	<b>704.011.418</b>	1	0.051 kg
		Aluminium olive-green anodized	B	<b>704.011.518</b>	1	0.051 kg
		Aluminium blue anodized	B	<b>704.011.618</b>	1	0.051 kg
		Aluminium natural anodized	B	<b>704.011.818</b>	1	0.051 kg
		Plastic black	B	<b>704.012.018</b>	1	0.051 kg
		Plastic red	B	<b>704.012.218</b>	1	0.051 kg
		Plastic yellow	B	<b>704.012.418</b>	1	0.051 kg
		Plastic green	B	<b>704.012.518</b>	1	0.051 kg
		Plastic blue	B	<b>704.012.618</b>	1	0.051 kg
		Plastic colourless	B	<b>704.012.718</b>	1	0.051 kg
		Plastic black	C	<b>704.042.018</b>	2	0.051 kg
		Plastic red	C	<b>704.042.218</b>	2	0.051 kg
		Plastic yellow	C	<b>704.042.418</b>	2	0.051 kg
		Plastic green	C	<b>704.042.518</b>	2	0.051 kg
		Plastic blue	C	<b>704.042.618</b>	2	0.051 kg
		Plastic colourless	C	<b>704.042.718</b>	2	0.051 kg

Switching action : B = Momentary, C = Maintain



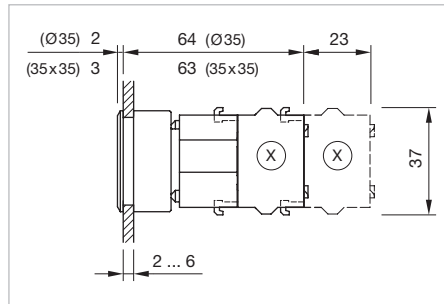
## Pushbutton square, IP65

### Equipment consisting of (schematic overview)

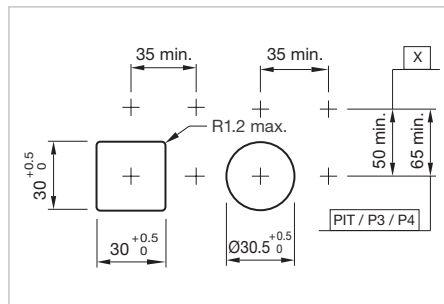


Each Part Number listed below includes all the black components shown in the 3D-drawing.

To obtain a complete unit, please select the red components from the pages shown.



Dimensions [mm]  
X = Screw terminal




Mounting cut-outs [mm]  
PIT = Push-in terminal,  
P3 = Plug-in terminal 6.3 x 0.8 mm,  
P4 = Double plug-in terminal 6.3 x 0.8 mm,  
X = Screw terminal



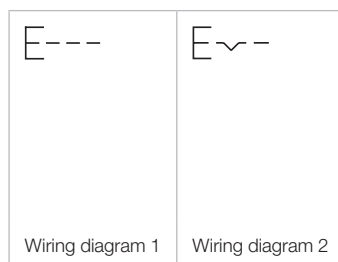
Product can differ from the current configuration.

### Additional Information

- Housing plastic black
- Other terminal options from the part switching element see «Accessories»
- Max. 3 switching elements can be clipped on

Front bezel	Switching action	Part No.	Wiring diagram	Weight
	<b>Pushbutton actuator square, Front dimension 35 x 35 mm</b>			
Plastic black	B	<b>704.741.0</b>	1	0.020 kg
Plastic silver	B	<b>704.741.8</b>	1	0.020 kg
Plastic black	C	<b>704.742.0</b>	2	0.020 kg
Plastic silver	C	<b>704.742.8</b>	2	0.020 kg

Switching action : B = Momentary, C = Maintain



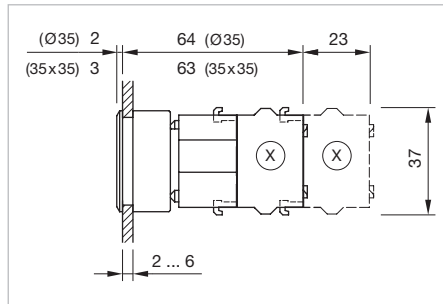


# 04 Flush design

## Pushbutton round, IP65



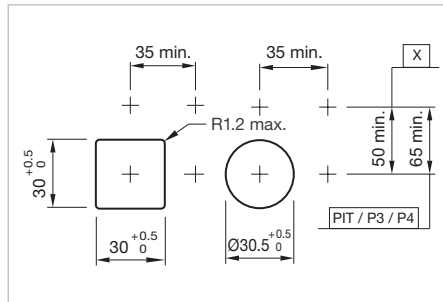
Product can differ from the current configuration.



Dimensions [mm]  
X = Screw terminal

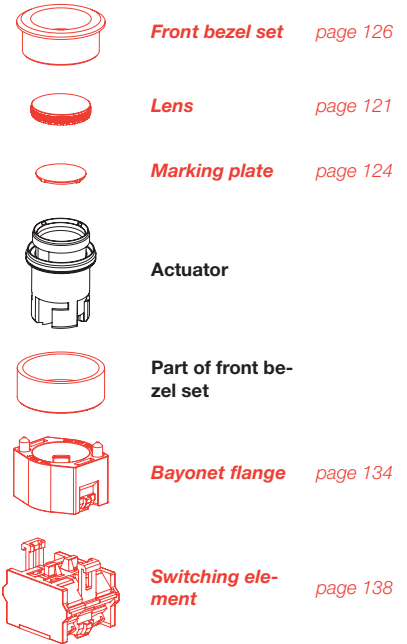
### Additional Information

- For front dimension Ø 35 mm
- Metal lens to be ordered with marking plates
- Housing plastic grey
- Other terminal options from the part switching element see «Accessories»
- Max. 3 switching elements can be clipped on




Mounting cut-outs [mm]  
PIT = Push-in terminal,  
P3 = Plug-in terminal 6.3 x 0.8 mm,  
P4 = Double plug-in terminal 6.3 x 0.8 mm,  
X = Screw terminal

### Equipment consisting of (schematic overview)

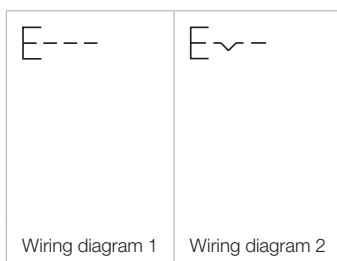


Each Part Number listed below includes all the black components shown in the 3D-drawing.

To obtain a complete unit, please select the red components from the pages shown.

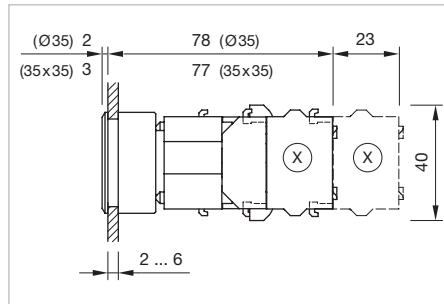
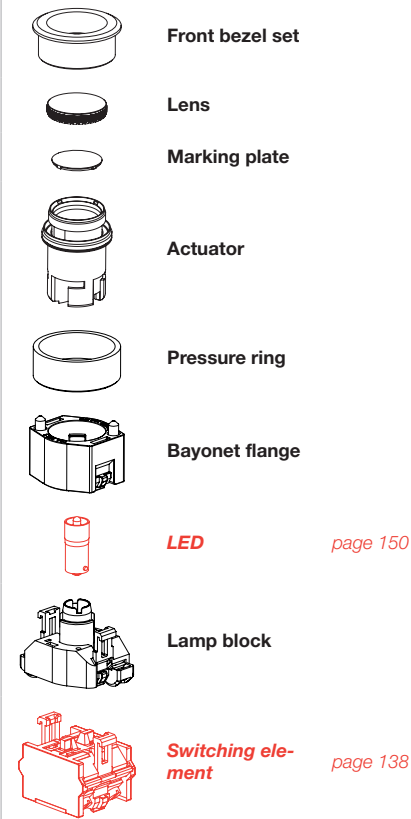
Switching action	Part No.	Wiring diagram	Weight
 <p><b>Pushbutton actuator round</b></p>	<b>704.631.1</b>	1	0.009 kg
	<b>704.632.1</b>	2	0.009 kg

Switching action : B = Momentary, C = Maintain



## Illuminated pushbutton, IP65

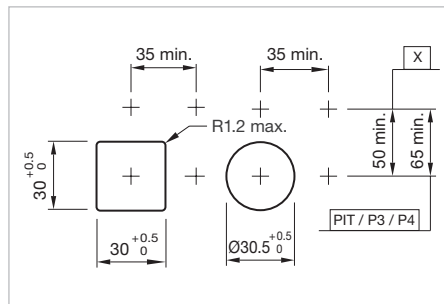
### Equipment consisting of (schematic overview)



Dimensions [mm]  
X = Screw terminal



Product can differ from the current configuration.




Mounting cut-outs [mm]  
PIT = Push-in terminal,  
P3 = Plug-in terminal 6.3 x 0.8 mm,  
P4 = Double plug-in terminal 6.3 x 0.8 mm,  
X = Screw terminal

### Additional Information


- The lamp block will be delivered with screw terminal
- Other terminal options from the part switching element see «Accessories»
- The colour of anodized aluminium parts can vary due to technical production reasons
- Max. 3 switching elements can be clipped on

Each Part Number listed below includes all the black components shown in the 3D-drawing.

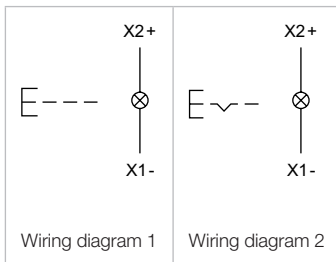
To obtain a complete unit, please select the red components from the pages shown.

Housing	Front ring	Front bezel	Lens	Switching action	Part No.	Wiring diagram	Weight
 <b>Illuminated pushbutton actuator, Front dimension 35 x 35 mm</b>							
Plastic black		Plastic black	Plastic red	B	<b>704.229.200</b>	1	0.051 kg
			Plastic yellow	B	<b>704.229.400</b>	1	0.051 kg
			Plastic green	B	<b>704.229.500</b>	1	0.051 kg
			Plastic blue	B	<b>704.229.600</b>	1	0.051 kg
			Plastic colourless	B	<b>704.229.700</b>	1	0.051 kg
		Plastic silver	Plastic red	B	<b>704.230.208</b>	1	0.051 kg
			Plastic yellow	B	<b>704.230.408</b>	1	0.051 kg
			Plastic green	B	<b>704.230.508</b>	1	0.051 kg
			Plastic blue	B	<b>704.230.608</b>	1	0.051 kg
			Plastic colourless	B	<b>704.230.708</b>	1	0.051 kg
		Plastic black	Plastic red	C	<b>704.259.200</b>	2	0.051 kg
			Plastic yellow	C	<b>704.259.400</b>	2	0.051 kg
			Plastic green	C	<b>704.259.500</b>	2	0.051 kg
			Plastic blue	C	<b>704.259.600</b>	2	0.051 kg
			Plastic colourless	C	<b>704.259.700</b>	2	0.051 kg

# 04 Flush design

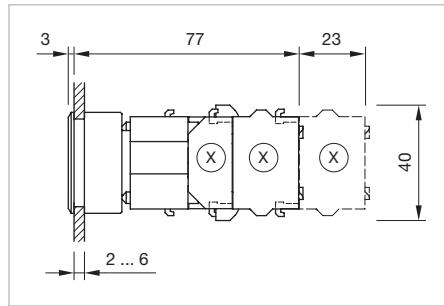
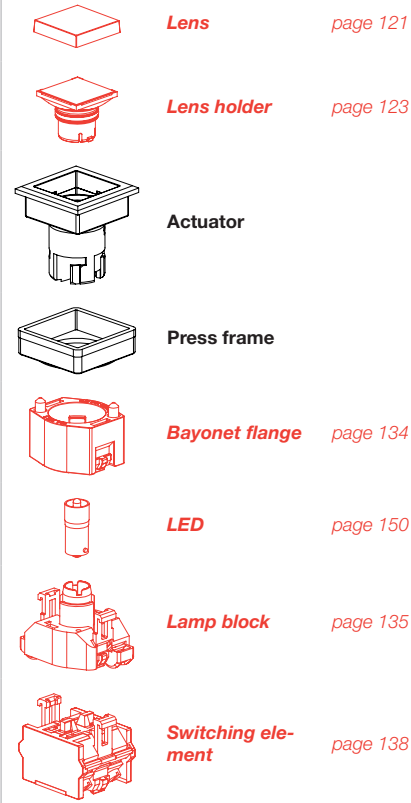
Housing	Front ring	Front bezel	Lens	Switching action	Part No.	Wiring diagram	Weight
Plastic black		Plastic silver	Plastic red	C	<b>704.260.208</b>	2	0.051 kg
			Plastic yellow	C	<b>704.260.408</b>	2	0.051 kg
			Plastic green	C	<b>704.260.508</b>	2	0.051 kg
			Plastic blue	C	<b>704.260.608</b>	2	0.051 kg
			Plastic colourless	C	<b>704.260.708</b>	2	0.051 kg
 <p><b>Illuminated pushbutton actuator, Front dimension Ø 35 mm</b></p>							
Plastic grey	Aluminium natural anodized		Plastic red	B	<b>704.032.218</b>	1	0.067 kg
			Plastic yellow	B	<b>704.032.418</b>	1	0.067 kg
			Plastic green	B	<b>704.032.518</b>	1	0.067 kg
			Plastic blue	B	<b>704.032.618</b>	1	0.067 kg
			Plastic colourless	B	<b>704.032.718</b>	1	0.067 kg
			Plastic red	C	<b>704.062.218</b>	2	0.067 kg
			Plastic yellow	C	<b>704.062.418</b>	2	0.067 kg
			Plastic green	C	<b>704.062.518</b>	2	0.067 kg
			Plastic blue	C	<b>704.062.618</b>	2	0.067 kg
			Plastic colourless	C	<b>704.062.718</b>	2	0.067 kg

Switching action : B = Momentary, C = Maintain



## Illuminated pushbutton square, IP65

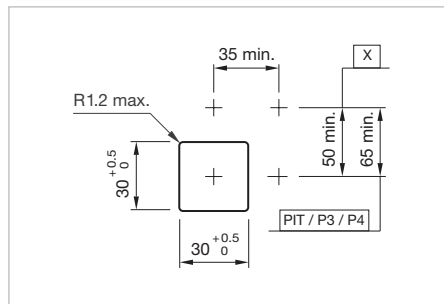
### Equipment consisting of (schematic overview)



Dimensions [mm]  
X = Screw terminal



Product can differ from the current configuration.




Mounting cut-outs [mm]  
PIT = Push-in terminal,  
P3 = Plug-in terminal 6.3 x 0.8 mm,  
P4 = Double plug-in terminal 6.3 x 0.8 mm,  
X = Screw terminal

### Additional Information

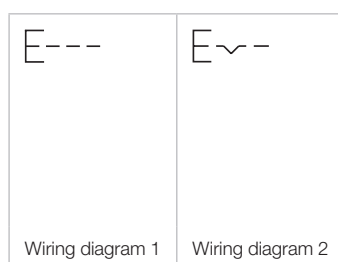
- Housing plastic black
- Other terminal options from the parts switching element and lamp block see «Accessories»
- Max. 3 switching elements can be clipped on

Each Part Number listed below includes all the black components shown in the 3D-drawing.

To obtain a complete unit, please select the red components from the pages shown.

Front bezel	Switching action	Part No.	Wiring diagram	Weight
	<b>Illuminated pushbutton actuator square, Front dimension 35 x 35 mm</b>			
Plastic black	B	<b>704.741.0</b>	1	0.020 kg
Plastic silver	B	<b>704.741.8</b>	1	0.020 kg
Plastic black	C	<b>704.742.0</b>	2	0.020 kg
Plastic silver	C	<b>704.742.8</b>	2	0.020 kg

Switching action : B = Momentary, C = Maintain

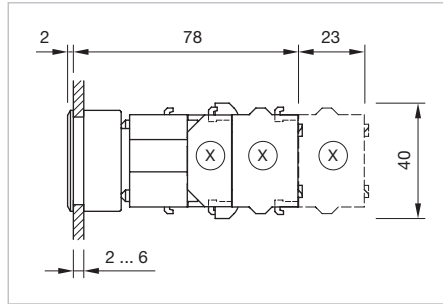


# 04 Flush design

## Illuminated pushbutton round, IP65



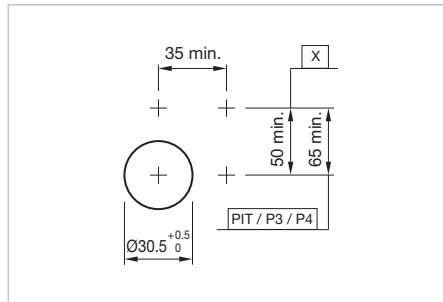
Product can differ from the current configuration.



Dimensions [mm]  
X = Screw terminal

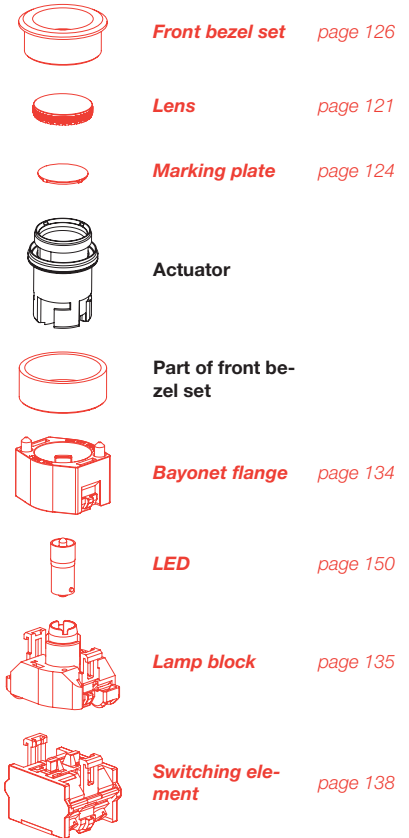
### Additional Information

- For front dimension  $\varnothing$  35 mm
- Housing plastic grey
- Choose lens plastic or lens metal with spot round
- Other terminal options from the parts switching element and lamp block see «Accessories»
- Max. 3 switching elements can be clipped on




Mounting cut-outs [mm]  
PIT = Push-in terminal,  
P3 = Plug-in terminal 6.3 x 0.8 mm,  
P4 = Double plug-in terminal 6.3 x 0.8 mm,  
X = Screw terminal

### Equipment consisting of (schematic overview)

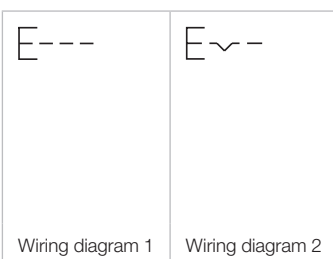


Each Part Number listed below includes all the black components shown in the 3D-drawing.

To obtain a complete unit, please select the red components from the pages shown.

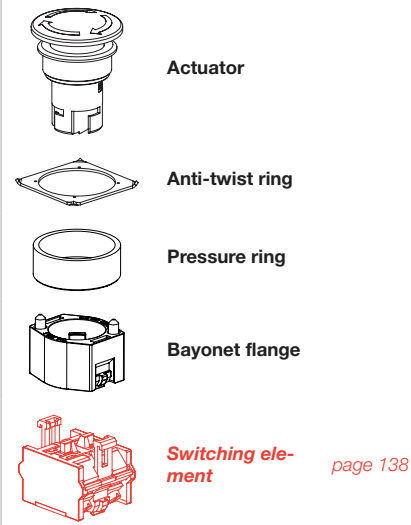
Switching action	Part No.	Wiring diagram	Weight
			
<b>Illuminated pushbutton actuator round</b>			
B	<b>704.631.1</b>	1	0.009 kg
C	<b>704.632.1</b>	2	0.009 kg

Switching action : B = Momentary, C = Maintain



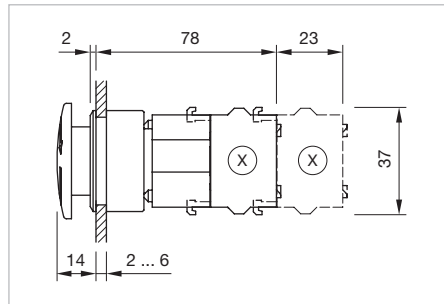
## Stop switch, IP65

### Equipment consisting of (schematic overview)

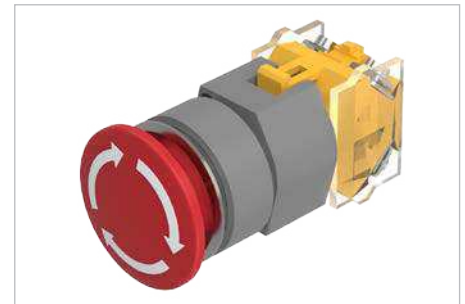


Each Part Number listed below includes all the black components shown in the 3D-drawing.

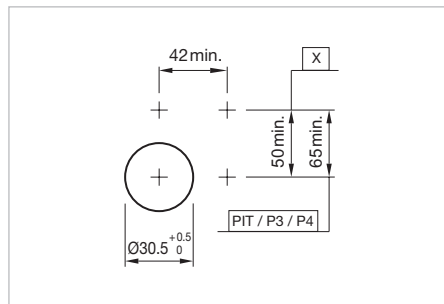
To obtain a complete unit, please select the red components from the pages shown.



Dimensions [mm]  
X = Screw terminal



Product can differ from the current configuration.



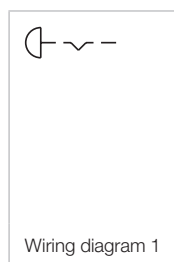
Mounting cut-outs [mm]  
PIT = Push-in terminal,  
P3 = Plug-in terminal 6.3 x 0.8 mm,  
P4 = Double plug-in terminal 6.3 x 0.8 mm,  
X = Screw terminal

### Additional Information

- Other terminal options from the part switching element see «Accessories»
- Twist to unlock clockwise
- Max. 3 switching elements can be clipped on
- The colour of anodized aluminium parts can vary due to technical production reasons

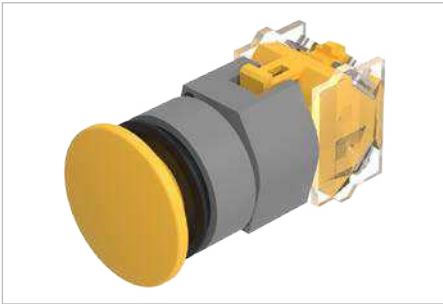
Front ring	Lens	Marking	Switching action	Part No.	Wiring diagram	Weight
<p><b>Stop switch actuator, Front dimension Ø 40 mm</b></p>						
Aluminium natural anodized	Plastic red	Arrows	C	<b>704.075.218</b>	1	0.048 kg
		Stop	C	<b>704.075.318</b>	1	0.048 kg
Aluminium black anodized	Plastic red	Arrows	C	<b>704.074.210</b>	1	0.048 kg
		Stop	C	<b>704.075.310</b>	1	0.048 kg

Switching action : C = Maintain

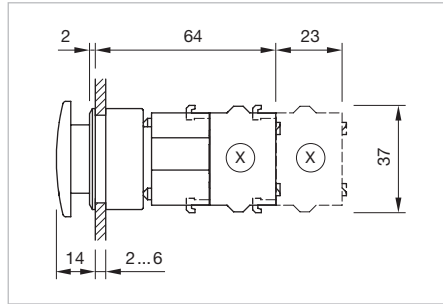


# 04 Flush design

## Mushroom-head pushbutton, IP65



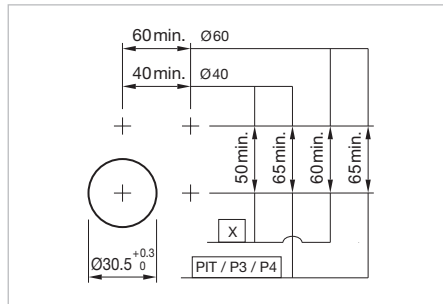
Product can differ from the current configuration.



Dimensions [mm]  
X = Screw terminal

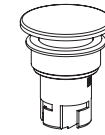
### Additional Information

- Other terminal options from the part switching element see «Accessories»
- Max. 3 switching elements can be clipped on
- The colour of anodized aluminium parts can vary due to technical production reasons



Mounting cut-outs [mm]  
PIT = Push-in terminal,  
P3 = Plug-in terminal 6.3 x 0.8 mm,  
P4 = Double plug-in terminal 6.3 x 0.8 mm,  
X = Screw terminal

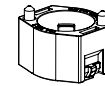
### Equipment consisting of (schematic overview)



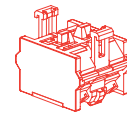
Actuator



Pressure ring



Bayonet flange




Switching element

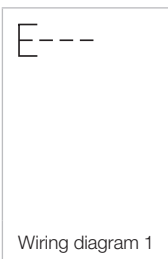
page 138

Each Part Number listed below includes all the black components shown in the 3D-drawing.

To obtain a complete unit, please select the red components from the pages shown.

Front ring	Lens	Switching action	Part No.	Wiring diagram	Weight
					
<b>Mushroom-head pushbutton actuator, Front dimension Ø 40 mm</b>					
Aluminium natural anodized	Plastic red	B	<b>704.071.218</b>	1	0.041 kg
	Plastic yellow	B	<b>704.071.418</b>	1	0.041 kg
Aluminium black anodized	Plastic red	B	<b>704.071.210</b>	1	0.041 kg
	Plastic yellow	B	<b>704.071.410</b>	1	0.041 kg

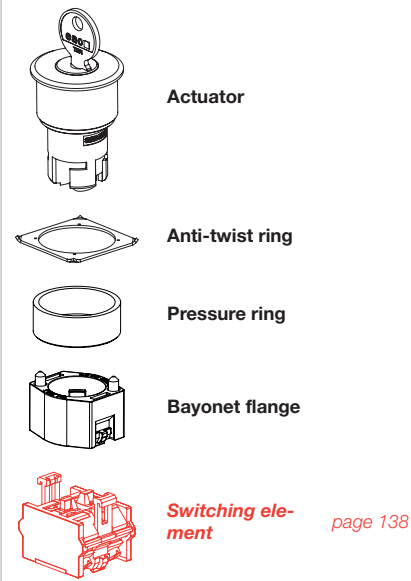
Switching action : B = Momentary



Wiring diagram 1

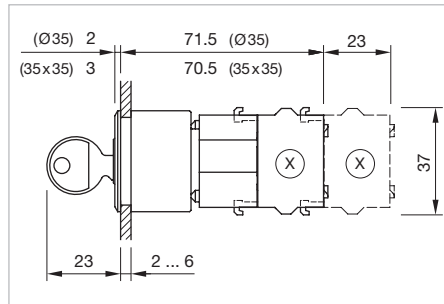
## Keylock switch 2 positions, IP65

### Equipment consisting of (schematic overview)

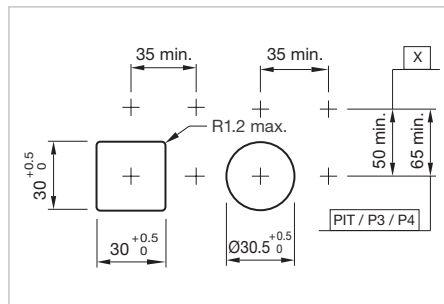


Each Part Number listed below includes all the black components shown in the 3D-drawing.

To obtain a complete unit, please select the red components from the pages shown.



Dimensions [mm]  
X = Screw terminal



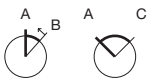
Mounting cut-outs [mm]  
PIT = Push-in terminal,  
P3 = Plug-in terminal 6.3 x 0.8 mm,  
P4 = Double plug-in terminal 6.3 x 0.8 mm,  
X = Screw terminal




Product can differ from the current configuration.

### Additional Information

- Other terminal options from the part switching element see «Accessories»
- The colour of anodized aluminium parts can vary due to technical production reasons
- The standard lock Ronis 251
- Two keys are supplied with each key lock switch
- Further lock numbers see «Technical data»
- Max. 3 switching elements can be clipped on




Switching positions (A = Rest, B = Momentary, C = Maintained)

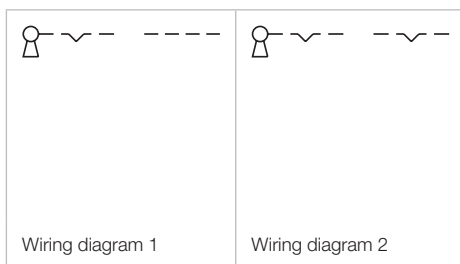
Front ring	Front bezel	Switching action	Switching angle	Key remove	Part No.	Wiring diagram	Weight
 <p><b>Keylock switch actuator 2 positions, Front dimension 35 x 35 mm</b></p>							
	Plastic black	A - B	B = 42°	A	<b>704.343.000</b>	1	0.099 kg
	Plastic silver	A - B	B = 42°	A	<b>704.343.008</b>	1	0.099 kg
	Plastic black	A - C	C = 90°	C	<b>704.340.000</b>	2	0.099 kg
				A	<b>704.341.000</b>	2	0.099 kg
				A + C	<b>704.342.000</b>	2	0.099 kg
				A + C	<b>704.342.008</b>	2	0.099 kg
	Plastic silver	A - C	C = 90°	C	<b>704.340.008</b>	2	0.099 kg
				A	<b>704.341.008</b>	2	0.099 kg
				A + C	<b>704.342.000</b>	2	0.099 kg
				A + C	<b>704.342.008</b>	2	0.099 kg



# 04 Flush design

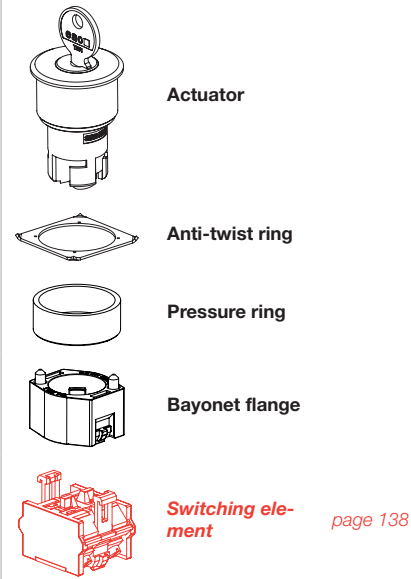
Front ring	Front bezel	Switching action	Switching angle	Key remove	Part No.	Wiring diagram	Weight
 <p><b>Keylock switch actuator 2 positions, Front dimension Ø 35 mm</b></p>							
Aluminium natural anodized		A - B	B = 42°	A	<b>704.123.018</b>	1	0.099 kg
		A - C	C = 90°	C	<b>704.120.018</b>	2	0.099 kg
				A	<b>704.121.018</b>	2	0.099 kg
				A + C	<b>704.122.018</b>	2	0.099 kg

Switching action : A = Rest, B = Momentary, C = Maintain



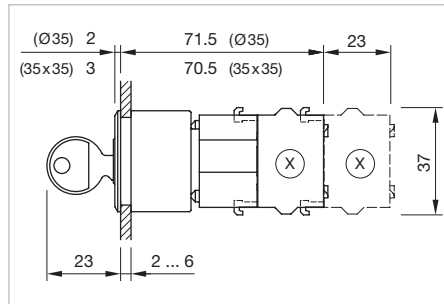
## Keylock switch 3 positions, IP65

### Equipment consisting of (schematic overview)

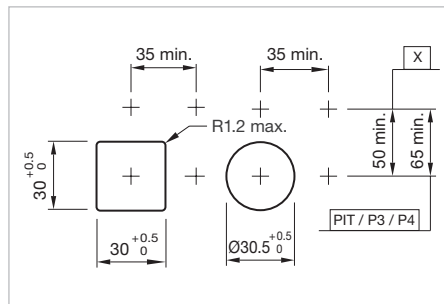


Each Part Number listed below includes all the black components shown in the 3D-drawing.

To obtain a complete unit, please select the red components from the pages shown.



Dimensions [mm]  
X = Screw terminal



Mounting cut-outs [mm]  
PIT = Push-in terminal,  
P3 = Plug-in terminal 6.3 x 0.8 mm,  
P4 = Double plug-in terminal 6.3 x 0.8 mm,  
X = Screw terminal




Product can differ from the current configuration.

### Additional Information

- Other terminal options from the part switching element see «Accessories»
- The colour of anodized aluminium parts can vary due to technical production reasons
- Locknumbers 251, lock type Ronis
- Two keys are supplied with each key lock switch
- Further lock numbers see «Technical data»
- Max. 3 switching elements can be clipped on



Switching positions (A = Rest, B = Momentary, C = Maintained)

Front ring	Front bezel	Switching action	Switching angle	Key remove	Part No.	Wiring diagram	Weight
	<b>Keylock switch actuator 3 positions, Front dimension 35 x 35 mm</b>						
	Plastic black	B - A - C	B = 42°, C = 42°	A	<b>704.338.000</b>	1	0.099 kg
	Plastic silver	B - A - C	B = 42°, C = 42°	A	<b>704.338.008</b>	1	0.099 kg
	Plastic black	C - A - B	C = 42°, B = 42°	C	<b>704.337.000</b>	2	0.099 kg
				C + A	<b>704.344.000</b>	2	0.099 kg
	Plastic silver	C - A - B	C = 42°, B = 42°	C	<b>704.337.008</b>	2	0.099 kg
				C + A	<b>704.344.008</b>	2	0.099 kg
	Plastic black	B - A - B	B = 42° / 42°	A	<b>704.335.000</b>	3	0.099 kg
	Plastic silver	B - A - B	B = 42° / 42°	A	<b>704.335.008</b>	3	0.099 kg
	Plastic black	C - A - C	C = 42° / 42°	A	<b>704.334.000</b>	4	0.099 kg
				C + C	<b>704.336.000</b>	4	0.099 kg
	Plastic silver	C - A - C	C = 42° / 42°	A	<b>704.334.008</b>	4	0.099 kg
				C + C	<b>704.336.008</b>	4	0.099 kg
	Plastic black	C - A - C	C = 90° / 90°	C + A + C	<b>704.333.000</b>	4	0.099 kg
	Plastic silver	C - A - C	C = 90° / 90°	C + A + C	<b>704.333.008</b>	4	0.099 kg