



Chipsmall Limited consists of a professional team with an average of over 10 year of expertise in the distribution of electronic components. Based in Hongkong, we have already established firm and mutual-benefit business relationships with customers from,Europe,America and south Asia,supplying obsolete and hard-to-find components to meet their specific needs.

With the principle of “Quality Parts,Customers Priority,Honest Operation,and Considerate Service”,our business mainly focus on the distribution of electronic components. Line cards we deal with include Microchip,ALPS,ROHM,Xilinx,Pulse,ON,Everlight and Freescale. Main products comprise IC,Modules,Potentiometer,IC Socket,Relay,Connector.Our parts cover such applications as commercial,industrial, and automotives areas.

We are looking forward to setting up business relationship with you and hope to provide you with the best service and solution. Let us make a better world for our industry!



Contact us

Tel: +86-755-8981 8866 Fax: +86-755-8427 6832

Email & Skype: info@chipsmall.com Web: www.chipsmall.com

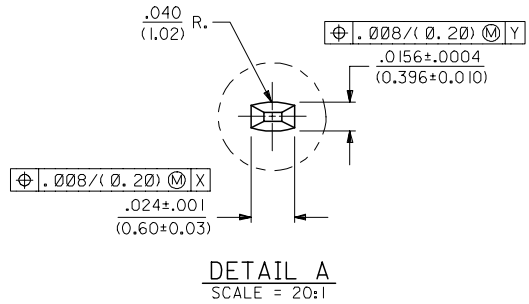
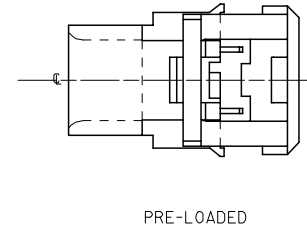
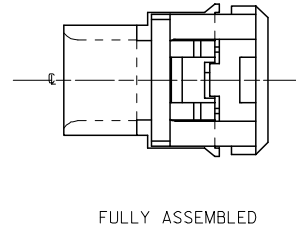
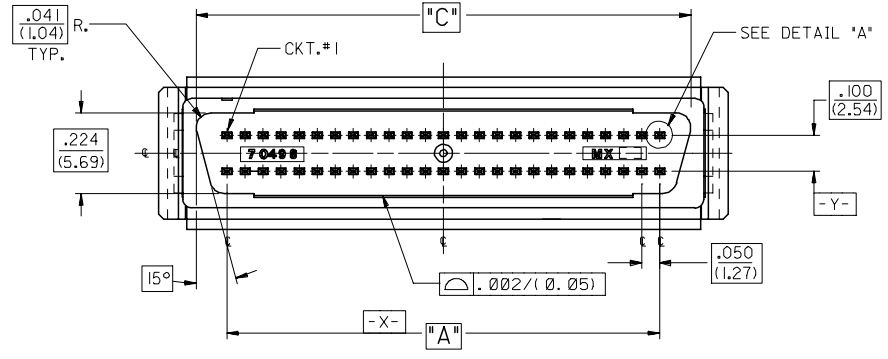
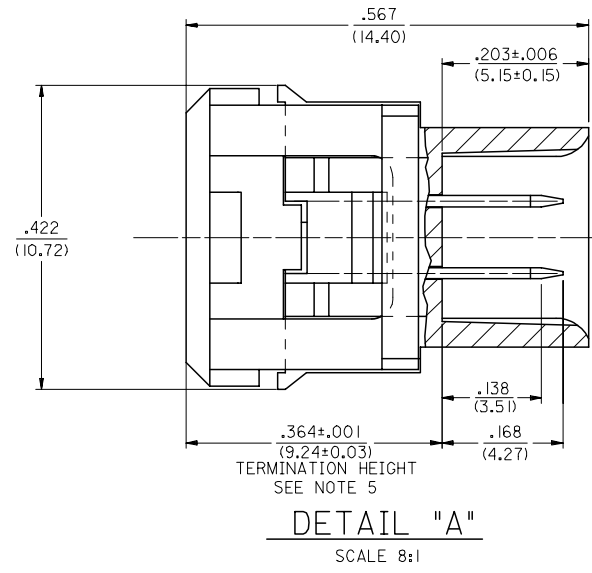
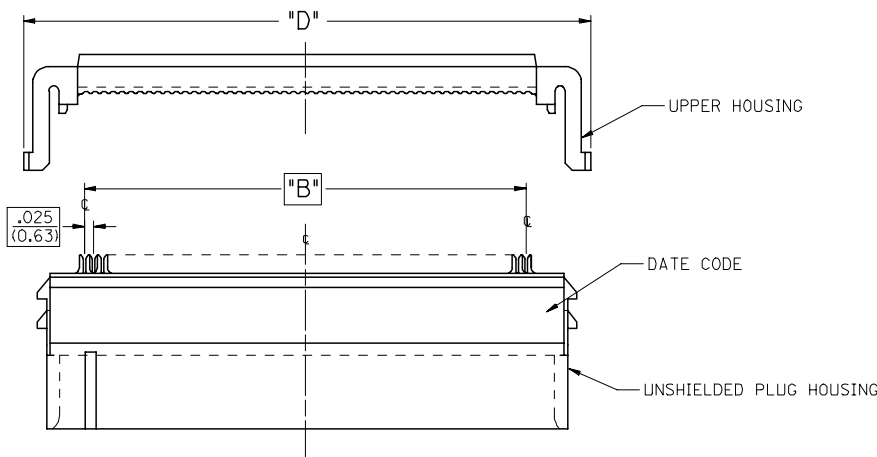
Address: A1208, Overseas Decoration Building, #122 Zhenhua RD., Futian, Shenzhen, China



13 12 11 10 9 8 7 6 5 4 3 2 1

J
I
H
G
F
E
D
C
B
A

J
I
H
G
F
E
D
C
B
A



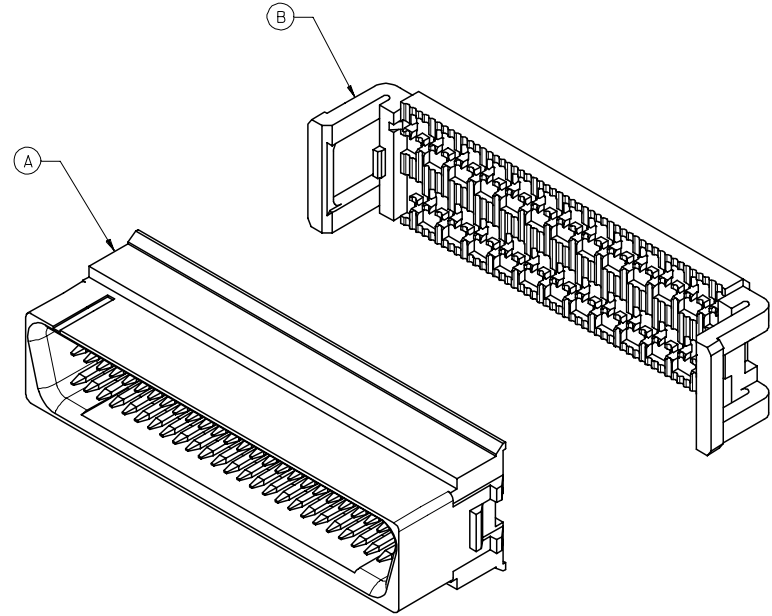
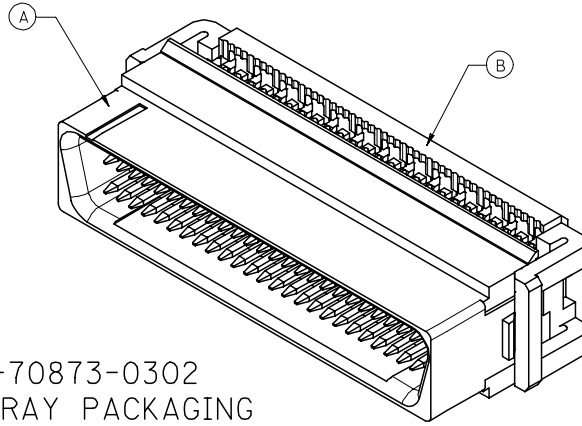
50 CIRCUIT SHOWN

REMOVE OBSOLETE #'S FC NO: UICP2006-2901 DRAWN BY: BARRA 2006/06/12 CHK'D: BARKER 2006/06/12 APPR: SMILLER 2006/06/14	QUALITY SYMBOLS ▽=0 ▽=0	GENERAL TOLERANCES (UNLESS SPECIFIED)		DIMENSION STYLE IN/MM		SCALE 4:1	DESIGN UNITS INCH	THIRD ANGLE PROJECTION	
		4 PLACES ± --- ± ---	3 PLACES ± --- ± .005	2 PLACES ± 0.13 ± ---	1 PLACE ± --- ± ---	ANGULAR ±1/2°	DRAWN BY JLONG	DATE 1993/04/16	TITLE SCSI ALL-PLASTIC MODULAR SUB-ASSEMBLY KIT FOR .025 RIBBON CABLE
		DRAFT WHERE APPLICABLE MUST REMAIN WITHIN DIMENSIONS		SEE TABLE		MATERIAL NO. SDMS-70498-4***	DOCUMENT NO.	SHEET NO. 1 OF 2	
		THIS DRAWING CONTAINS INFORMATION THAT IS PROPRIETARY TO MOLEX INCORPORATED AND SHOULD NOT BE USED WITHOUT WRITTEN PERMISSION							

2	J
1	J
SHT	REV

12 11 10 9 8 7 6 5 4 3 2 1

13		12		11		10		9		8		7		6		5		4		3		2		1	
TUBE PACKED ITEM NO. (REFER TO) (PK-70873-0271)	TRAY PACKED ITEM NO. (REFER TO) (PK-70873-0302)	CKT. SIZE	PLATING TYPE	ITEM	DESCRIPTION/ITEM NO.	QTY	"A"		"B"		"C"		"D"												
							IN.	MM.	IN.	MM.	IN.	MM.	IN.	MM.											
NA	NA	40	GOLD 30	A	PLUG ASSEMBLY : 70498-2040	1	.950	24.13	.975	24.77	1.122	28.50	1.372	33.71											
				B	UPPER HOUSING : 70497-1040	1																			
NA	NA	50	GOLD 30	A	PLUG ASSEMBLY : 70498-2050	1	1.200	30.48	1.225	31.12	1.372	34.85	1.572	39.93											
				B	UPPER HOUSING : 70497-1050	1																			
70498-4068	NA	68	GOLD 30	A	PLUG ASSEMBLY : 70498-2068	1	1.650	41.91	1.675	42.54	1.822	46.28	2.022	51.36											
				B	UPPER HOUSING : 70497-1068	1																			
70498-4201	NA	68	GOLD 15	A	PLUG ASSEMBLY : 70498-2168	1	1.650	41.91	1.675	42.54	1.822	46.28	2.022	51.36											
				B	UPPER HOUSING : 70497-1068	1																			



DETAIL FOR PK-70873-0302
FOR PRE-LOADED TRAY PACKAGING
ITEM SERIES 70498-41** & -43**

NOTES:

- REFER TO PS-79058 PRODUCT SPEC FOR ELECTRICAL, MECHANICAL AND ENVIROMENTAL SPECIFICATIONS.
- MATERIAL:
PLUG HOUSING: POLYESTER (PBT), GLASS FILLED,UL94 V-0, COLOR: BLACK.
CONTACT: PHOSPHOR BRONZE
UPPER HOUSING: POLYESTER (PBT), GLASS FILLED,UL94 V-0, COLOR: BLACK.

FINISHES: TERMINALS:

(GOLD 15)
SELECTIVE GOLD: THICKNESS= 15 MICROINCHES/(0.38 MICROMETERS) MINIMUM.
SELECTIVE TIN: THICKNESS= 75 MICROINCHES/(1.90 MICROMETERS) MINIMUM.
NICKEL UNDERPLATE OVERALL.

(GOLD 30)
SELECTIVE GOLD: THICKNESS= 30 MICROINCHES/(0.76 MICROMETERS) MINIMUM.
SELECTIVE TIN: THICKNESS= 75 MICROINCHES/(1.90 MICROMETERS) MINIMUM.
NICKEL UNDERPLATE OVERALL.

3. PACKAGING:

- * - PK-70873-0271 PLUG SUBASSEMBLY SUPPLIED IN TUBES AND UPPER HOUSING SUPPLIED IN BULK.
- * - PK-70873-0302 IS A PRODUCT OF PK-70873-0271, BUT THE UPPER HOUSING ARE PRE-LOADED ONTO THE PLUG ASSEMBLIES THEN PLACED INTO TRAYS FOR SHIPMENT TO CUSTOMER.

4. RECOMMENDED CABLE: 30 AWG STRANDED OR SOLID, .025 RIBBON. CONTACT MOLEX INC. FOR LIST OF APPROVED CABLES.

5. APPLICATION TOOL CLOSURE OVER ASSY TO BE CONTROLLED TO .364±.001 USING A POSITIVE STOP TO ASSURE PROPER TERMINATION.

NOTE FOR LEAD FREE CONVERSION:

THE PRIMARY SHIPPING CARTON WILL BE LABELED "COMPLIANT TO RoHS DIRECTIVE 2002/95/EC AND ELV ANNEX II OF DIRECTIVE 2000/53/EC". CARTONS WITHOUT THIS LABEL MAY CONTAIN PRODUCT WITH LEAD.

DETAIL FOR PK-70873-0271
FOR TUBE / BULK PACKAGING
ITEM SERIES 70498-40** & -42**

REMOVE OBSOLETE #S FC NO: UCP2006-2901 DRAWN BY: BARRA 2006/06/12 CHKD: BARKER 2006/06/12 APPR: SMILLER 2006/06/14	QUALITY SYMBOLS ▽=0 ▽=0	GENERAL TOLERANCES (UNLESS SPECIFIED)		DIMENSION STYLE IN/MM		SCALE 4:1	DESIGN UNITS INCH	THIRD ANGLE PROJECTION		
		4 PLACES ± --- ± ---	3 PLACES ± --- ± ---	2 PLACES ± --- ± ---	1 PLACE ± --- ± ---	DRAWN BY JLONG	DATE 1993/04/16	TITLE SCSI ALL-PLASTIC MODULAR SUB-ASSEMBLY KIT FOR .025 RIBBON CABLE		
		ANGULAR ±1/2°		DRAFT WHERE APPLICABLE MUST REMAIN WITHIN DIMENSIONS		CHECKED BY BOWEN	DATE 1993/04/16	APPROVED BY JD		
		MATERIAL NO. SEE TABLE		DOCUMENT NO. SDMS-70498-4***		SHEET NO. 2 OF 2		MATERIAL NO. SDMS-70498-4***		