



Chipsmall Limited consists of a professional team with an average of over 10 year of expertise in the distribution of electronic components. Based in Hongkong, we have already established firm and mutual-benefit business relationships with customers from,Europe,America and south Asia,supplying obsolete and hard-to-find components to meet their specific needs.

With the principle of "Quality Parts,Customers Priority,Honest Operation,and Considerate Service",our business mainly focus on the distribution of electronic components. Line cards we deal with include Microchip,ALPS,ROHM,Xilinx,Pulse,ON,Everlight and Freescale. Main products comprise IC,Modules,Potentiometer,IC Socket,Relay,Connector.Our parts cover such applications as commercial,industrial, and automotives areas.

We are looking forward to setting up business relationship with you and hope to provide you with the best service and solution. Let us make a better world for our industry!



## Contact us

Tel: +86-755-8981 8866 Fax: +86-755-8427 6832

Email & Skype: info@chipsmall.com Web: www.chipsmall.com

Address: A1208, Overseas Decoration Building, #122 Zhenhua RD., Futian, Shenzhen, China





708

SWINGHANDLE



LH/RH



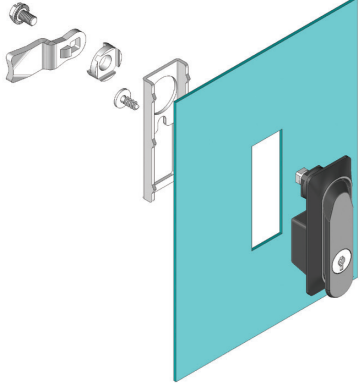
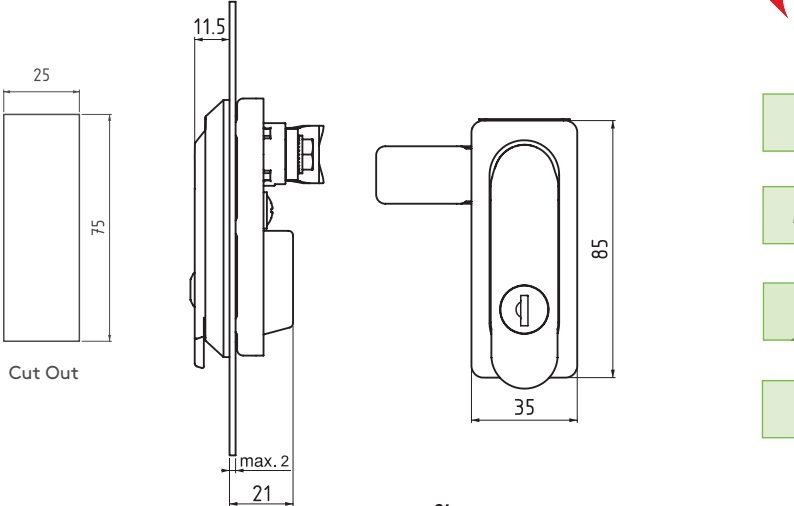
- Can be used for internal applications
- 25 X 75 mm cut out

**APPLICATIONS**

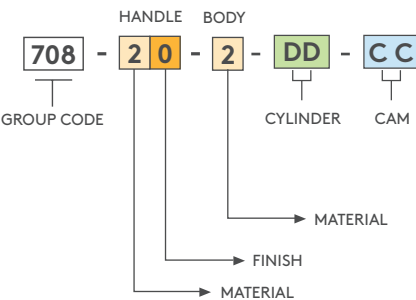
Electric panels, machinery covers,

**MATERIAL**

- BODY:** Polyamide DIN-EN ISO 1043-1 PA6 GFR 30
- HANDLE:** Polyamide DIN-EN ISO 1043-1 PA6 GFR 30
- CYLINDER:** Zamak DIN-EN 1774-ZnAl4Cu1
- CAM:** Steel
- SEAL:** Polyurethane



**PRODUCT CODE**



CYLINDER TYPE		DD
	Stainless steel dust cap (Keyed alike)	03
	Stainless steel dust cap (Keyed differ)	32
	Master system	04
	Euro key (5333)	05
	CH751 (Stainless steel dust cap)	07

For cams please check pages: 144 - 145