



Chipsmall Limited consists of a professional team with an average of over 10 year of expertise in the distribution of electronic components. Based in Hongkong, we have already established firm and mutual-benefit business relationships with customers from,Europe,America and south Asia,supplying obsolete and hard-to-find components to meet their specific needs.

With the principle of “Quality Parts,Customers Priority,Honest Operation,and Considerate Service”,our business mainly focus on the distribution of electronic components. Line cards we deal with include Microchip,ALPS,ROHM,Xilinx,Pulse,ON,Everlight and Freescale. Main products comprise IC,Modules,Potentiometer,IC Socket,Relay,Connector.Our parts cover such applications as commercial,industrial, and automotives areas.

We are looking forward to setting up business relationship with you and hope to provide you with the best service and solution. Let us make a better world for our industry!



## Contact us

Tel: +86-755-8981 8866 Fax: +86-755-8427 6832

Email & Skype: info@chipsmall.com Web: www.chipsmall.com

Address: A1208, Overseas Decoration Building, #122 Zhenhua RD., Futian, Shenzhen, China



**FEATURES**

- Integral Three Position Manual On/Manual Off and Automatic Control Toggle Switch
- Transient Protection: Meets the requirements of IEEE 472, "Surge Withstanding Capability Test"
- UL, CSA Certified
- Optical Isolation
- G5 Modules Provide Replaceable 5x20 mm Glass Fuse
- Built-in Status LED



**Maximum Current Versus Ambient Temperature**

The chart indicates continuous current to limit the junction temperatures to 100°C. Information is based on steady state heat transfer in a two cubic foot sealed enclosure.

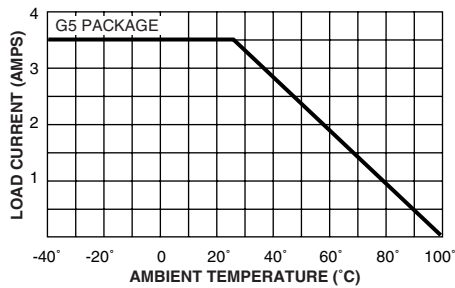
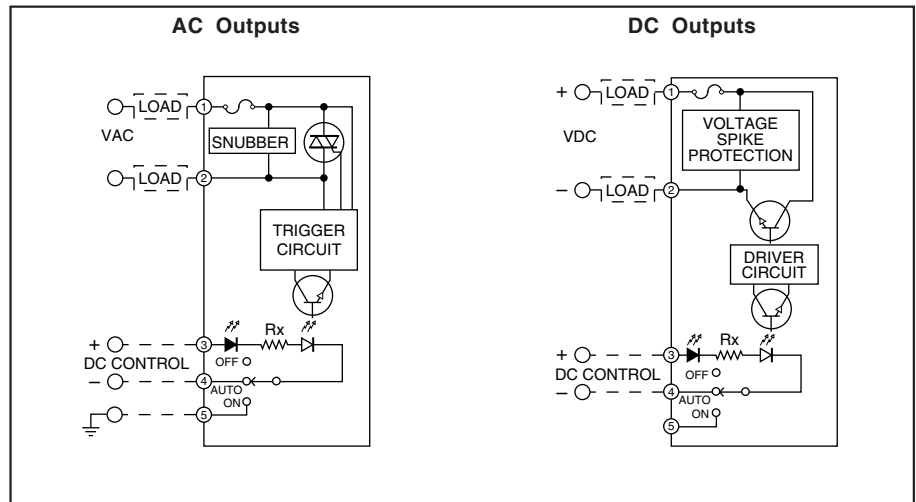


Figure 1

**CIRCUITRY**



**Maximum Peak Surge Current Versus Surge Duration (AC Outputs)**

Information is based on a supply frequency of 60 Hz sinusoidal and a resistive or inductive load. Application of maximum surge current may not be repeated until the module temperature has returned to its steady state value.

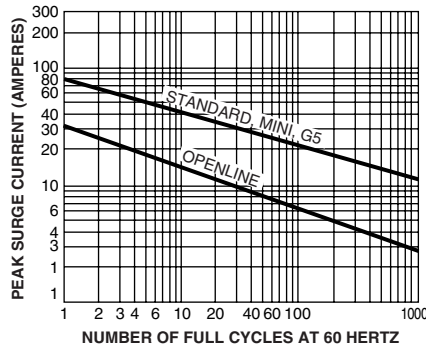


Figure 2

**FUSES**

G5 Fuses are 5 Amp Littelfuse part number 217005 or equivalent.

**SPECIFICATIONS: All Modules\***

<p><b>Output Specifications</b>                  Load Current Range (rms): 0.03 to 3.5 Amps, Maximum current is derated as shown in Figure 1.                  Maximum Surge Current (peak): 80 Amps at 60 Hz, 1 cycle as qualified by Figure 2 for AC outputs. 5 Amp maximum for 1 second for DC outputs.                  Turn-on Time (60 Hz): 8.3 mSec maximum for AC outputs. 20 µSec maximum for DC outputs.                  Turn-off Time (60 Hz): 8.3 mSec maximum for AC outputs. 50 µSec maximum for DC outputs.                  ON State Voltage Drop (peak): 1.5 volts max.</p>	<p>Power Dissipation: 1.0 Watt/Amp typical</p> <p><b>General Characteristics</b>                  Isolation Voltage Field to Logic: 4000 Vac (rms) minimum                  Vibration: 20 G's peak or .06" double amplitude 10–2000 Hz per MIL–STD–202, Method 204, Condition D                  Mechanical Shock: 1500 G's 0.5 mS half-sine per MIL–STD–202, Method 213, Condition F                  Storage Temperature Range: -40°C to +125°C</p>	<p>Operating Temperature Range: -40°C to +100°C</p>
---	---	---

\*Specifications apply over operating temperature range unless noted otherwise.

**SPECIFICATIONS: By Part Number**

**AC Outputs**

Type/Function		Grayhill Part Number		
G5, Zero Voltage Turn On, Manual Override		70G-OAC5MA	70G-OAC24MA	70G-OAC24AMA
Specifications	Units			
Nominal Line Voltage	Vac	120	120	240
Load Voltage Range	Vac	24-140	24-140	24-280
Minimum Peak Blocking Voltage	Volts	400	400	600
Maximum Off-state Leakage @ 60Hz	mA, rms	2	2	4
Nominal Logic Voltage (Vcc)	Vdc	5	24	24
Logic Voltage Range	Vdc	4-6	18-32	18-32
Max. Logic Supply Current @ Nominal Vcc	mA	20	8	8
Nominal Input Resistance (Rx)	W	100	2700	2700
Minimum Drop-Out Voltage	Vdc	1	1	1
Maximum Reverse Logic Voltage	Vdc	-5	-5	-5
Maximum Zero Voltage Offset	(Vpeak)	8	8	8
Frequency Range	(Hz)	25-70	25-70	25-70

**DC Outputs**

Type/Function		Grayhill Part Number	
G5 Manual Override		70G-ODC5MA	70G-ODC24MA
Specifications	Units		
Maximum Line Voltage	Vdc	60	60
Load Voltage Range	Vdc	3-60	3-60
Maximum Off-state Leakage @ 60 Vdc	mA	1.5	1.5
Maximum Turn-on Time	µSec	20	20
Maximum Turn-off Time	µSec	50	50
Nominal Logic Voltage (Vcc)	Vdc	5	24
Logic Voltage Range	Vdc	4-6	18-32
Max. Logic Supply Current @ Nominal Vcc	mA	13	9
Nominal Input Resistance (Rx)	W	150	2700
Minimum Drop-Out Voltage	Vdc	1	1
Maximum Reverse Logic Voltage	Vdc	-5	-5
Maximum Clamping Voltage	Vdc	80	80

Available from your local Grayhill Distributor. For prices and discounts, contact a local Sales Office, an authorized local Distributor or Grayhill.