



Chipsmall Limited consists of a professional team with an average of over 10 year of expertise in the distribution of electronic components. Based in Hongkong, we have already established firm and mutual-benefit business relationships with customers from,Europe,America and south Asia,supplying obsolete and hard-to-find components to meet their specific needs.

With the principle of "Quality Parts,Customers Priority,Honest Operation,and Considerate Service",our business mainly focus on the distribution of electronic components. Line cards we deal with include Microchip,ALPS,ROHM,Xilinx,Pulse,ON,Everlight and Freescale. Main products comprise IC,Modules,Potentiometer,IC Socket,Relay,Connector.Our parts cover such applications as commercial,industrial, and automotives areas.

We are looking forward to setting up business relationship with you and hope to provide you with the best service and solution. Let us make a better world for our industry!



Contact us

Tel: +86-755-8981 8866 Fax: +86-755-8427 6832

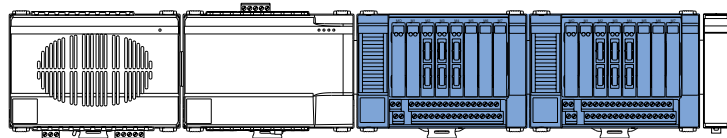
Email & Skype: info@chipsmall.com Web: www.chipsmall.com

Address: A1208, Overseas Decoration Building, #122 Zhenhua RD., Futian, Shenzhen, China



BASES 16 Channel

- Automatically Detects OpenLine® I/O Modules Types
- Fast Memory Bus Interface to OpenLine® Controllers
- Performs 500 microsecond Scans of all Digital I/O Modules
- Multiple Termination Options
- Stack up to Eight Bases for 128 I/O Modules
- Small Footprint
- DIN Rail Mountable
- UL, CSA, CE Certified
(See Engineering Info on p. L-3)

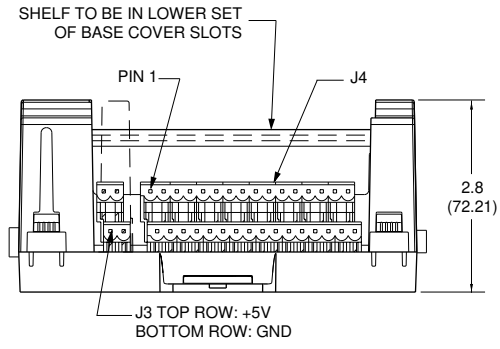
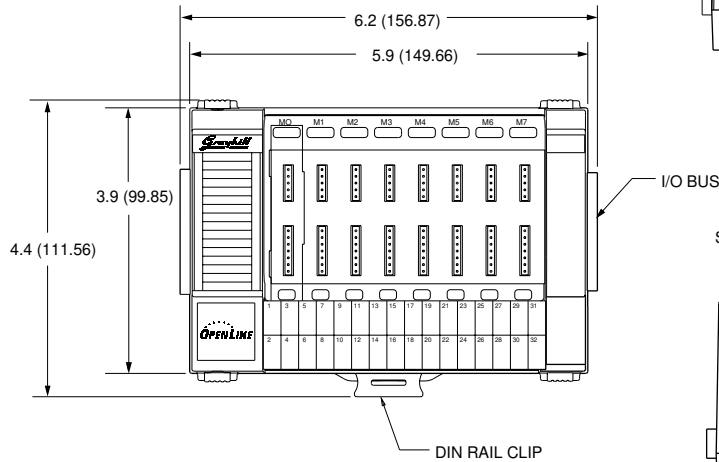


TWO 16 CHANNEL BASE UNITS ON OPENLINE® SYSTEM

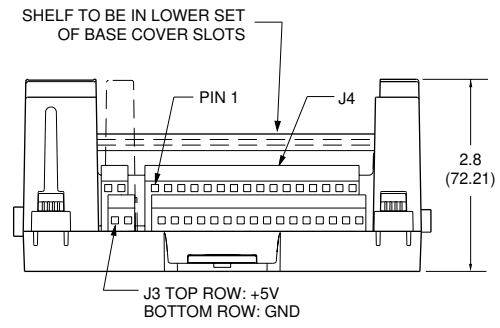
16 CHANNEL BASE: OpenLine® Smart Base with Memory Mapped I/O

Part No. 7SLIOB16

Dimensions are shown in inches (and millimeters).
All tolerances are ± 0.010 (0,25) unless otherwise specified.



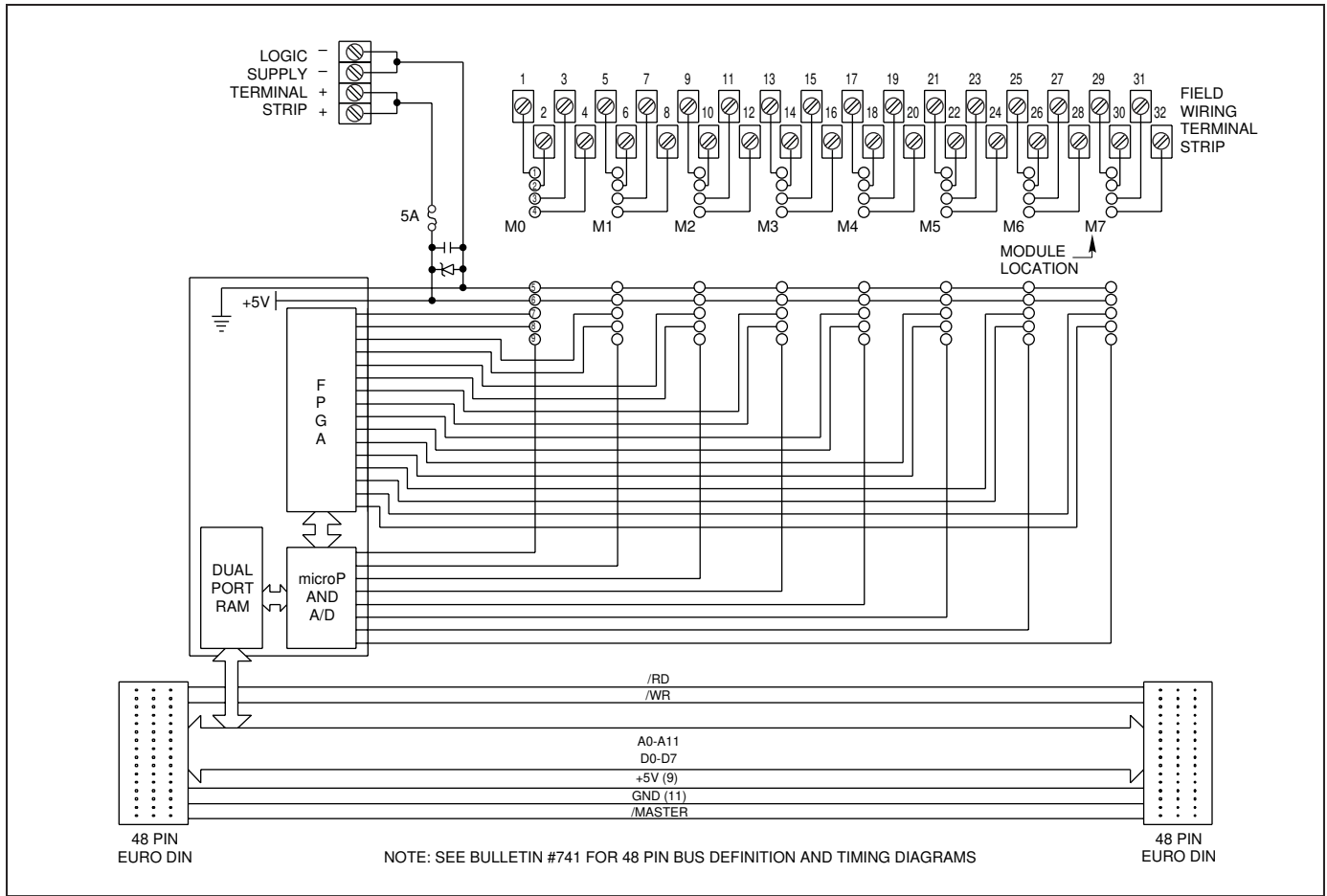
7SLIOB16P (WP VERSION SOLD WITH PLUGS)



7SLIOB16

OpenLine® Control System

SCHEMATIC: Part No. 7SLIOB16 Smart Base with Memory Mapped I/O



ORDERING INFORMATION (modules ordered separately)

Part Number	I/O	Description	UL	CSA	Style
7SLIOB16	16	Smart bases with dual port RAM interface. 48-pin Euro DIN logic signal connector. DIN rail mount.	X	X	OpenLine®
7SLIOB16P	16	Pluggable terminator (w/o plug)	X	X	OpenLine®
7SLIOB16WP	16	Pluggable terminator (w/plug)	X	X	OpenLine®
70L-JUMP6	16	Six position jumper bar			OpenLine®

For General Control System Information see pages L-39 to L-42.

ACCESSORIES

See page L-54

Available from your local Grayhill Distributor. For prices and discounts, contact a local Sales Office, an authorized local Distributor or Grayhill.

DIMENSIONS: Jumper Bars

