



Chipsmall Limited consists of a professional team with an average of over 10 year of expertise in the distribution of electronic components. Based in Hongkong, we have already established firm and mutual-benefit business relationships with customers from,Europe,America and south Asia,supplying obsolete and hard-to-find components to meet their specific needs.

With the principle of “Quality Parts,Customers Priority,Honest Operation,and Considerate Service”,our business mainly focus on the distribution of electronic components. Line cards we deal with include Microchip,ALPS,ROHM,Xilinx,Pulse,ON,Everlight and Freescale. Main products comprise IC,Modules,Potentiometer,IC Socket,Relay,Connector.Our parts cover such applications as commercial,industrial, and automotives areas.

We are looking forward to setting up business relationship with you and hope to provide you with the best service and solution. Let us make a better world for our industry!



## Contact us

Tel: +86-755-8981 8866 Fax: +86-755-8427 6832

Email & Skype: info@chipsmall.com Web: www.chipsmall.com

Address: A1208, Overseas Decoration Building, #122 Zhenhua RD., Futian, Shenzhen, China

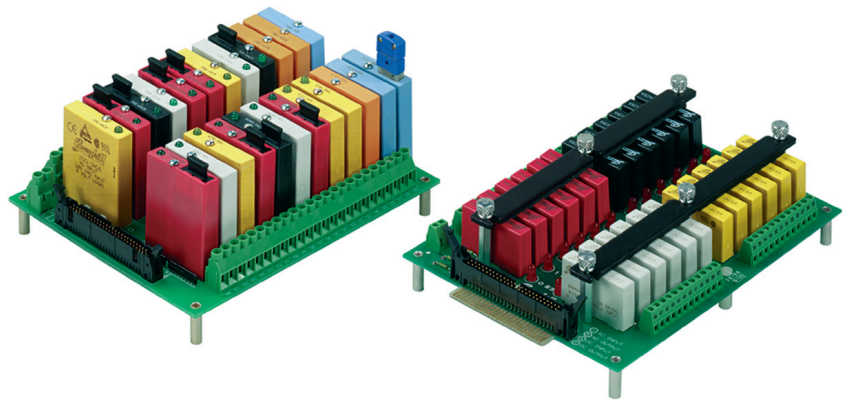


# RACKS

## 24 Channel

### FEATURES

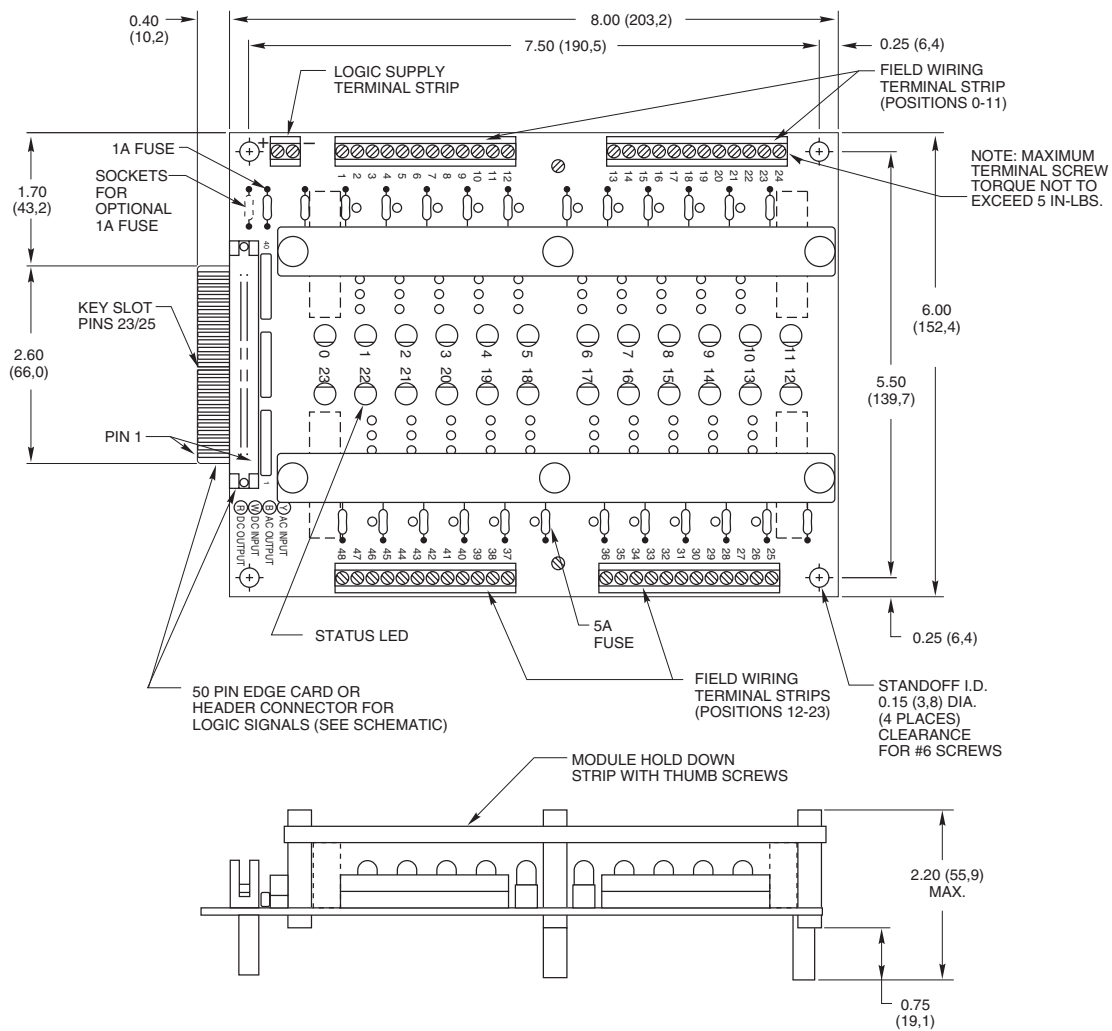
- For use with System 50 Style Controllers
- Available for Miniature, G5 and OpenLine® Modules
- UL, CSA Certified



### 24 CHANNEL RACK: Miniature

**Part No. 70MRCQ24**

Dimensions are shown in inches (and millimeters).  
Tolerances are  $\pm 0.010$  (0,25) unless otherwise specified.



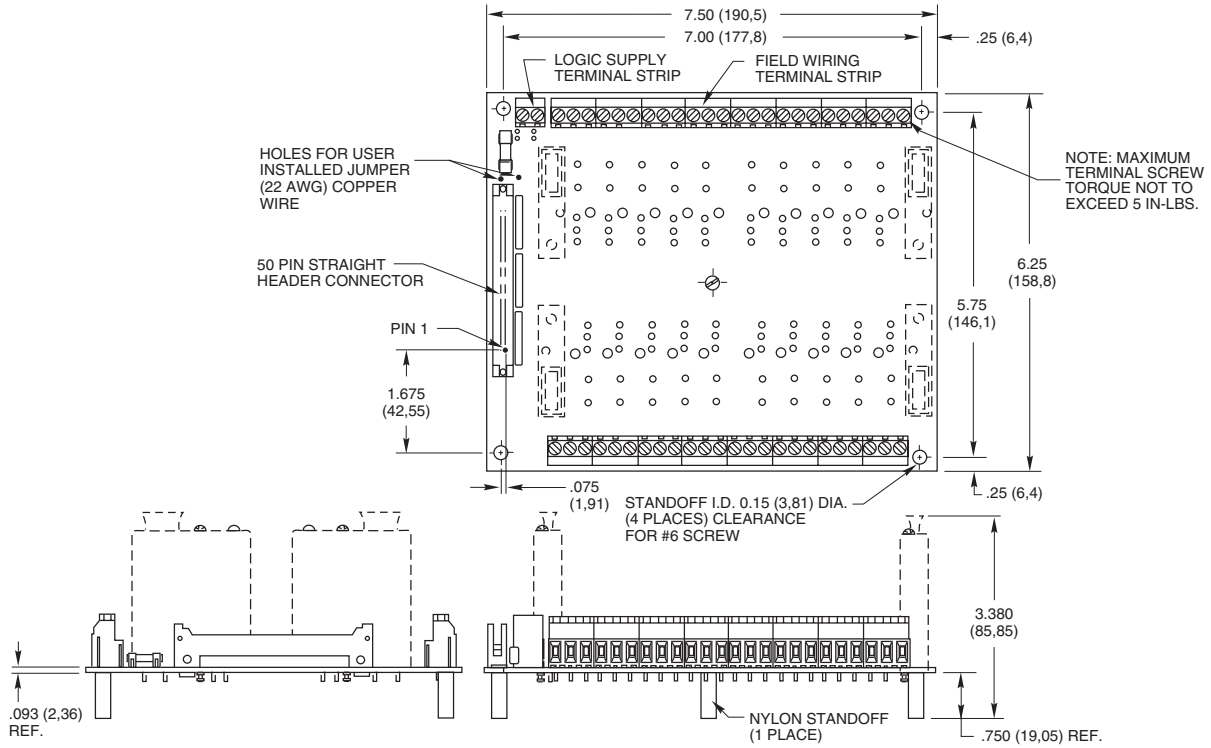
System 50

**24 CHANNEL RACK: G5**

**Part No. 70GRCQ24**

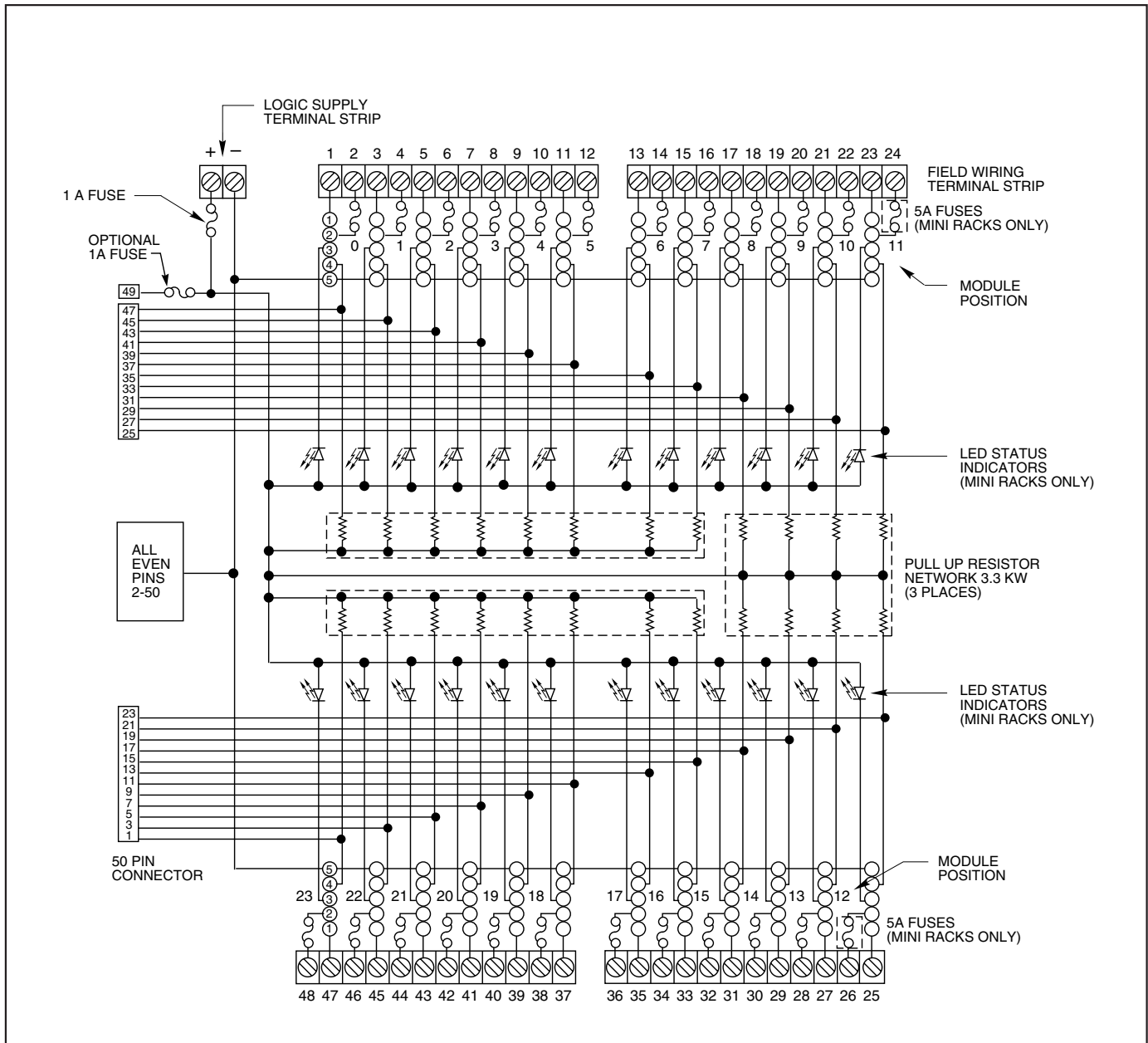
Dimensions are shown in inches  
(and millimeters).

All tolerances are  $\pm 0.010$  (0,25)  
unless otherwise specified.





**SCHEMATIC: PART NO. 70MRCQ24 AND 70GRCQ24**



**ORDERING INFORMATION** (modules ordered separately)

Part Number	I/O	Description	UL	CSA	Style
70MRCQ24-EC	24	Card edge	X	X	Mini
70MRCQ24-HL	24	50-pin header with ejector levers	X	X	Mini
70GRCQ24-HL	24	50-pin header with ejector levers	X	X	G5

Available from your local Grayhill Distributor. For prices and discounts, contact a local Sales Office, an authorized local Distributor, or Grayhill.