



Chipsmall Limited consists of a professional team with an average of over 10 year of expertise in the distribution of electronic components. Based in Hongkong, we have already established firm and mutual-benefit business relationships with customers from,Europe,America and south Asia,supplying obsolete and hard-to-find components to meet their specific needs.

With the principle of “Quality Parts,Customers Priority,Honest Operation,and Considerate Service”,our business mainly focus on the distribution of electronic components. Line cards we deal with include Microchip,ALPS,ROHM,Xilinx,Pulse,ON,Everlight and Freescale. Main products comprise IC,Modules,Potentiometer,IC Socket,Relay,Connector.Our parts cover such applications as commercial,industrial, and automotives areas.

We are looking forward to setting up business relationship with you and hope to provide you with the best service and solution. Let us make a better world for our industry!



Contact us

Tel: +86-755-8981 8866 Fax: +86-755-8427 6832

Email & Skype: info@chipsmall.com Web: www.chipsmall.com

Address: A1208, Overseas Decoration Building, #122 Zhenhua RD., Futian, Shenzhen, China





MATERIALS AND FINISH

Material:

6061-T6 Aluminum alloy per QQ-A-250/8

Finish:

Customer specified

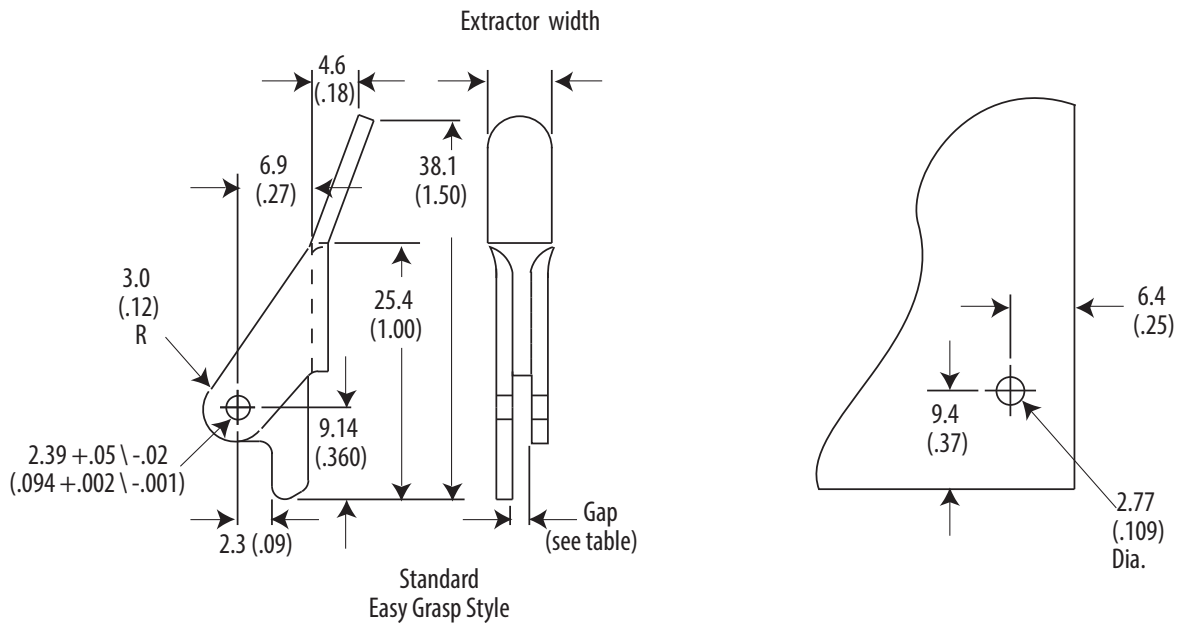
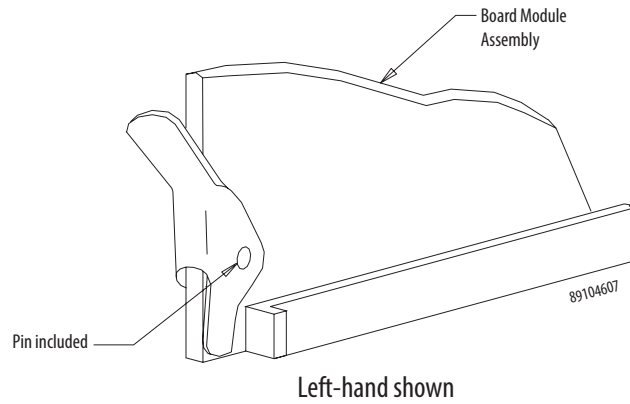
WEIGHT

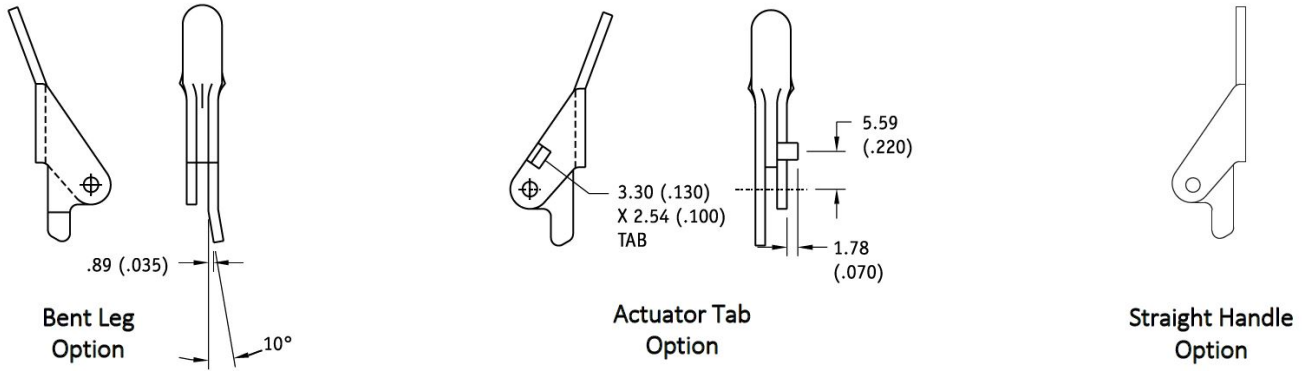
Aluminum: .05 oz. (1.42 g)

Stainless Steel: .15 oz. (4.25 g)

APPLICATION DATA

Two (2) extractors are recommended per board. (One "L" and one "R" per printed circuit board). Provides extraction travel of 11.4 (.45) minimum, with a mechanical advantage of 4.5:1





The bent leg option is required when using the extractor with Lok Tainers for PCB retention within sheet metal (non-cold wall) applications. Additionally, if using a lever actuated Lok Tainer, the actuator tab will work in conjunction with the lever to release the PCB.

Part Number Code	
Series 71 Extractor	
P S 71 T6 - 2 - L - A - CC - BL - E	
Assembly Pin	
Pre assembled _____ P	
Loose _____ [blank]	
Handle	
Straight _____ S	
Bent (easy grip) _____ [blank]	
Material	
6061 Aluminum Alloy _____ T6	
Or select from Materials Table	
Board Thickness	
1.6 (.063) _____ 2	
Or choose from the Board Thickness Table	
Orientation	
Left _____ L	
Right _____ R	
Actuator Tab option	
With actuator tab (for use with Lever Lok Tainers) _____ A	
No tab _____ [blank]	
Finish	
Clear chem film _____ CC	
Or choose from Finish Table	
Leg Option	
Bent (for compatibility with Lok Tainers) _____ BL	
No bent leg _____ [blank]	
ESD Symbol	
ESD silkscreen _____ E	
No ESD symbol _____ [blank]	

MATERIALS TABLE

DASH #	MATERIAL
[blank]	.063 ALUMINUM ALLOY 5052-H32 PER QQ-A-250/8
T6	.063 ALUMINUM ALLOY 6061-T6
CR	.063 STAINLESS STEEL

BOARD THICKNESS TABLE

DASH #	THICKNESS	A	MAX
-1	0.787 (.031)	6.35 (.25)	6.60 (.26)
-2	1.600 (.063)	6.35 (.25)	7.37 (.29)
-3	2.390 (.094)	6.35 (.25)	7.37 (.29)
-4	3.180 (.125)	7.37 (.29)	8.38 (.33)
-5	3.960 (.156)	7.37 (.29)	8.38 (.33)

FINISH TABLE

DASH #	FINISH	COLOR
-1	ANODIZE PER MIL-A-8625	RED
-2	ANODIZE PER MIL-A-8625	BLUE
-3	ANODIZE PER MIL-A-8625	GREEN
-4	ANODIZE PER MIL-A-8625	YELLOW
-5	ANODIZE PER MIL-A-8625	BLACK
-6	ANODIZE PER MIL-A-8625	ORANGE
-7	ANODIZE PER MIL-A-8625	PURPLE
-8	ANODIZE PER MIL-A-8625	GRAY
-9	ANODIZE PER MIL-A-8625	BROWN
-10	ANODIZE PER MIL-A-8625	CLEAR
-CC	CHEM FILM PER MIL-C-5541	CLEAR
[blank]	CHEM FILM PER MIL-C-5541	GOLD