



Chipsmall Limited consists of a professional team with an average of over 10 year of expertise in the distribution of electronic components. Based in Hongkong, we have already established firm and mutual-benefit business relationships with customers from,Europe,America and south Asia,supplying obsolete and hard-to-find components to meet their specific needs.

With the principle of “Quality Parts,Customers Priority,Honest Operation,and Considerate Service”,our business mainly focus on the distribution of electronic components. Line cards we deal with include Microchip,ALPS,ROHM,Xilinx,Pulse,ON,Everlight and Freescale. Main products comprise IC,Modules,Potentiometer,IC Socket,Relay,Connector.Our parts cover such applications as commercial,industrial, and automotives areas.

We are looking forward to setting up business relationship with you and hope to provide you with the best service and solution. Let us make a better world for our industry!



Contact us

Tel: +86-755-8981 8866 Fax: +86-755-8427 6832

Email & Skype: info@chipsmall.com Web: www.chipsmall.com

Address: A1208, Overseas Decoration Building, #122 Zhenhua RD., Futian, Shenzhen, China



Series 71

Characteristics

The compact 16mm Series 71 is particularly suited for:

- Flush design
- PCB mounting

The product range includes special switching elements for direct PCB installation.

Functions

The Series 71 incorporates the following functions:

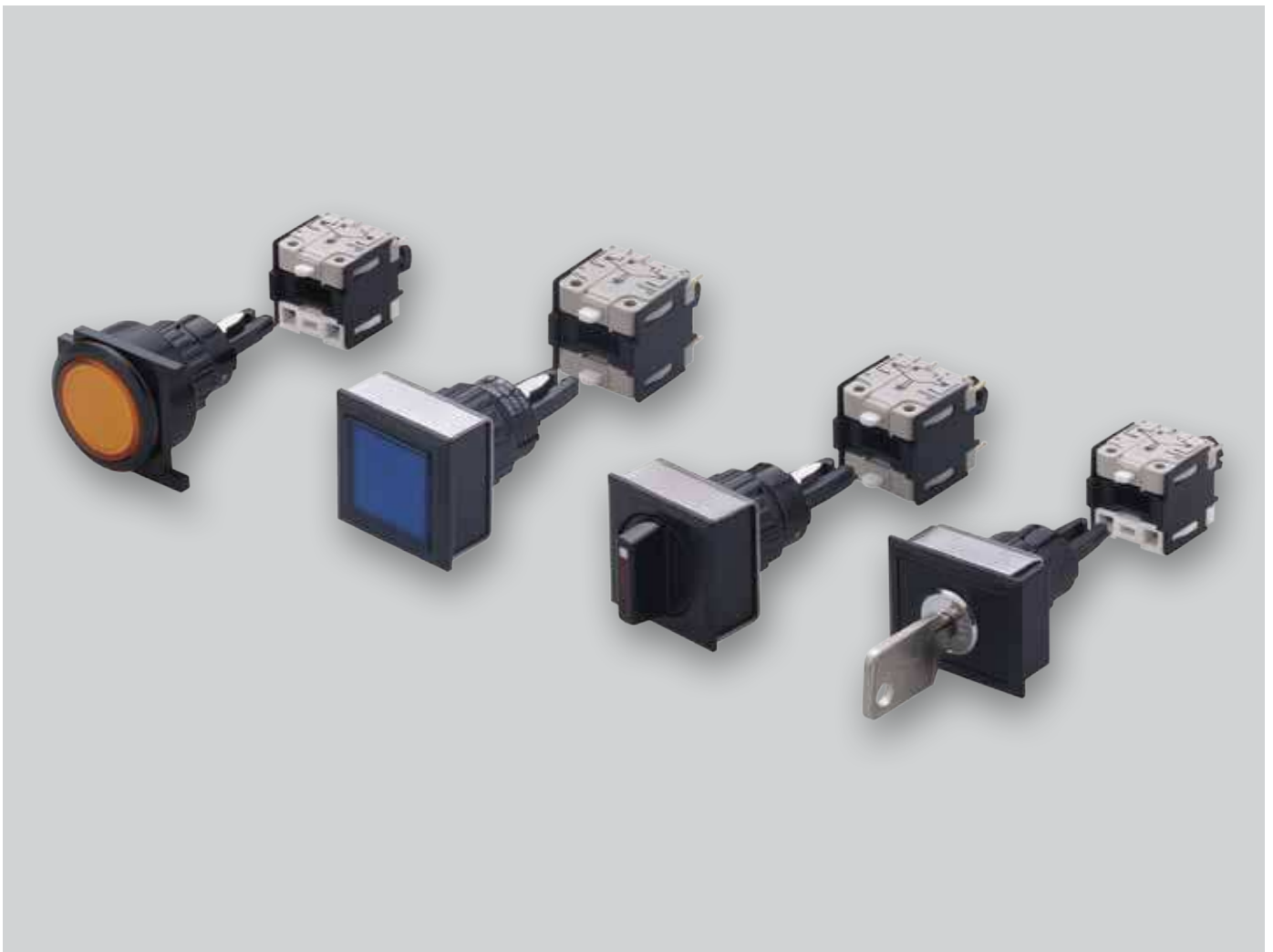
- Indicator
- Pushbutton
- Illuminated pushbutton
- Keylock switch
- Selector switch

Market segments

The EAO Series 71 is especially suited for applications in the segments:

- Public transportation
- Machinery and Automation
- Construction machines and special-purpose vehicles
- Lifting and moving
- Panel building

Please refer to the EAO website to obtain detailed information regarding this series www.products.eao.com
Configure a product to your exact needs and request a quotation.



Overview	
Flush design	
Indicator	694
Illuminated pushbutton	697
Mushroom-head pushbutton	700
Keylock switch	701
Selector switch	711
Accessories	715
Drawings	733
Technical data	734
Marking	736
Application guidelines	737

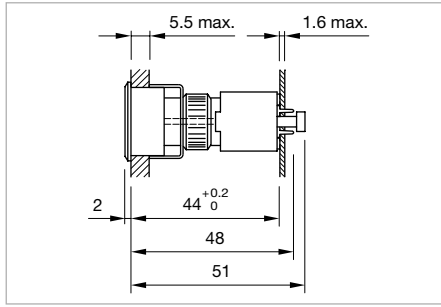
01
02
03
04
10
14
17
18
19
22
31
41
44
51
56
57
61
70
71
82
84
92
95
96
97
99
ST

71 Flush design

Indicator square, IP 65

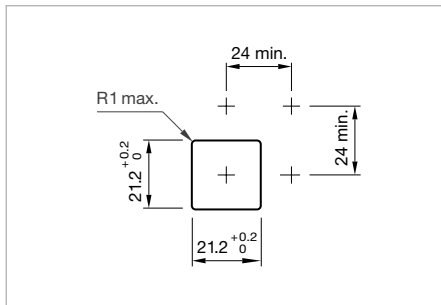


Product can differ from the current configuration.



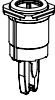

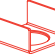




Additional Information

- For front dimension 24 x 24 mm
- Pitch of the front plate mounting cut-outs must agree with the printed circuit board holes \varnothing 3.5




Equipment consisting of (schematic overview)

	Lens	page 715
	Single-LED	page 730
	Actuator	
	Front bezel set	page 720
	Fixing nut	
	Lamp element	page 727
	Interlocking pin	



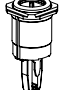
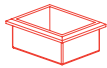



Each Part Number listed below includes all the black components shown in the 3D-drawing.

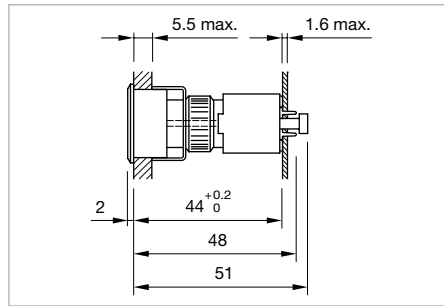
To obtain a complete unit, please select the red components from the pages shown.

Part No.	Weight
 Indicator actuator square	
71-600.0	0.005 kg

Indicator rectangular, IP 65

Equipment consisting of (schematic overview)

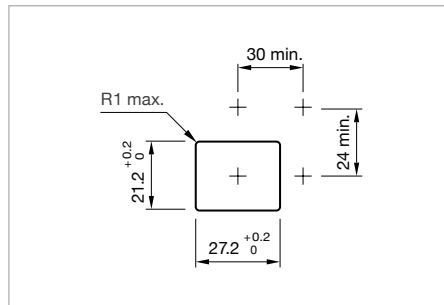
-  **Lens** page 715
-  **Single-LED** page 730
-  **Actuator**
-  **Front bezel set** page 720
-  **Fixing nut**
-  **Lamp element** page 727
-  **Interlocking pin**



Dimensions [mm]



Product can differ from the current configuration.




Mounting cut-outs [mm]

Additional Information

- For front dimension 24 x 30 mm
- Pitch of the front plate mounting cut-outs must agree with the printed circuit board holes $\varnothing 3.5$

Each Part Number listed below includes all the black components shown in the 3D-drawing.

To obtain a complete unit, please select the red components from the page s shown.

Part No.	Weight
 <p>Indicator actuator rectangular</p>	
71-600.0	0.005 kg

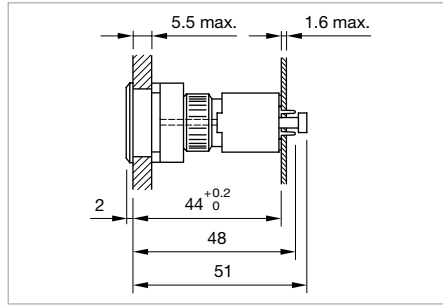
01
02
03
04
10
14
17
18
19
22
31
41
44
51
56
57
61
70
71
82
84
92
95
96
97
99
ST

71 Flush design

Indicator round, IP 65



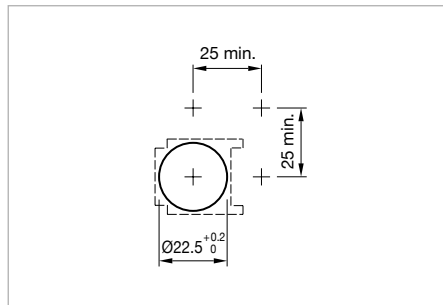
Product can differ from the current configuration.



Dimensions [mm]

Additional Information

- For front dimension $\varnothing 25$ mm
- Pitch of the front plate mounting cut-outs must agree with the printed circuit board holes $\varnothing 3.5$



Mounting cut-outs [mm]

Equipment consisting of (schematic overview)

	Lens	page 715
	Single-LED	page 730
	Actuator	
	Front bezel set	page 720
	Fixing nut	
	Lamp element	page 727
	Interlocking pin	



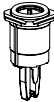

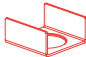
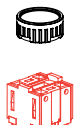

Each Part Number listed below includes all the black components shown in the 3D-drawing.

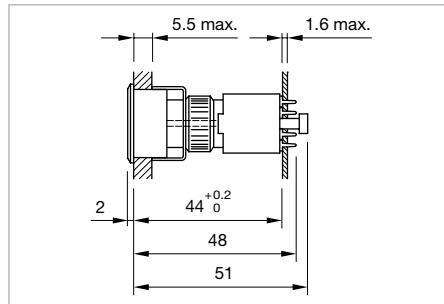
To obtain a complete unit, please select the red components from the pages shown.

Part No.	Weight
 Indicator actuator round	
71-600.0	0.005 kg

Illuminated pushbutton square, IP 65

Equipment consisting of (schematic overview)

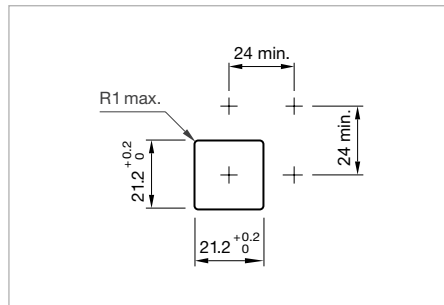
-  **Lens** page 715
-  **Single-LED** page 730
-  **Actuator**
-  **Front bezel set** page 720
-  **Fixing nut**
-  **Switching element** page 727
-  **Interlocking pin**



Dimensions [mm]



Product can differ from the current configuration.



Mounting cut-outs [mm]

Additional Information

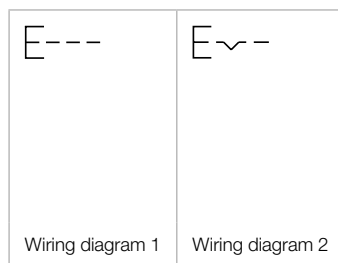
- For front dimension 24 x 24 mm
- Pitch of the front plate mounting cut-outs must agree with the printed circuit board holes $\varnothing 3.5$

Each Part Number listed below includes all the black components shown in the 3D-drawing.

To obtain a complete unit, please select the red components from the pages shown.

Switching action	Part No.	Wiring diagram	Weight
 <p>Illuminated pushbutton actuator square</p>	B	1	0.005 kg
	C	2	0.005 kg

Switching action: B = Momentary, C = Maintain

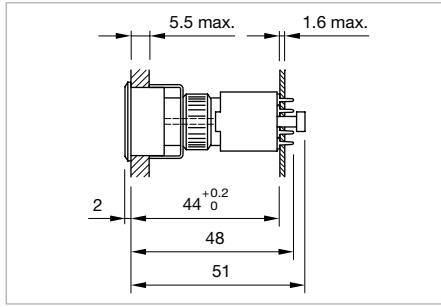


71 Flush design

Illuminated pushbutton rectangular, IP 65



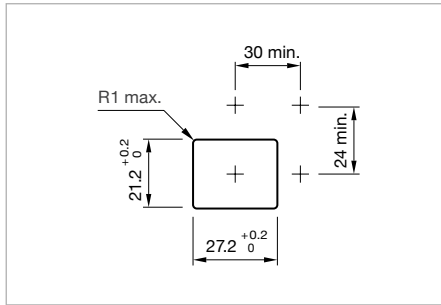
Product can differ from the current configuration.



Dimensions [mm]



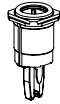
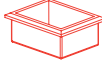



Additional Information

- For front dimension 24 x 30 mm
- Pitch of the front plate mounting cut-outs must agree with the printed circuit board holes \varnothing 3.5




Mounting cut-outs [mm]

Equipment consisting of (schematic overview)

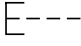
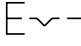
	Lens	page 715
	Single-LED	page 730
	Actuator	
	Front bezel set	page 720
	Fixing nut	
	Switching element	page 727
	Interlocking pin	

Each Part Number listed below includes all the black components shown in the 3D-drawing.

To obtain a complete unit, please select the red components from the pages shown.

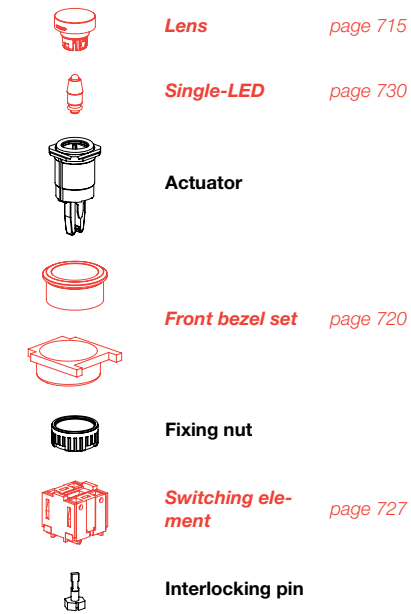
Switching action	Part No.	Wiring diagram	Weight
 <p>Illuminated pushbutton actuator rectangular</p>	B	1	0.005 kg
	C	2	0.005 kg

Switching action: B = Momentary, C = Maintain

	
Wiring diagram 1	Wiring diagram 2

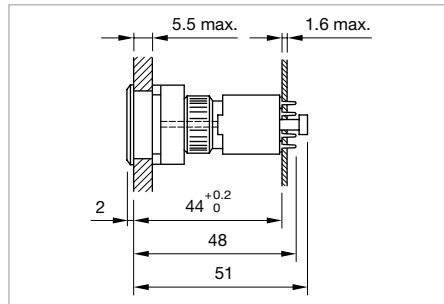
Illuminated pushbutton round, IP 65

Equipment consisting of (schematic overview)

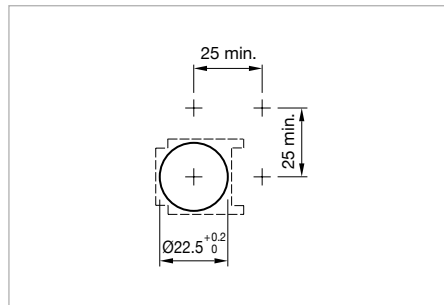


Each Part Number listed below includes all the black components shown in the 3D-drawing.

To obtain a complete unit, please select the red components from the pages shown.



Dimensions [mm]




Mounting cut-outs [mm]



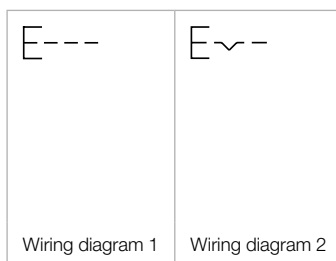
Product can differ from the current configuration.

Additional Information

- For front dimension $\varnothing 25$ mm
- Pitch of the front plate mounting cut-outs must agree with the printed circuit board holes $\varnothing 3.5$

Switching action	Part No.	Wiring diagram	Weight
 <p>Illuminated pushbutton actuator round</p>			
	B	71-611.0	1
C	71-612.0	2	0.005 kg

Switching action: B = Momentary, C = Maintain

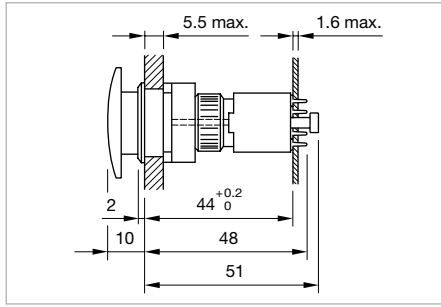


71 Flush design

Mushroom-head pushbutton, IP 65



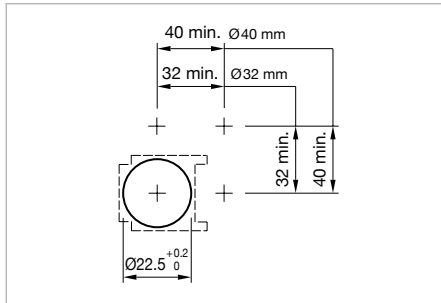
Product can differ from the current configuration.



Dimensions [mm]

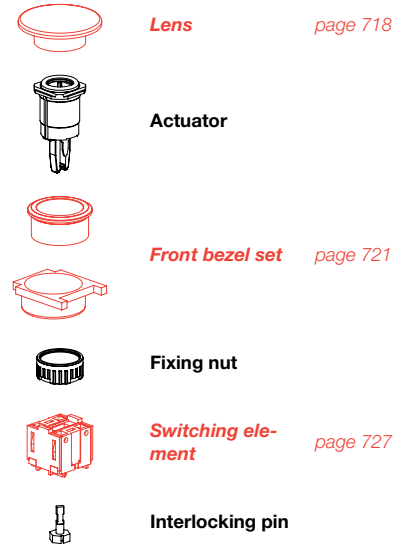
Additional Information

- Pitch of the front plate mounting cut-outs must agree with the printed circuit board holes $\varnothing 3.5$




Mounting cut-outs [mm]

Equipment consisting of (schematic overview)

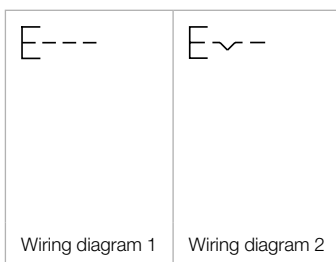


Each Part Number listed below includes all the black components shown in the 3D-drawing.

To obtain a complete unit, please select the red components from the pages shown.

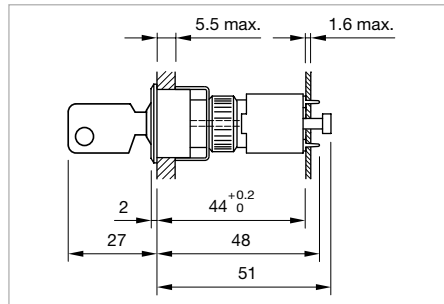
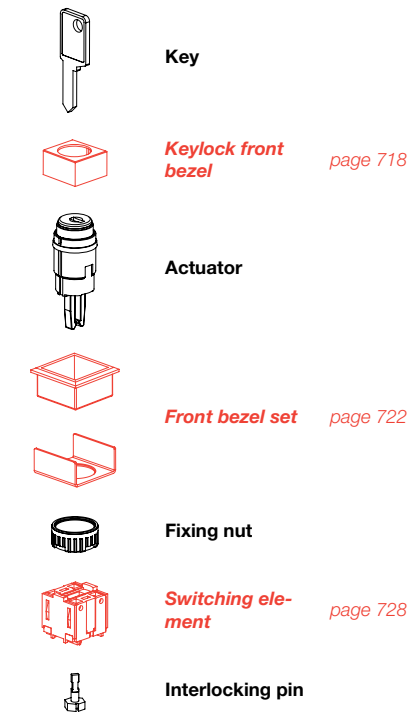
Switching action	Part No.	Wiring diagram	Weight
 <p>Mushroom-head pushbutton actuator, Front dimension $\varnothing 32$ mm</p>	71-611.0	1	0.005 kg
	71-612.0	2	0.005 kg

Switching action: B = Momentary, C = Maintain

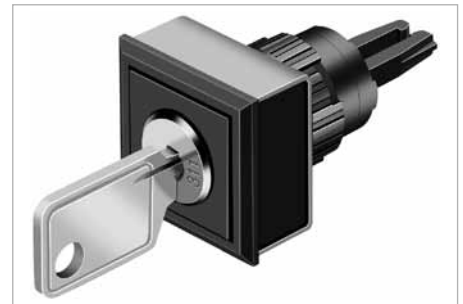


Keylock switch 2 positions square, IP 65

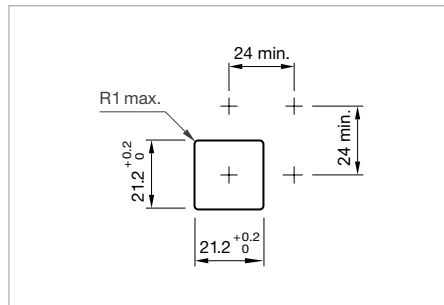
Equipment consisting of (schematic overview)



Dimensions [mm]



Product can differ from the current configuration.



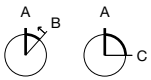
Mounting cut-outs [mm]

Additional Information


- For front dimension 24 x 24 mm
- The standard lock: DOM 311
- Two keys are supplied with each key lock switch
- Optional lock numbers on request
- Pitch of the front plate mounting cut-outs must agree with the printed circuit board holes $\varnothing 3.5$

Each Part Number listed below includes all the black components shown in the 3D-drawing.

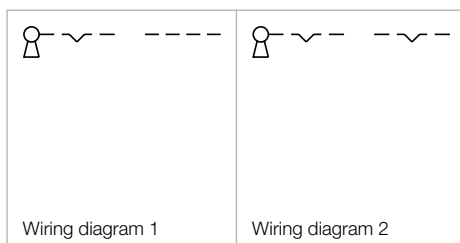
To obtain a complete unit, please select the red components from the pages shown.



Switching positions (A = Rest, B = Momentary, C = Maintained)

Switching action	Switching angle	Key remove	Part No.	Wiring diagram	Weight
 Keylock switch actuator 2 positions square					
A - B	B = 42°	A	71-621.0/D	1	0.003 kg
A - C	C = 90°	A	71-622.0/D	2	0.003 kg
		C	71-623.0/D	2	0.003 kg
		A + C	71-624.0/D	2	0.003 kg

Switching action: A = Rest, B = Momentary, C = Maintain

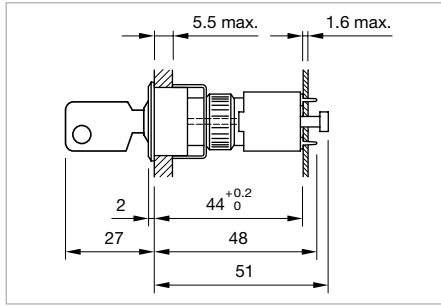


71 Flush design

Keylock switch 2 positions rectangular, IP 65

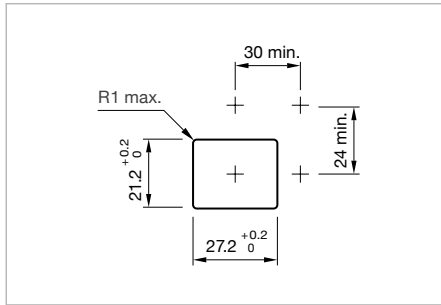


Product can differ from the current configuration.

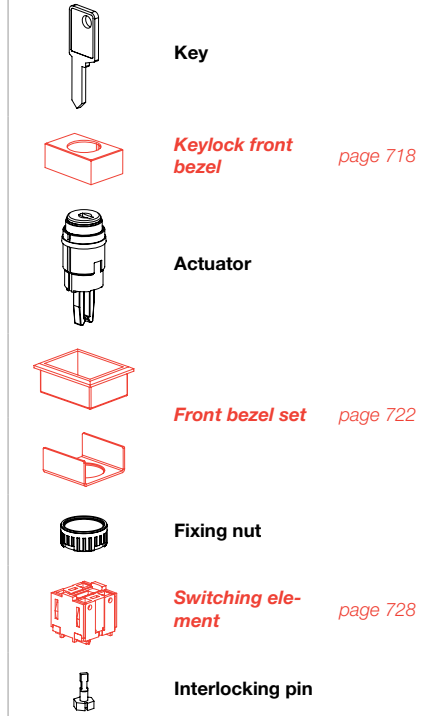


Additional Information

- For front dimension 24 x 30 mm
- The standard lock: DOM 311
- Two keys are supplied with each key lock switch
- Optional lock numbers on request
- Pitch of the front plate mounting cut-outs must agree with the printed circuit board holes Ø 3.5

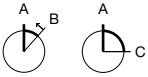


Equipment consisting of (schematic overview)




Each Part Number listed below includes all the black components shown in the 3D-drawing.

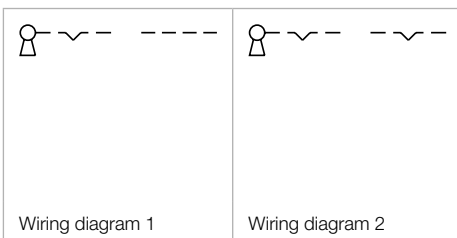
To obtain a complete unit, please select the red components from the pages shown.



Switching positions (A = Rest, B = Momentary, C = Maintained)

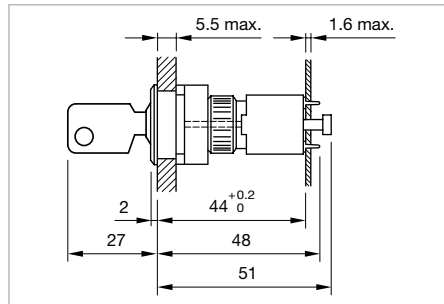
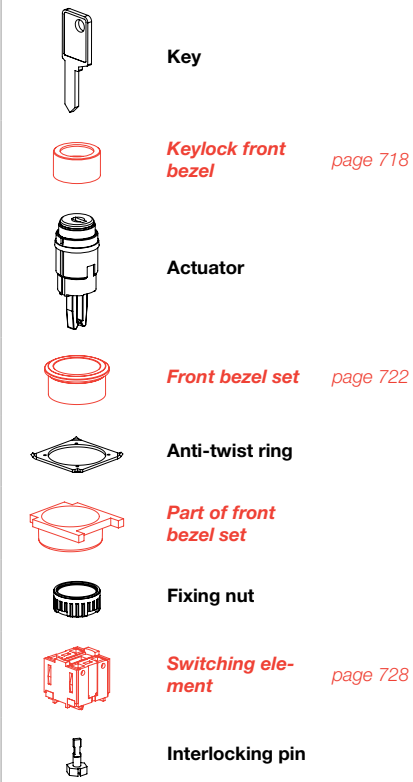
Switching action	Switching angle	Key remove	Part No.	Wiring diagram	Weight
 Keylock switch actuator 2 positions rectangular					
A - B	B = 42°	A	71-621.0/D	1	0.003 kg
A - C	C = 90°	A	71-622.0/D	2	0.003 kg
		C	71-623.0/D	2	0.003 kg
		A + C	71-624.0/D	2	0.003 kg

Switching action: A = Rest, B = Momentary, C = Maintain



Keylock switch 2 positions round, IP 65

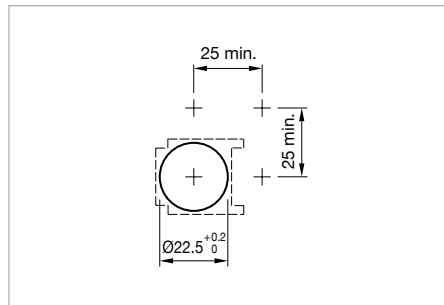
Equipment consisting of (schematic overview)



Dimensions [mm]



Product can differ from the current configuration.



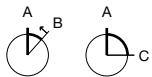
Mounting cut-outs [mm]

Additional Information


- For front dimension \varnothing 25 mm
- The standard lock: DOM 311
- Two keys are supplied with each key lock switch
- Optional lock numbers on request
- Pitch of the front plate mounting cut-outs must agree with the printed circuit board holes \varnothing 3.5

Each Part Number listed below includes all the black components shown in the 3D-drawing.

To obtain a complete unit, please select the red components from the page s shown.



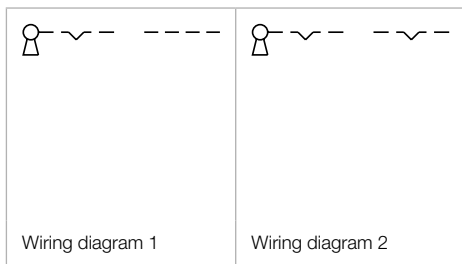
Switching positions (A = Rest, B = Momentary, C = Maintained)

Switching action	Switching angle	Key remove	Part No.	Wiring diagram	Weight
					
Keylock switch actuator 2 positions round					
A - B	B = 42°	A	71-621.0/D	1	0.003 kg
A - C	C = 90°	A	71-622.0/D	2	0.003 kg
		C	71-623.0/D	2	0.003 kg
		A + C	71-624.0/D	2	0.003 kg

Switching action: A = Rest, B = Momentary, C = Maintain

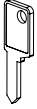

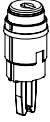




71 Flush design

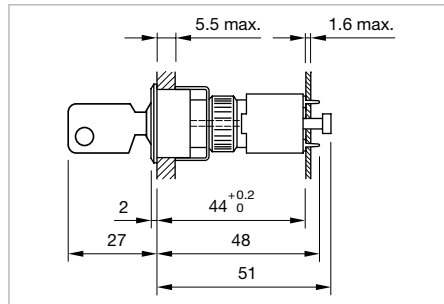
- 01
- 02
- 03
- 04
- 10
- 14
- 17
- 18
- 19
- 22
- 31
- 41
- 44
- 51
- 56
- 57
- 61
- 70
- 71**
- 82
- 84
- 92
- 95
- 96
- 97
- 99
- ST



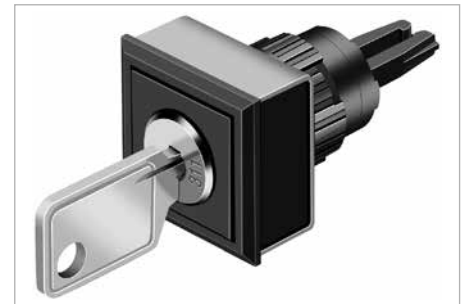
Keylock switch 3 positions square, IP 65

Equipment consisting of (schematic overview)

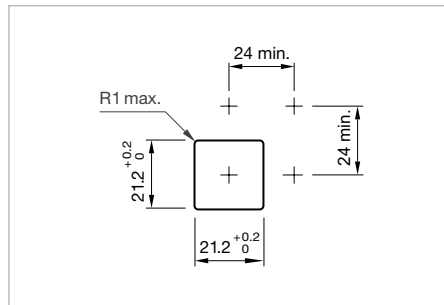
-  **Key**
-  **Keylock front bezel** page 718
-  **Actuator**
-  **Front bezel set** page 722
-  **Fixing nut**
-  **Switching element** page 728
-  **Interlocking pin**



Dimensions [mm]



Product can differ from the current configuration.



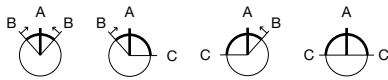
Mounting cut-outs [mm]

Additional Information


- For front dimension 24 x 24 mm
- The standard lock: DOM 311
- Two keys are supplied with each key lock switch
- Optional lock numbers on request
- Pitch of the front plate mounting cut-outs must agree with the printed circuit board holes $\varnothing 3.5$

Each Part Number listed below includes all the black components shown in the 3D-drawing.

To obtain a complete unit, please select the red components from the pages shown.



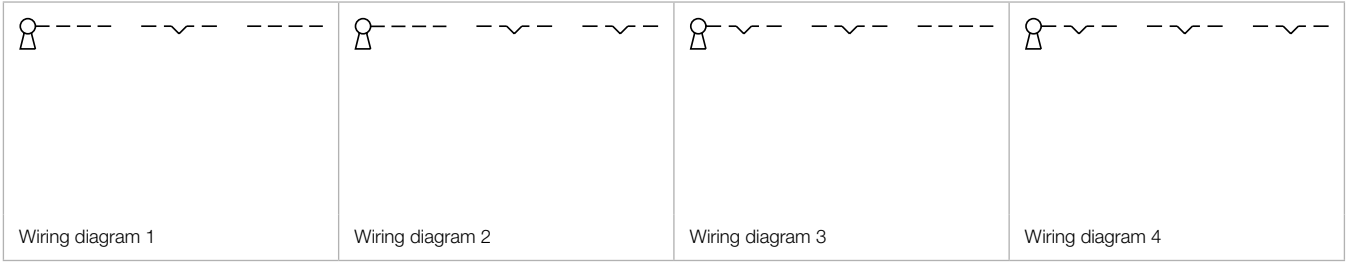
Switching positions (A = Rest, B = Momentary, C = Maintained)

Switching action	Switching angle	Key remove	Part No.	Wiring diagram	Weight
 Keylock switch actuator 3 positions square					
B - A - B	B = 42° / 42°	A	71-631.0/D	1	0.003 kg
B - A - C	B = 42°, C = 90°	A	71-636.0/D	2	0.003 kg
		A + C	71-637.0/D	2	0.003 kg
C - A - B	C = 90°, B = 42°	A	71-638.0/D	3	0.003 kg
		C + A	71-639.0/D	3	0.003 kg
C - A - C	C = 90° / 90°	A	71-632.0/D	4	0.003 kg
		-- C	71-633.0/D	4	0.003 kg
		C + C	71-634.0/D	4	0.003 kg
		C + A + C	71-635.0/D	4	0.003 kg

Switching action: A = Rest, B = Momentary, C = Maintain

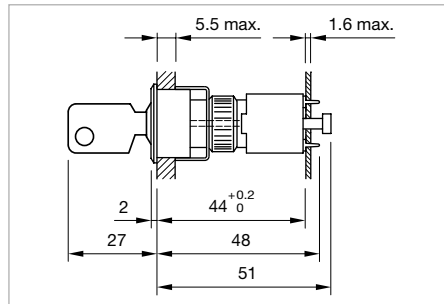
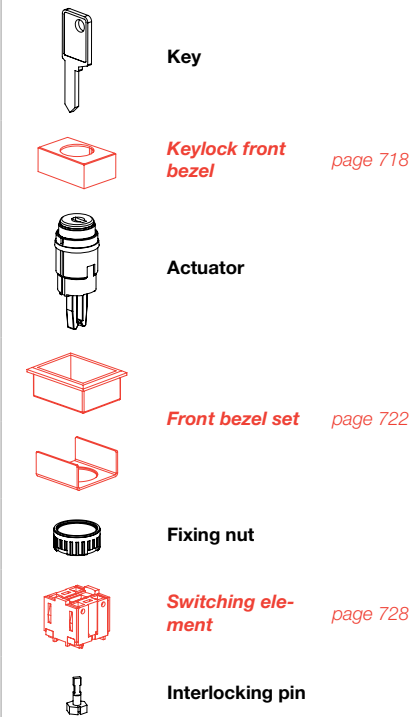
71 Flush design

- 01
- 02
- 03
- 04
- 10
- 14
- 17
- 18
- 19
- 22
- 31
- 41
- 44
- 51
- 56
- 57
- 61
- 70
- 71**
- 82
- 84
- 92
- 95
- 96
- 97
- 99
- ST



Keylock switch 3 positions rectangular, IP 65

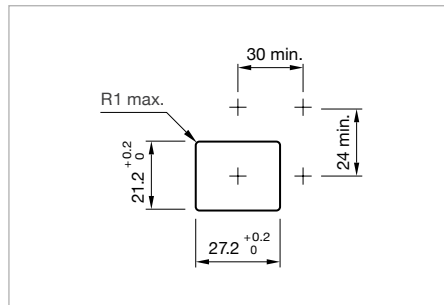
Equipment consisting of (schematic overview)



Dimensions [mm]



Product can differ from the current configuration.



Mounting cut-outs [mm]

Additional Information


- For front dimension 24 x 30 mm
- The standard lock: DOM 311
- Two keys are supplied with each key lock switch
- Optional lock numbers on request
- Pitch of the front plate mounting cut-outs must agree with the printed circuit board holes \varnothing 3.5

Each Part Number listed below includes all the black components shown in the 3D-drawing.

To obtain a complete unit, please select the red components from the pages shown.



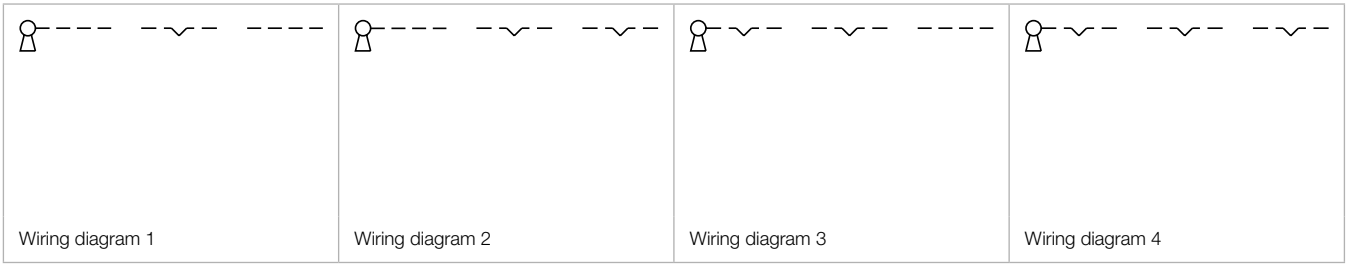
Switching positions (A = Rest, B = Momentary, C = Maintained)

Switching action	Switching angle	Key remove	Part No.	Wiring diagram	Weight
 Keylock switch actuator 3 positions rectangular					
B - A - B	B = 42° / 42°	A	71-631.0/D	1	0.003 kg
B - A - C	B = 42°, C = 90°	A	71-636.0/D	2	0.003 kg
		A + C	71-637.0/D	2	0.003 kg
C - A - B	C = 90°, B = 42°	A	71-638.0/D	3	0.003 kg
		C + A	71-639.0/D	3	0.003 kg
C - A - C	C = 90° / 90°	A	71-632.0/D	4	0.003 kg
		-- C	71-633.0/D	4	0.003 kg
		C + C	71-634.0/D	4	0.003 kg
		C + A + C	71-635.0/D	4	0.003 kg

Switching action: A = Rest, B = Momentary, C = Maintain

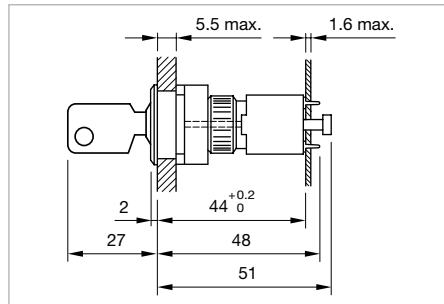
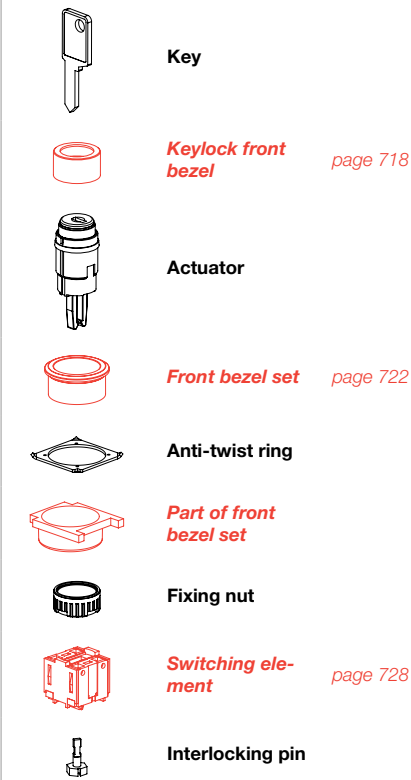
71 Flush design

- 01
- 02
- 03
- 04
- 10
- 14
- 17
- 18
- 19
- 22
- 31
- 41
- 44
- 51
- 56
- 57
- 61
- 70
- 71**
- 82
- 84
- 92
- 95
- 96
- 97
- 99
- ST



Keylock switch 3 positions round, IP 65

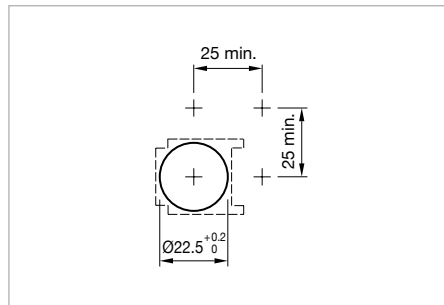
Equipment consisting of (schematic overview)



Dimensions [mm]



Product can differ from the current configuration.



Mounting cut-outs [mm]

Additional Information


- For front dimension Ø 25 mm
- The standard lock: DOM 311
- Two keys are supplied with each key lock switch
- Optional lock numbers on request
- Pitch of the front plate mounting cut-outs must agree with the printed circuit board holes Ø 3.5

Each Part Number listed below includes all the black components shown in the 3D-drawing.

To obtain a complete unit, please select the red components from the pages shown.



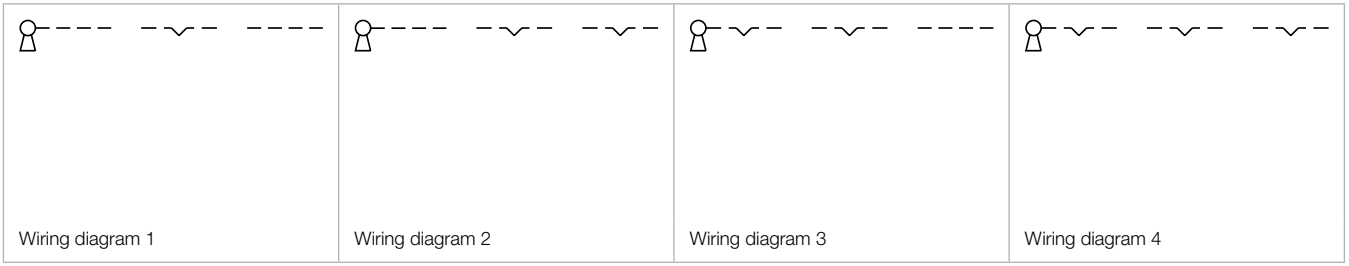
Switching positions (A = Rest, B = Momentary, C = Maintained)

Switching action	Switching angle	Key remove	Part No.	Wiring diagram	Weight
					
Keylock switch actuator 3 positions round					
B - A - B	B = 42° / 42°	A	71-631.0/D	1	0.003 kg
B - A - C	B = 90°, C = 42°	A	71-636.0/D	2	0.003 kg
		A + C	71-637.0/D	2	0.003 kg
C - A - B	C = 90°, B = 42°	A	71-638.0/D	3	0.003 kg
		C + A	71-639.0/D	3	0.003 kg
C - A - C	C = 90° / 90°	A	71-632.0/D	4	0.003 kg
		-- C	71-633.0/D	4	0.003 kg
		C + C	71-634.0/D	4	0.003 kg
		C + A + C	71-635.0/D	4	0.003 kg

Switching action: A = Rest, B = Momentary, C = Maintain



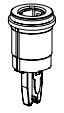
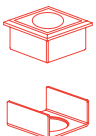

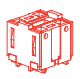

71 Flush design

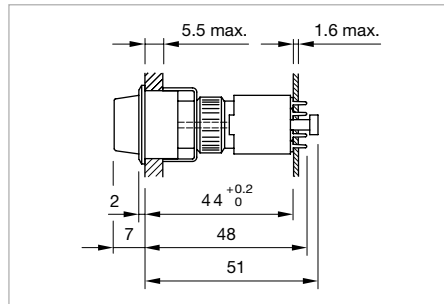
01
02
03
04
10
14
17
18
19
22
31
41
44
51
56
57
61
70
71
82
84
92
95
96
97
99
ST



Selector switch 2 positions square, IP 65

Equipment consisting of (schematic overview)

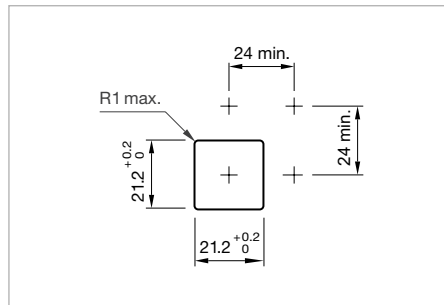
-  **Lever** page 719
-  **Single-LED** page 730
-  **Actuator**
-  **Front bezel set** page 723
-  **Fixing nut**
-  **Switching element** page 728
-  **Interlocking pin**



Dimensions [mm]



Product can differ from the current configuration.



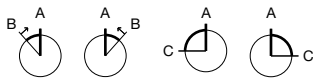
Mounting cut-outs [mm]

Additional Information


- For front dimension 24 x 24 mm
- Illuminative
- Pitch of the front plate mounting cut-outs must agree with the printed circuit board holes $\varnothing 3.5$

Each Part Number listed below includes all the black components shown in the 3D-drawing.

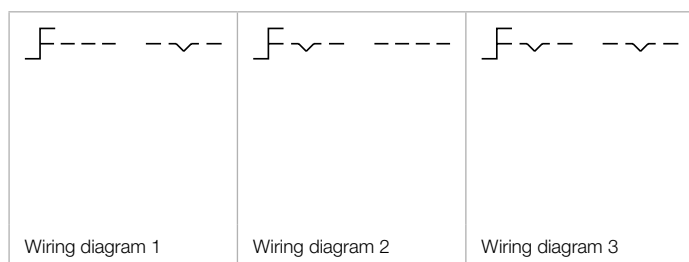
To obtain a complete unit, please select the red components from the pages shown.



Switching positions (A = Rest, B = Momentary, C = Maintained)

Switching action	Switching angle	Part No.	Wiring diagram	Weight
 Selector switch actuator 2 positions square				
B - A	B = 42°	71-641.0	1	0.003 kg
A - B	B = 42°	71-641.0A	2	0.003 kg
C - A	C = 90°	71-642.0	3	0.003 kg
A - C	C = 90°	71-642.0A	3	0.003 kg

Switching action: A = Rest, B = Momentary, C = Maintain

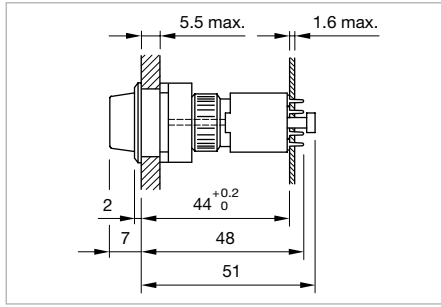


71 Flush design

Selector switch 2 positions round, IP 65

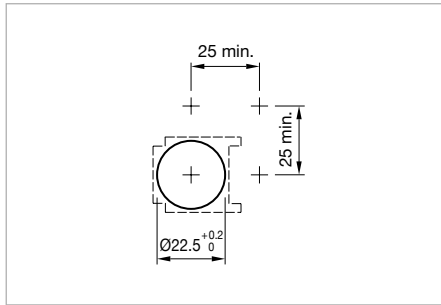


Product can differ from the current configuration.



Additional Information

- For front dimension \varnothing 25 mm
- Illuminative
- Pitch of the front plate mounting cut-outs must agree with the printed circuit board holes \varnothing 3.5

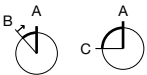


Equipment consisting of (schematic overview)

	Lever	page 719
	Single-LED	page 730
	Actuator	
	Front bezel set	page 723
	Anti-twist ring	
	Part of front bezel set	
	Fixing nut	
	Switching element	page 728
	Interlocking pin	

Each Part Number listed below includes all the black components shown in the 3D-drawing.

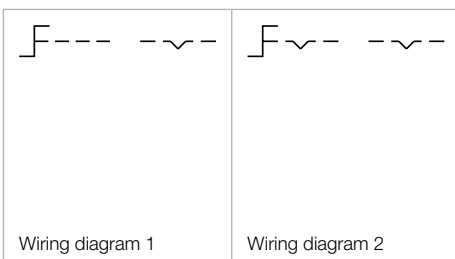
To obtain a complete unit, please select the red components from the pages shown.



Switching positions (A = Rest, B = Momentary, C = Maintained)



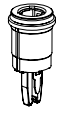
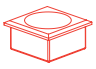
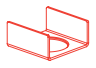
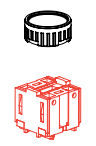

Switching action	Switching angle	Part No.	Wiring diagram	Weight
Selector switch actuator 2 positions round				
B - A	B = 42°	71-641.0	1	0.003 kg
C - A	C = 90°	71-642.0	2	0.003 kg

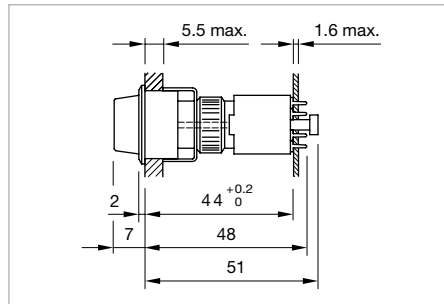
Switching action: A = Rest, B = Momentary, C = Maintain



Selector switch 3 positions square, IP 65

Equipment consisting of (schematic overview)

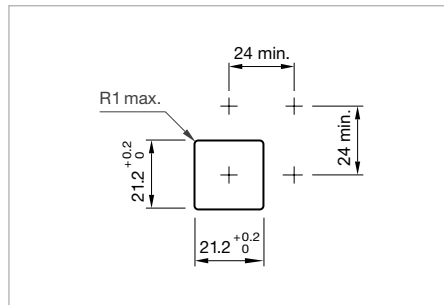
-  **Lever** page 719
-  **Single-LED** page 730
-  **Actuator**
-  **Front bezel set** page 723
-  **Fixing nut**
-  **Switching element** page 728
-  **Interlocking pin**



Dimensions [mm]



Product can differ from the current configuration.



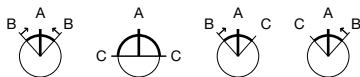
Mounting cut-outs [mm]

Additional Information


- For front dimension 24 x 24 mm
- Illuminative
- Pitch of the front plate mounting cut-outs must agree with the printed circuit board holes Ø 3.5

Each Part Number listed below includes all the black components shown in the 3D-drawing.




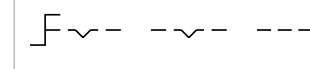
To obtain a complete unit, please select the red components from the pages shown.



Switching positions (A = Rest, B = Momentary, C = Maintained)

Switching action	Switching angle	Part No.	Wiring diagram	Weight
 Selector switch actuator 3 positions square				
B - A - B	B = 42° / 42°	71-651.0	1	0.003 kg
C - A - C	C = 90° / 90°	71-652.0	2	0.003 kg
B - A - C	B = 42°, C = 90°	71-656.0	3	0.003 kg
C - A - B	C = 90°, B = 42°	71-658.0	4	0.003 kg

Switching action: A = Rest, B = Momentary, C = Maintain

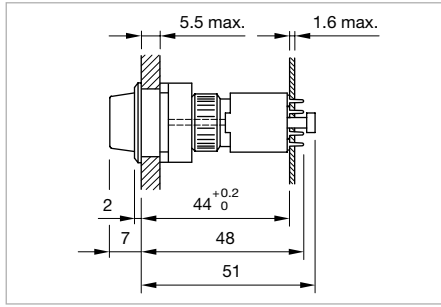
 Wiring diagram 1	 Wiring diagram 2	 Wiring diagram 3	 Wiring diagram 4
---	---	--	---

71 Flush design

Selector switch 3 positions round, IP 65



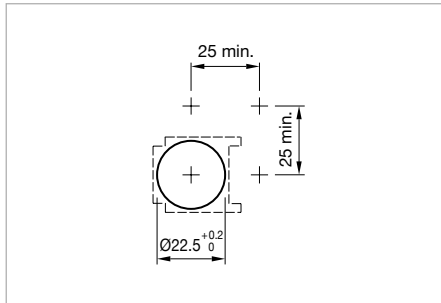
Product can differ from the current configuration.



Dimensions [mm]

Additional Information

- For front dimension \varnothing 25 mm
- Illuminative
- Pitch of the front plate mounting cut-outs must agree with the printed circuit board holes \varnothing 3.5



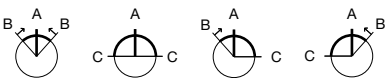
Mounting cut-outs [mm]

Equipment consisting of (schematic overview)

	Lever	page 719
	Single-LED	page 730
	Actuator	
	Front bezel set	page 723
	Anti-twist ring	
	Part of front bezel set	
	Fixing nut	
	Switching element	page 728
	Interlocking pin	

Each Part Number listed below includes all the black components shown in the 3D-drawing.

To obtain a complete unit, please select the red components from the pages shown.



Switching positions (A = Rest, B = Momentary, C = Maintained)

Switching action	Switching angle	Part No.	Wiring diagram	Weight
Selector switch 3 positions round				
B - A - B	B = 42° / 42°	71-651.0	1	0.003 kg
C - A - C	C = 90° / 90°	71-652.0	2	0.003 kg
B - A - C	B = 42°, C = 90°	71-656.0	3	0.003 kg
C - A - B	C = 90°, B = 42°	71-658.0	4	0.003 kg

Switching action: A = Rest, B = Momentary, C = Maintain



Wiring diagram 1	Wiring diagram 2	Wiring diagram 3	Wiring diagram 4

Front

Lens plastic

Additional Information

- Lens surface mat
- Lens profile flat

Product attribute	Dimension	Lens	Part No.	Weight
 <p>Lens plastic, flush design</p>				
illuminative	18 x 18 mm	smoked transparent	61-9671.1	0.002 kg
		red transparent	61-9671.2	0.002 kg
		orange transparent	61-9671.3	0.002 kg
		yellow transparent	61-9671.4	0.002 kg
		green transparent	61-9671.5	0.002 kg
		blue transparent	61-9671.6	0.002 kg
		colourless transparent	61-9671.7	0.002 kg
non-illuminative	18 x 18 mm	black opaque	61-9771.0	0.002 kg
		grey opaque	61-9771.8	0.002 kg
		white translucent	61-9771.9	0.002 kg
 <p>Lens plastic, flush design</p>				
illuminative	18 x 24 mm	smoked transparent	61-9681.1	0.002 kg
		red transparent	61-9681.2	0.002 kg
		orange transparent	61-9681.3	0.002 kg
		yellow transparent	61-9681.4	0.002 kg
		green transparent	61-9681.5	0.002 kg
		blue transparent	61-9681.6	0.002 kg
		colourless transparent	61-9681.7	0.002 kg
non-illuminative	18 x 24 mm	black opaque	61-9781.0	0.002 kg
		grey opaque	61-9781.8	0.002 kg
		white translucent	61-9781.9	0.002 kg
 <p>Lens plastic, flush design</p>				
illuminative	Ø 19.7 mm	smoked transparent	61-9642.1	0.002 kg
		red transparent	61-9642.2	0.002 kg
		orange transparent	61-9642.3	0.002 kg
		yellow transparent	61-9642.4	0.002 kg
		green transparent	61-9642.5	0.002 kg
		blue transparent	61-9642.6	0.002 kg
		colourless transparent	61-9642.7	0.002 kg

01
02
03
04
10
14
17
18
19
22
31
41
44
51
56
57
61
70
71
82
84
92
95
96
97
99
ST