



Chipsmall Limited consists of a professional team with an average of over 10 year of expertise in the distribution of electronic components. Based in Hongkong, we have already established firm and mutual-benefit business relationships with customers from,Europe,America and south Asia,supplying obsolete and hard-to-find components to meet their specific needs.

With the principle of “Quality Parts,Customers Priority,Honest Operation,and Considerate Service”,our business mainly focus on the distribution of electronic components. Line cards we deal with include Microchip,ALPS,ROHM,Xilinx,Pulse,ON,Everlight and Freescale. Main products comprise IC,Modules,Potentiometer,IC Socket,Relay,Connector.Our parts cover such applications as commercial,industrial, and automotives areas.

We are looking forward to setting up business relationship with you and hope to provide you with the best service and solution. Let us make a better world for our industry!



## Contact us

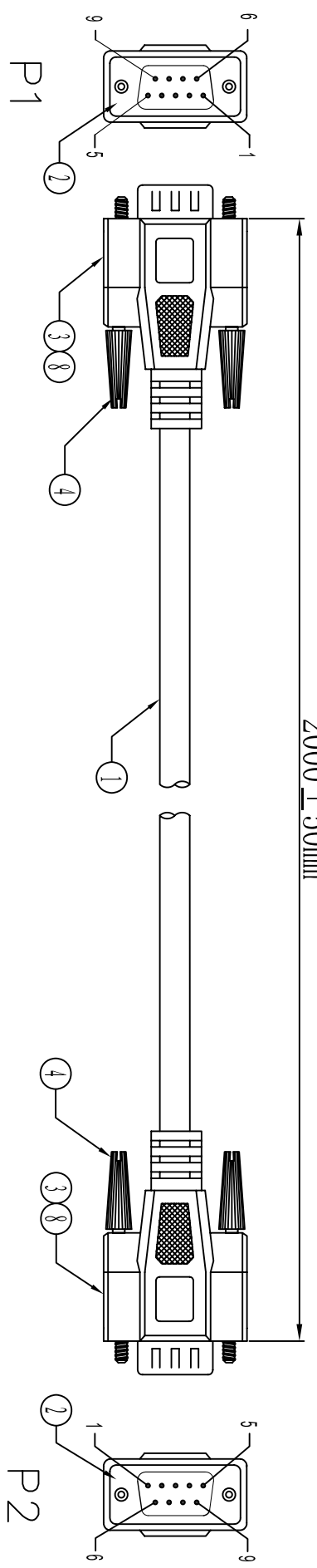
Tel: +86-755-8981 8866 Fax: +86-755-8427 6832

Email & Skype: info@chipsmall.com Web: www.chipsmall.com

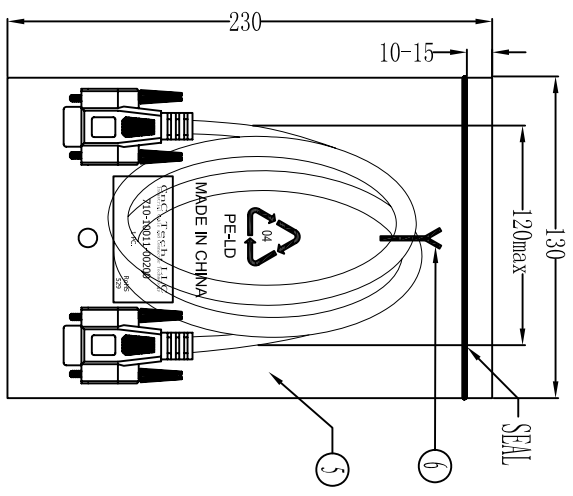
Address: A1208, Overseas Decoration Building, #122 Zhenhua RD., Futian, Shenzhen, China



UNIT : mm



Electronic Test:  
 1.100% Test,(Open,Short,Miss Wire)  
 2.Contact Resistance:2 ohm max.  
 3.Insulation Resistance:5M ohm min.  
 4.Hi-Pot:300V DC/10ms



1PCS/PE BAG

**CNC Tech, LLC**  
 Industrial Cable and Connector Technology

**PIN ASSIGNMENT**

P1	BLACK	P2	1
1	GREY	1	1
2	YELLOW	2	2
3	PURPLE	3	3
4	ORANGE	4	4
5	RED	5	5
6	BROWN	6	6
7	GREEN	7	7
8	BLUE	8	8
9	D.W	9	9
SHELL		SHELL	

⑧	TUBE	2	HEAT SHRINK TUBE BLACK OD1.5*LT15MM
⑦	PE BAG	1/10	CLEAR SIZE:280*330*0.05mm PRINT BLACK*MADE IN CHINA*+*10PCS* 及印生产周期,有透汽孔.
⑥	TIE	1	WHITE L=100mm
⑤	PE BAG	1	CLEAR SIZE:130*230*0.05mm PRINT BLACK*MADE IN CHINA*及印生产周期,有透汽孔.
④	SCREW	4	SCREW:#4-40UNC L47mm,NICKEL PLATED,INSULATION COLOR BEIGE(V-29)
③	OUT JACKET	43.5g	BEIGE(V-29) 40P PVC(MOULD NO:WM-113)
②	CONN	8g	CLEAR LDPE(MOULD NO:NM-049)
①	CABLE	1	DB 9PIN MALE PIN G/F SHELL-NICKEL SOLDER TYPE INSULATION COLOR BLUE NOUL 30AWG(7/0.10)*9C+D.W+A/L/M*+JACKET COROL:BEIGE(V-29) OD:5.0mm. L2000±10mm.

DRAWN BY		ZHONGHS	DARWING NO.	
CHECKED BY			CUSTOMER	
APPROVAL BY			ITEM NO.	
DECIDE BY			DATE	
VERSIONS/EDITION		A/0	PROJECTION	
			2012-02-06	

4 3 2 1 2 1 4 3 2 1