



Chipsmall Limited consists of a professional team with an average of over 10 year of expertise in the distribution of electronic components. Based in Hongkong, we have already established firm and mutual-benefit business relationships with customers from,Europe,America and south Asia,supplying obsolete and hard-to-find components to meet their specific needs.

With the principle of “Quality Parts,Customers Priority,Honest Operation,and Considerate Service”,our business mainly focus on the distribution of electronic components. Line cards we deal with include Microchip,ALPS,ROHM,Xilinx,Pulse,ON,Everlight and Freescale. Main products comprise IC,Modules,Potentiometer,IC Socket,Relay,Connector.Our parts cover such applications as commercial,industrial, and automotives areas.

We are looking forward to setting up business relationship with you and hope to provide you with the best service and solution. Let us make a better world for our industry!



## Contact us

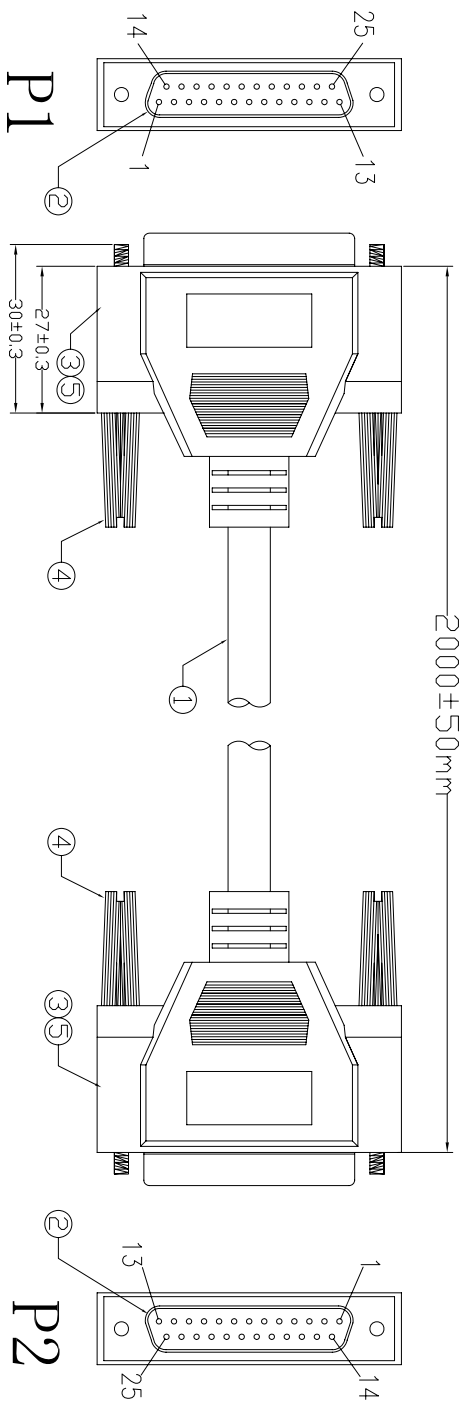
Tel: +86-755-8981 8866 Fax: +86-755-8427 6832

Email & Skype: info@chipsmall.com Web: www.chipsmall.com

Address: A1208, Overseas Decoration Building, #122 Zhenhua RD., Futian, Shenzhen, China

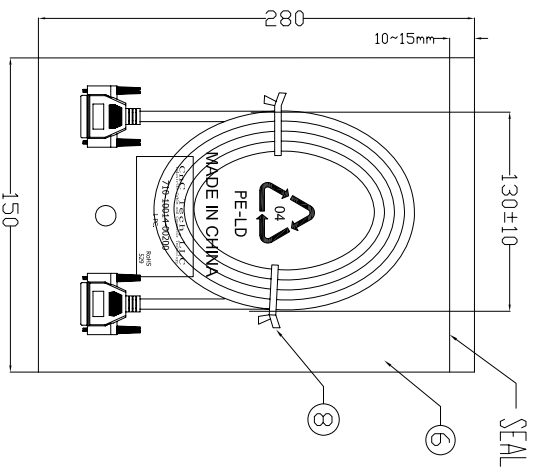


Units: mm



**Electrical test:**  
 1. 100% short open, miswire test  
 2. Conduct resistance: 5 Ohm(max)  
 3. Insulation resistance: 5Mohm(min)  
 4. dielectric test: DC 300V

PIN ASSIGNMENT	
P1 1	黑
P1 2	棕
P1 3	红
P1 4	橙
P1 5	黄
P1 6	绿
P1 7	蓝
P1 8	紫
P1 9	灰
P1 10	白
P1 11	粉红
P1 12	浅绿
P1 13	红/黑
P1 14	橙/黑
P1 15	黄/黑
P1 16	绿/黑
P1 17	蓝/黑
P1 18	紫/黑
P1 19	白/黑
P1 20	红/白
P1 21	橙/白
P1 22	绿/白
P1 23	蓝/白
P1 24	紫/白
P1 25	棕/白
P1 SHELL	地线
P2 1	黑
P2 2	棕
P2 3	红
P2 4	橙
P2 5	黄
P2 6	绿
P2 7	蓝
P2 8	紫
P2 9	灰
P2 10	白
P2 11	粉红
P2 12	浅绿
P2 13	红/黑
P2 14	橙/黑
P2 15	黄/黑
P2 16	绿/黑
P2 17	蓝/黑
P2 18	紫/黑
P2 19	白/黑
P2 20	红/白
P2 21	橙/白
P2 22	绿/白
P2 23	蓝/白
P2 24	紫/白
P2 25	棕/白
P2 SHELL	地线



⑧	TIE	2	WHITE L=80mm
⑦	PE BAG	1/10	CLEAR SIZE: 360*380*0.05mm PRINT BLACK MADE IN CHINA "110PCS" 及印生产周期, 有透气孔.
⑥	PE BAG	1	CLEAR SIZE: 150*280*0.05mm PRINT BLACK MADE IN CHINA "及印生产周期, 有透气孔.
⑤	TUBE	2	HEAT SHRINK TUBE BLACK OD1.5*20MM
④	SCREW	4	#4-40UNC TYPE L=30mm, NICKEL PLATED, MOLD: BEIGE(V-29) ABS
③	IN JACKET	18g	CLEAR LD-PE (Mould NO: NM-33)
②	CONN	60g	BEIGE(V-29) 40P PVC(Mould NO: WM-071)
①	CABLE	2	DB 25P FEMALE SODER TYPE PIN G/F SHELL NI-PLATED INSULATOR COLOR: BLUE
NO.	NAME	Q'TY	NOUL 30#(7/0.10)*25C+D+AL/WY OD: 6.5mm JACKET BEIGE(V-29) L=2000±10MM

**CNC Tech, LLC**  
 Industrial Cable and Connector Technology

DRAWN BY	ZHONGHS	DRAWING NO.	
CHECKED BY		CUSTOMER	
APPROVAL BY		ITEM NO.	710-10014-00200
DECIDE BY		DATE	2012-02-06
VERSIONS/EDITION	A/0	PROJECTION	