



Chipsmall Limited consists of a professional team with an average of over 10 year of expertise in the distribution of electronic components. Based in Hongkong, we have already established firm and mutual-benefit business relationships with customers from,Europe,America and south Asia,supplying obsolete and hard-to-find components to meet their specific needs.

With the principle of “Quality Parts,Customers Priority,Honest Operation,and Considerate Service”,our business mainly focus on the distribution of electronic components. Line cards we deal with include Microchip,ALPS,ROHM,Xilinx,Pulse,ON,Everlight and Freescale. Main products comprise IC,Modules,Potentiometer,IC Socket,Relay,Connector.Our parts cover such applications as commercial,industrial, and automotives areas.

We are looking forward to setting up business relationship with you and hope to provide you with the best service and solution. Let us make a better world for our industry!



## Contact us

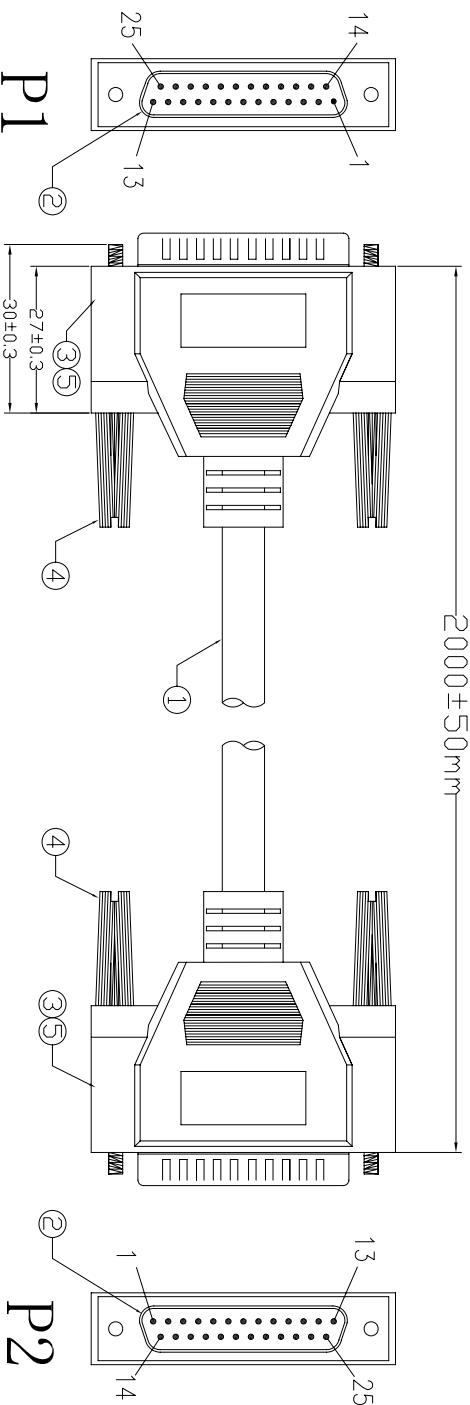
Tel: +86-755-8981 8866 Fax: +86-755-8427 6832

Email & Skype: info@chipsmall.com Web: www.chipsmall.com

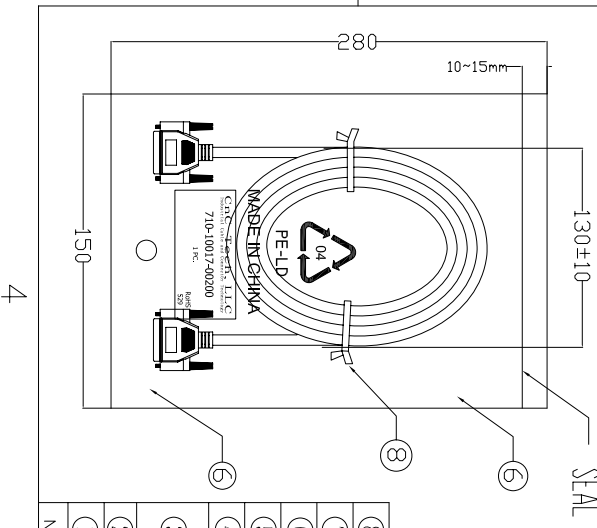
Address: A1208, Overseas Decoration Building, #122 Zhenhua RD., Futian, Shenzhen, China



Units:mm



Electronic Test:  
 1.100% Test,(Open,Short,Miss Wire)  
 2.Contact Resistance:5 ohm max.  
 3.Insulation Resistance:10M ohm min.  
 4.Hi-Pot:300V DC/10ms



| NO. | NAME      | Q'TY | SPECIFICATION  |
|-----|-----------|------|--|
| ⑧   | TIE       | 2    | WHITE L=80mm   |
| ⑦   | PE BAG    | 1/10 | CLEAR SIZE: 360*380*0.05mm PRINT BLACK"MADE IN CHINA"+"10KCS"及印生产周期·有透气孔 |
| ⑥   | PE BAG    | 1    | CLEAR SIZE: 150*280*0.05mm PRINT BLACK"MADE IN CHINA"+"PC"及印生产周期·有透气孔    |
| ⑤   | TUBE      | 2    | HEAT SHRINK TUBE BLACK OD1.5*20MM  |
| ④   | SCREW     | 4    | #4-40UNC TYPE L=30mm,NICKEL PLATED,MOLD:BEIGE(V-29) ABS                  |
| ③   | IN JACKET | 18g  | CLEAR LD-PE (Mould NO:NM-33)   |
| ②   | CONN      | 60g  | BEIGE(V-29) 40P PVC(Mould NO:WM-071)                                     |
| ①   | CABLE     | 2    | DB 25P MALE SODER TYPE PE PIN G/F SHELL NI-PLATED INSULATOR COLOR:BLUE   |
| ①   | CABLE     | 1    | NOUL 28AWG*25C+D+AL/NY OD6.5mm JACKET BEIGE(V-29) L=2000±10MM            |

| PIN ASSIGNMENT |       |
|----------------|-------|
| P1             | P2    |
| 1              | 1     |
| 2              | 2     |
| 3              | 3     |
| 4              | 4     |
| 5              | 5     |
| 6              | 6     |
| 7              | 7     |
| 8              | 8     |
| 9              | 9     |
| 10             | 10    |
| 11             | 11    |
| 12             | 12    |
| 13             | 13    |
| 14             | 14    |
| 15             | 15    |
| 16             | 16    |
| 17             | 17    |
| 18             | 18    |
| 19             | 19    |
| 20             | 20    |
| 21             | 21    |
| 22             | 22    |
| 23             | 23    |
| 24             | 24    |
| 25             | 25    |
| SHELL          | SHELL |

**CNC Tech, LLC**  
 Industrial Cable and Connector Technology

|                  |         |             |                 |
|------------------|---------|-------------|-----------------|
| DRAWN BY         | ZHONGHS | DRAWING NO. |                 |
| CHECKED BY       |         | CUSTOMER    |                 |
| APPROVAL BY      |         | ITEM NO.    | 710-10017-00200 |
| DECIDE BY        |         | DATE        | 2012-02-06      |
| VERSIONS/EDITION | A/0     | PROJECTION  |                 |