



Chipsmall Limited consists of a professional team with an average of over 10 year of expertise in the distribution of electronic components. Based in Hongkong, we have already established firm and mutual-benefit business relationships with customers from,Europe,America and south Asia,supplying obsolete and hard-to-find components to meet their specific needs.

With the principle of "Quality Parts,Customers Priority,Honest Operation,and Considerate Service",our business mainly focus on the distribution of electronic components. Line cards we deal with include Microchip,ALPS,ROHM,Xilinx,Pulse,ON,Everlight and Freescale. Main products comprise IC,Modules,Potentiometer,IC Socket,Relay,Connector.Our parts cover such applications as commercial,industrial, and automotives areas.

We are looking forward to setting up business relationship with you and hope to provide you with the best service and solution. Let us make a better world for our industry!



Contact us

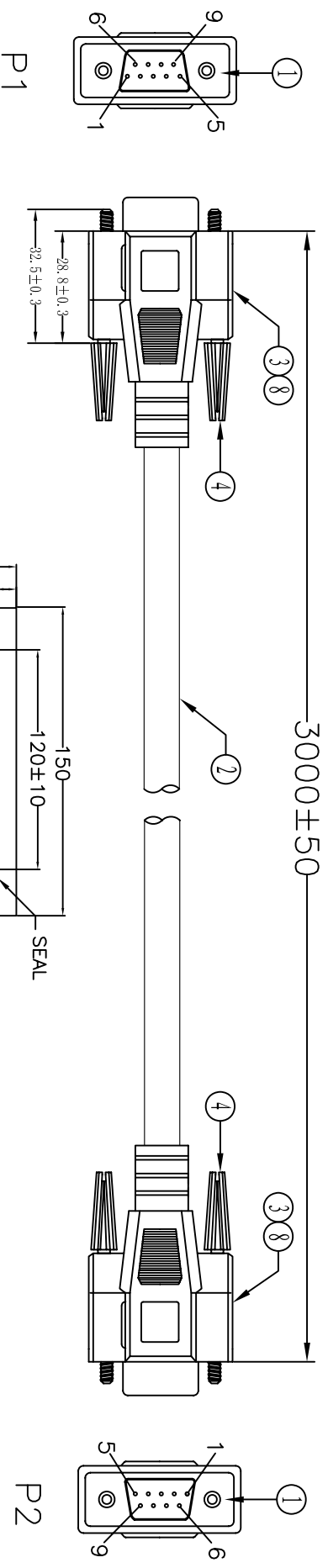
Tel: +86-755-8981 8866 Fax: +86-755-8427 6832

Email & Skype: info@chipsmall.com Web: www.chipsmall.com

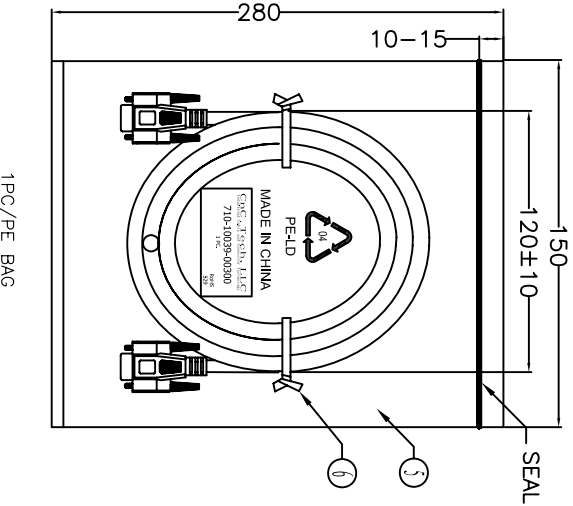
Address: A1208, Overseas Decoration Building, #122 Zhenhua RD., Futian, Shenzhen, China



UNIT:MM



Electronic Test:
 1. 100% Test,(Open,Short, Miss Wire)
 2. Contact Resistance:2 ohm max.
 3. Insulation Resistance:5M ohm min.
 4. Hi-Pot:300V DC.



PIN ASSIGNMENT	
P1	P2
1 BLACK	1
2 GREY	2
3 YELLOW	3
4 PURPLE	4
5 ORANGE	5
6 RED	6
7 BROWN	7
8 GREEN	8
9 BLUE	9
SHELL DRAIN	9
SHELL	SHELL

⑧	TUBE	2	HEAT SHRINK TUBE BLACK ODD.6*L15MM
⑦	PE BAG	1/10	CLEAR SIZE:360*380*0.05mm PRINT BLACK*MADE IN CHINA*+10PCS*印生产日期,有透气孔.
⑥	TIE	2	WHITE L=100mm
⑤	PE BAG	1	CLEAR SIZE:150*280*0.05mm PRINT BLACK*MADE IN CHINA*+1PC*印生产日期,有透气孔.
④	SCREW	4	SCREW:#4-40UNC D-E L32.5mm,NICKEL PLATED,INSULATION COLOR BEIGE(V-29).
③	IN JACKET	8g	CLEAR LDPE(MOULD NO:NM-049)
②	OUT JACKET	43.5g	BEIGE(V-29#) 40P PVC(MOULD NO:WM-113)
①	CABLE	1	NOUL 30AWG*9C+D+AL OD5.0mm COLOR BEIGE(V-29#) L=3000±15mm
①	CONN	2	DB 9P FEMALE SOLDER TYPE G/F, BLUE INSULATION

Cnc Tech, LLC
 Industrial Cable and Connector Technology

DRAWN BY	ZHONGHS	DRAWING NO.	
CHECKED BY		CUSTOMER	
APPROVAL BY		ITEM NO.	710-10039-00300
DATE		DATE	2012-02-06
VERSIONS/EDITION	A/0	PROJECT	

4 3 2 1