



Chipsmall Limited consists of a professional team with an average of over 10 year of expertise in the distribution of electronic components. Based in Hongkong, we have already established firm and mutual-benefit business relationships with customers from,Europe,America and south Asia,supplying obsolete and hard-to-find components to meet their specific needs.

With the principle of “Quality Parts,Customers Priority,Honest Operation,and Considerate Service”,our business mainly focus on the distribution of electronic components. Line cards we deal with include Microchip,ALPS,ROHM,Xilinx,Pulse,ON,Everlight and Freescale. Main products comprise IC,Modules,Potentiometer,IC Socket,Relay,Connector.Our parts cover such applications as commercial,industrial, and automotives areas.

We are looking forward to setting up business relationship with you and hope to provide you with the best service and solution. Let us make a better world for our industry!



Contact us

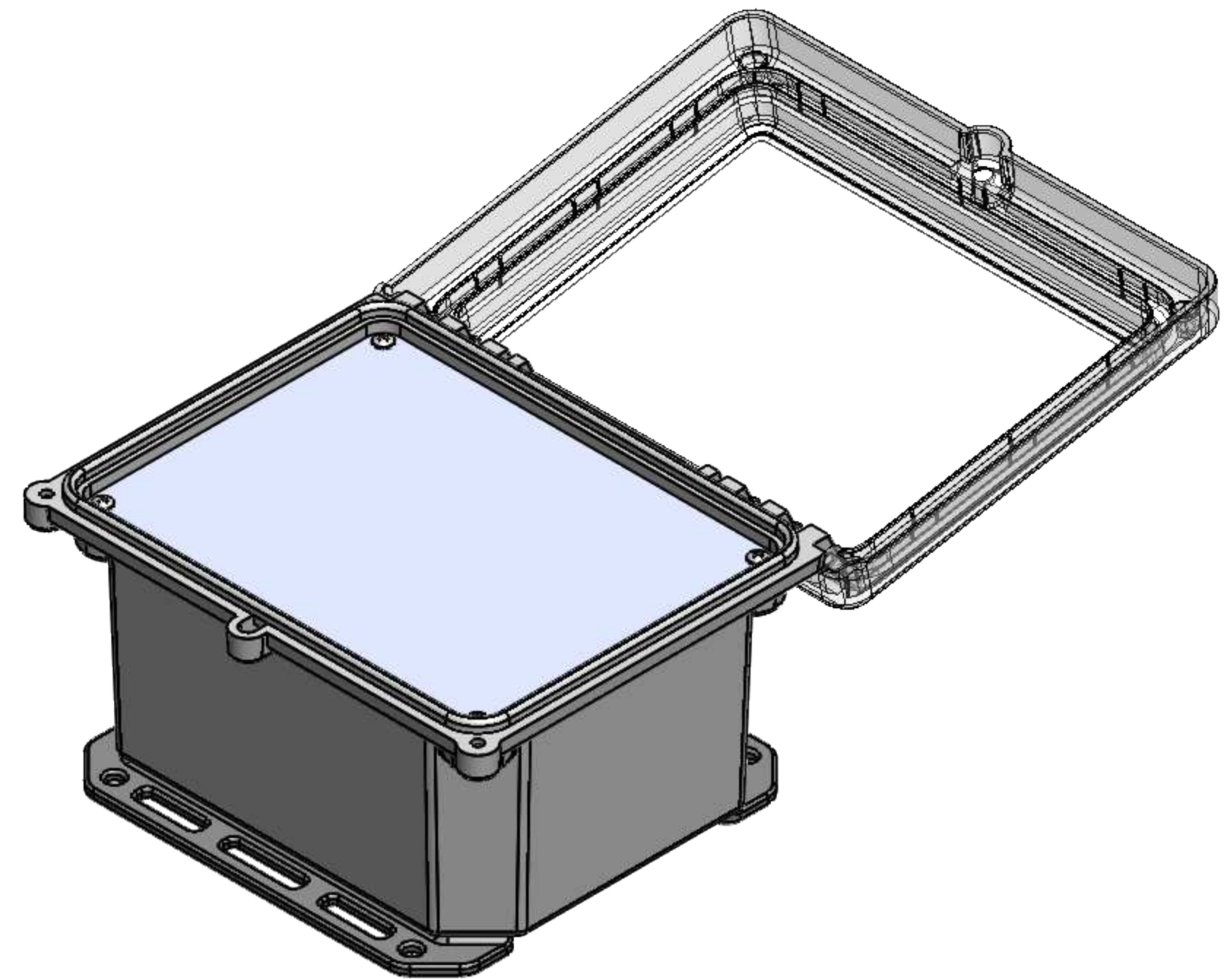
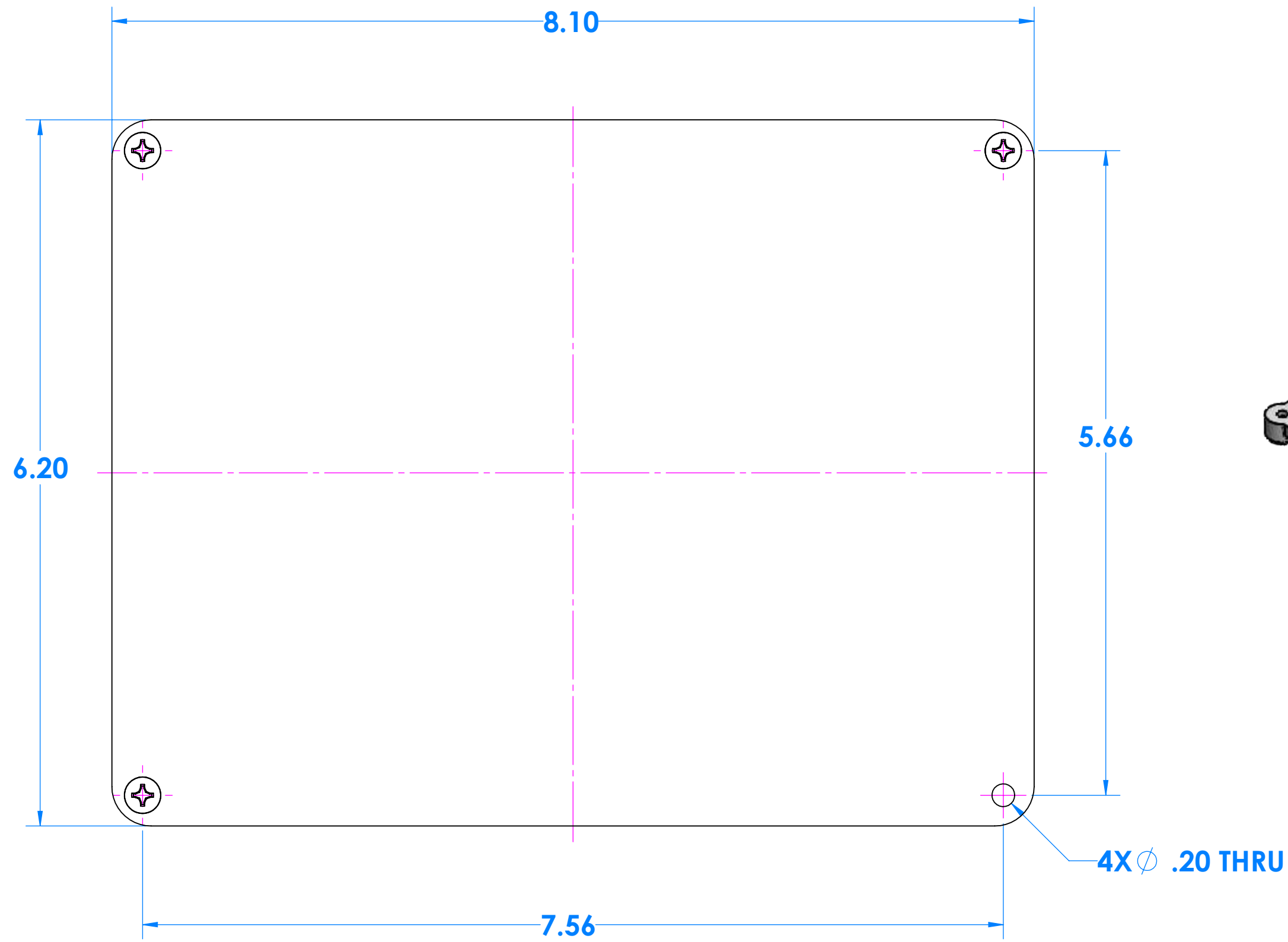
Tel: +86-755-8981 8866 Fax: +86-755-8427 6832

Email & Skype: info@chipsmall.com Web: www.chipsmall.com

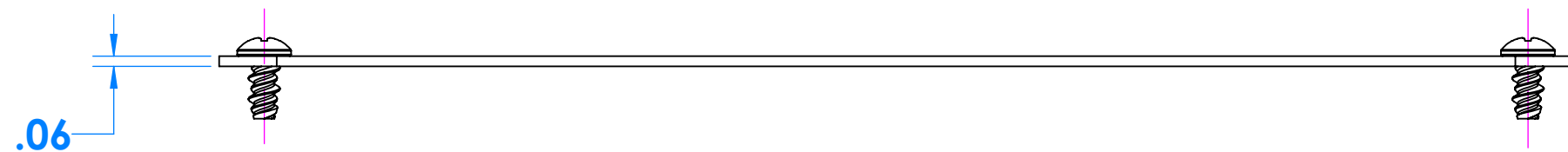
Address: A1208, Overseas Decoration Building, #122 Zhenhua RD., Futian, Shenzhen, China



7100T Top Panel Kit for I152HL and I152HS

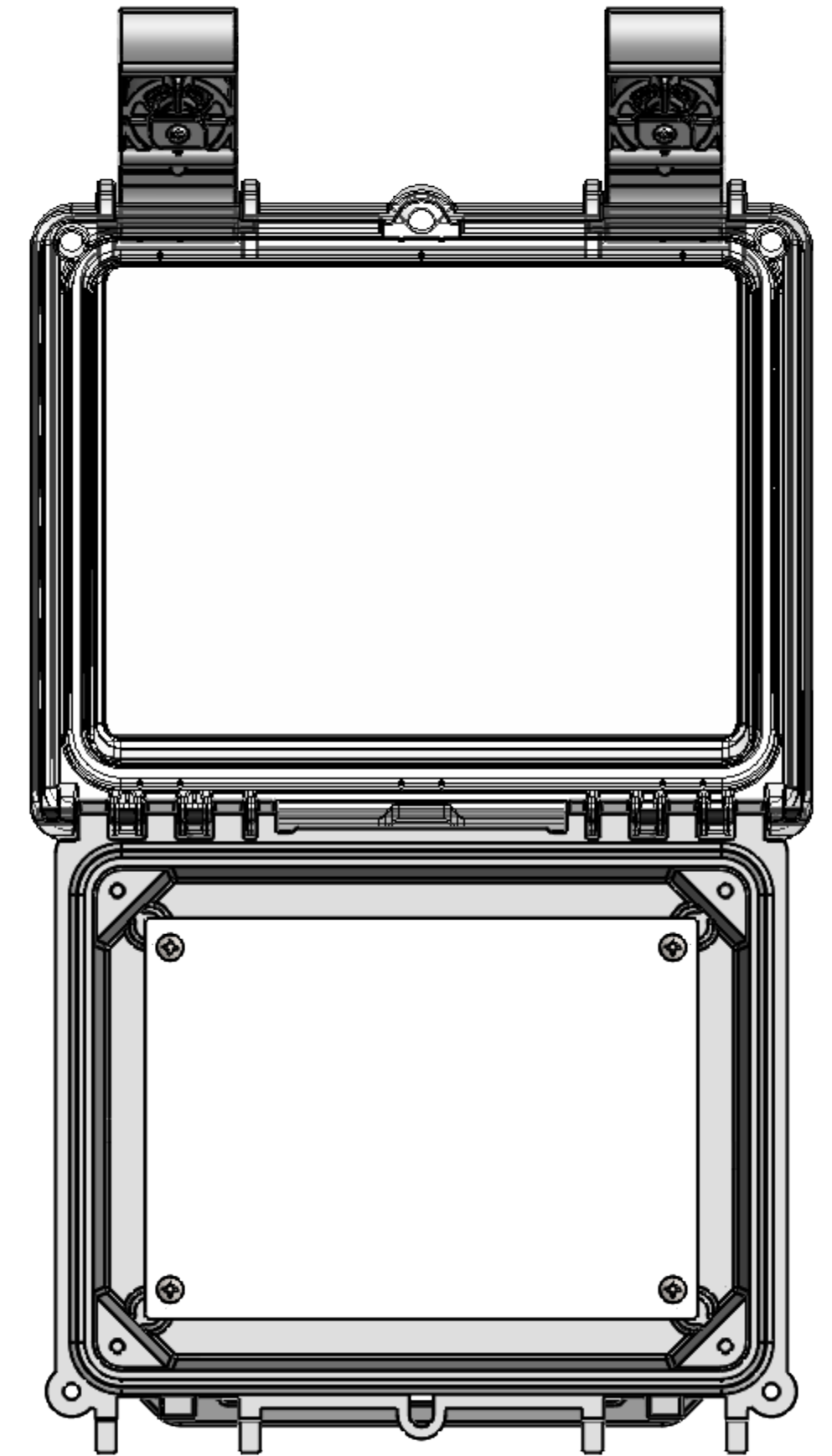
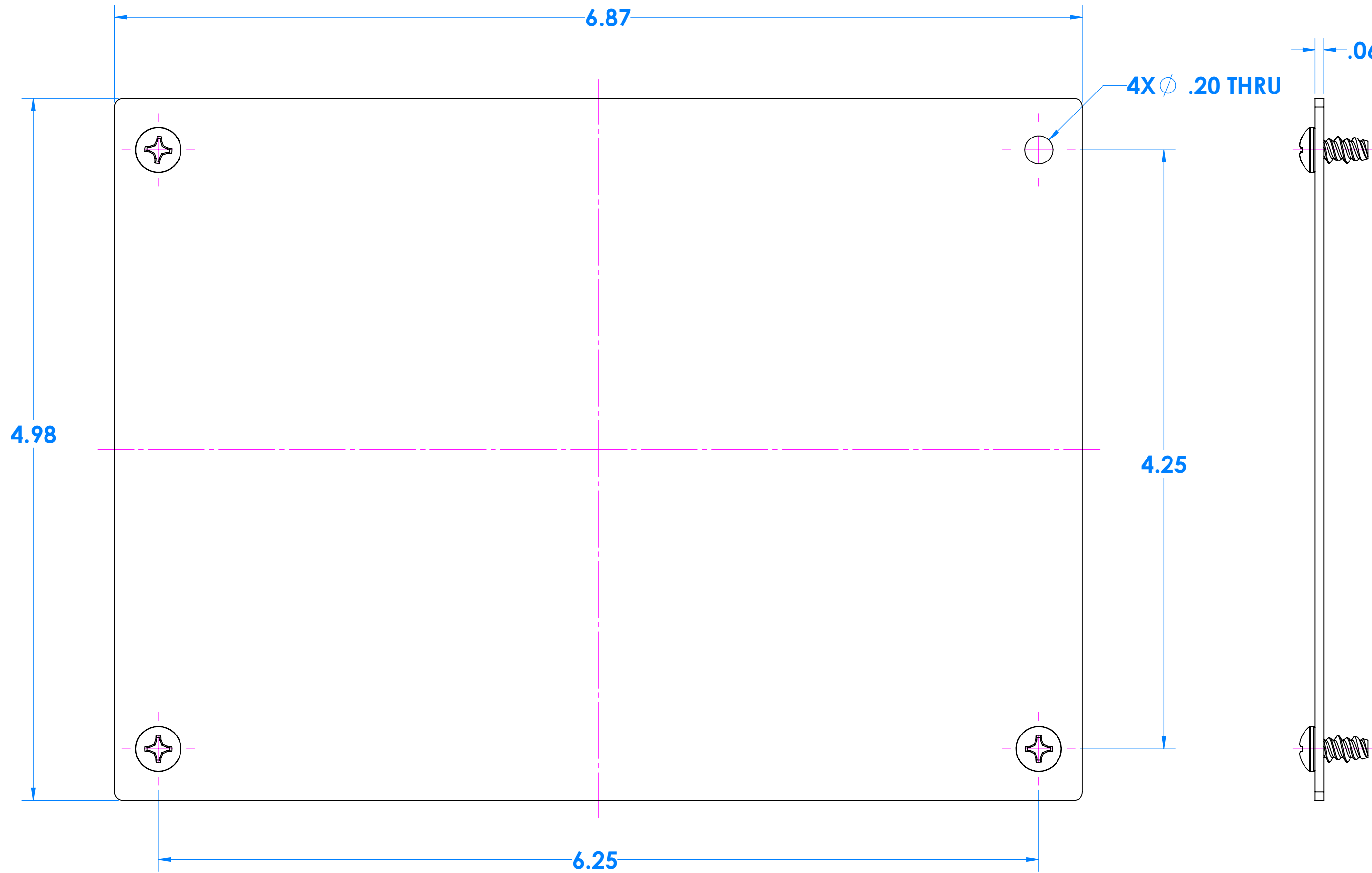


OPTIONAL ACCESSORY



| PARTS INCLUDED | | |
|----------------|------|----------------------------|
| P/N | Qty. | Description |
| 71040 | 1 | Top Aluminum Panel |
| 6029 | 4 | SS #10 X 3/8" Pan HL Screw |

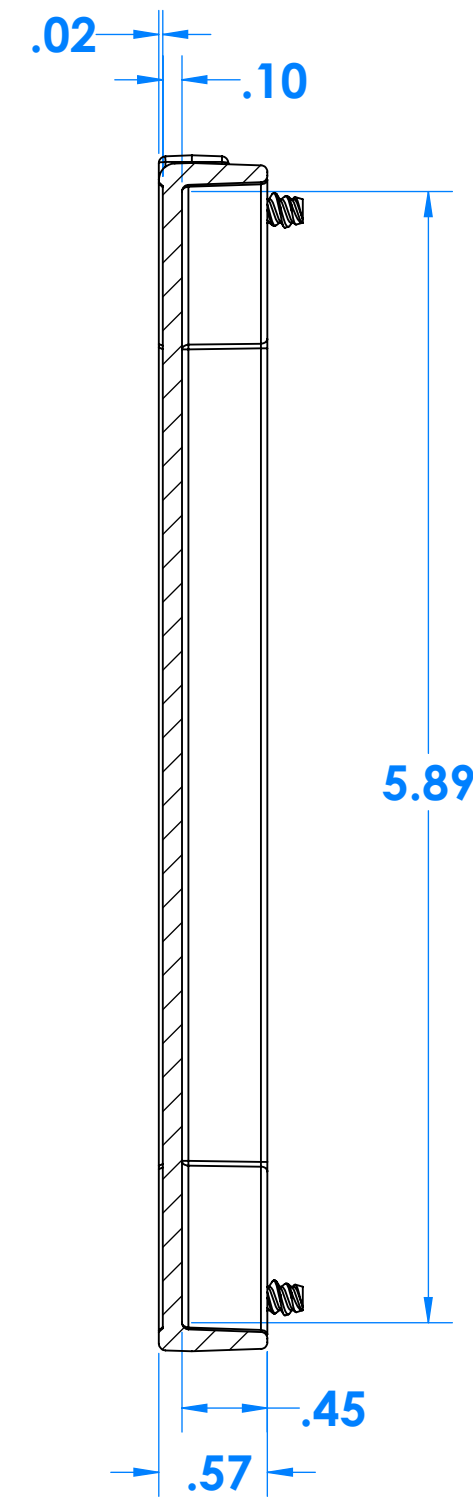
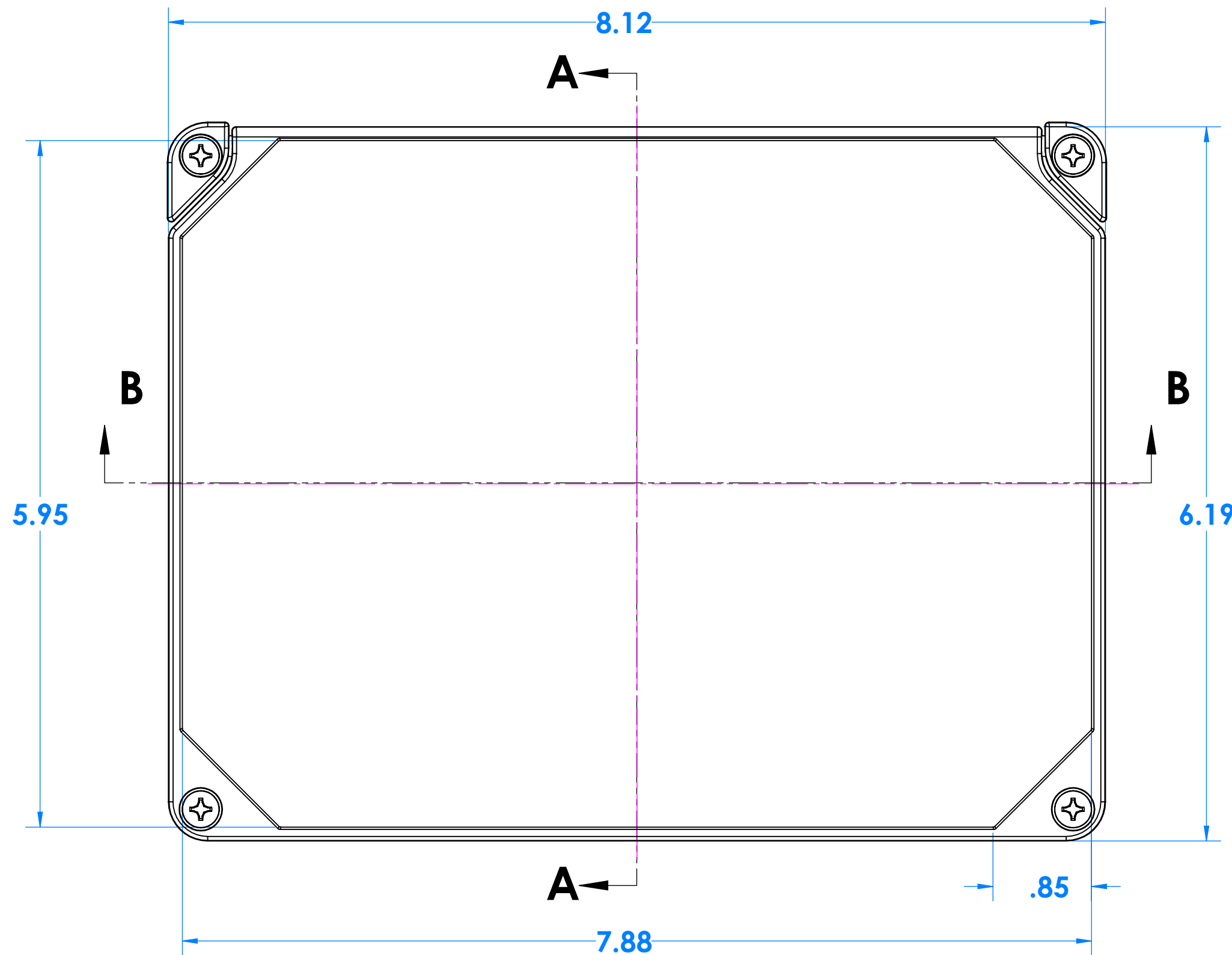
7100B Bottom Panel Kit for I152HL and I152HS



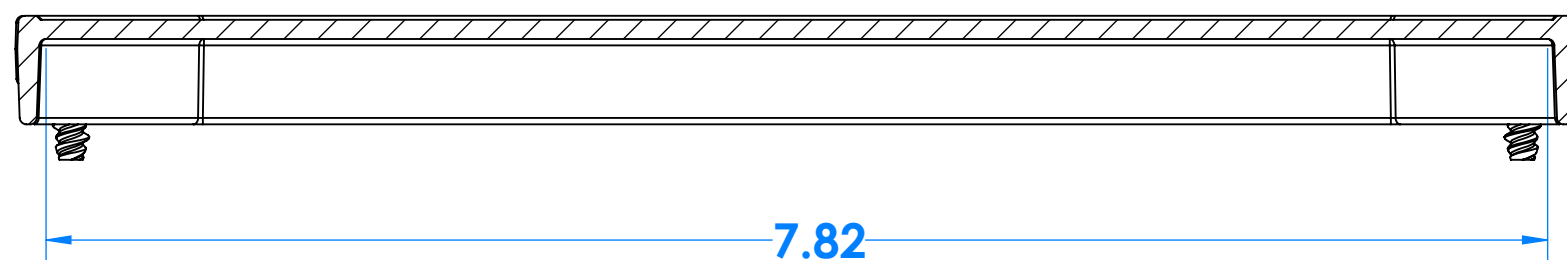
OPTIONAL ACCESSORY

| PARTS INCLUDED | | |
|----------------|------|----------------------------|
| P/N | Qty. | Description |
| 71000 | 1 | Bottom Aluminum Panel |
| 6029 | 4 | SS #10 X 3/8" Pan HL Screw |

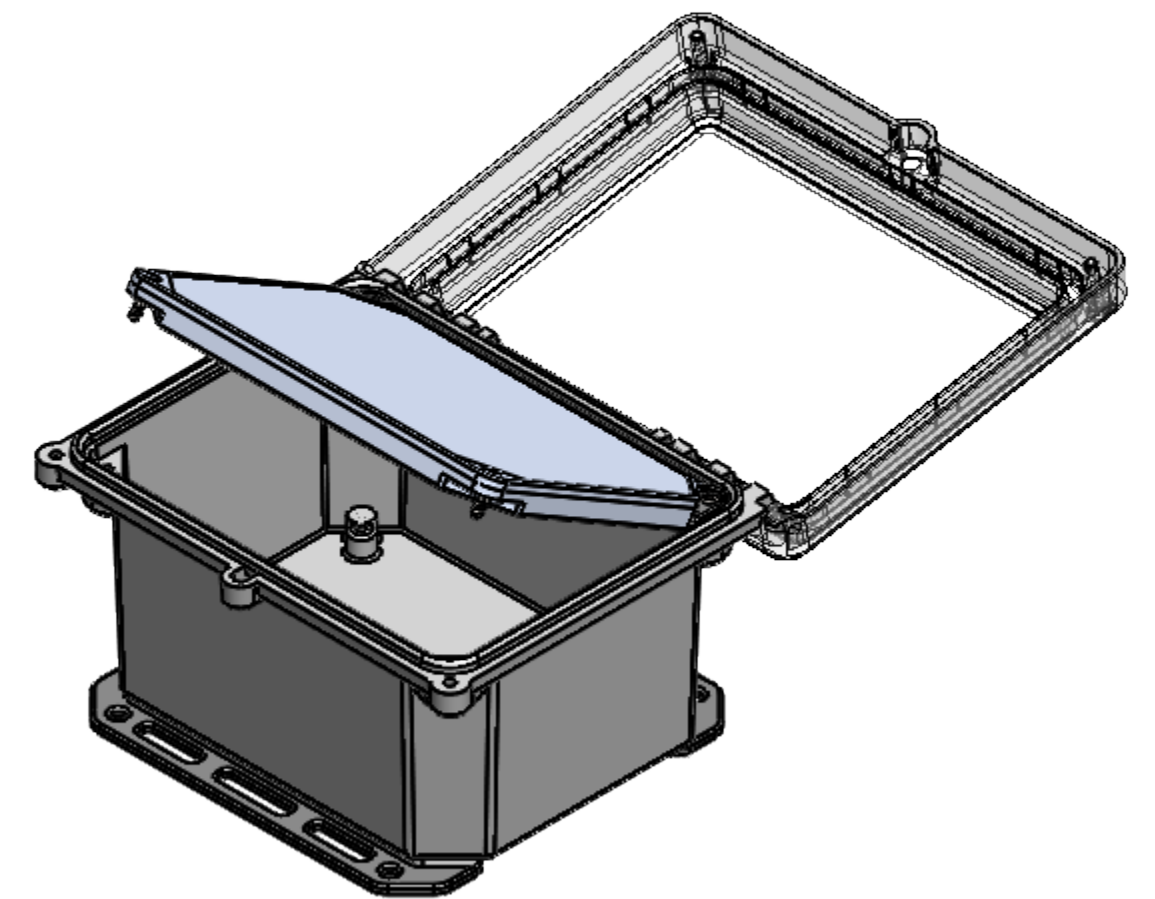
7100HP Plastic Hinged Top Panel Kit for I152HL and I152HS



SECTION **A-A**
SCALE 1 : 1



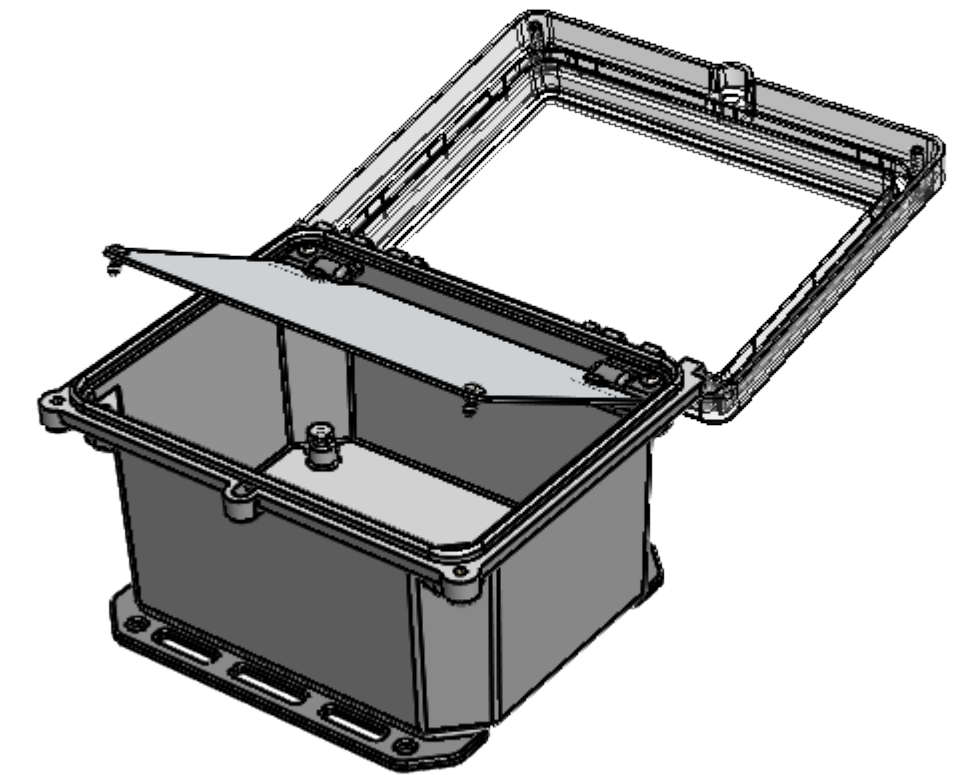
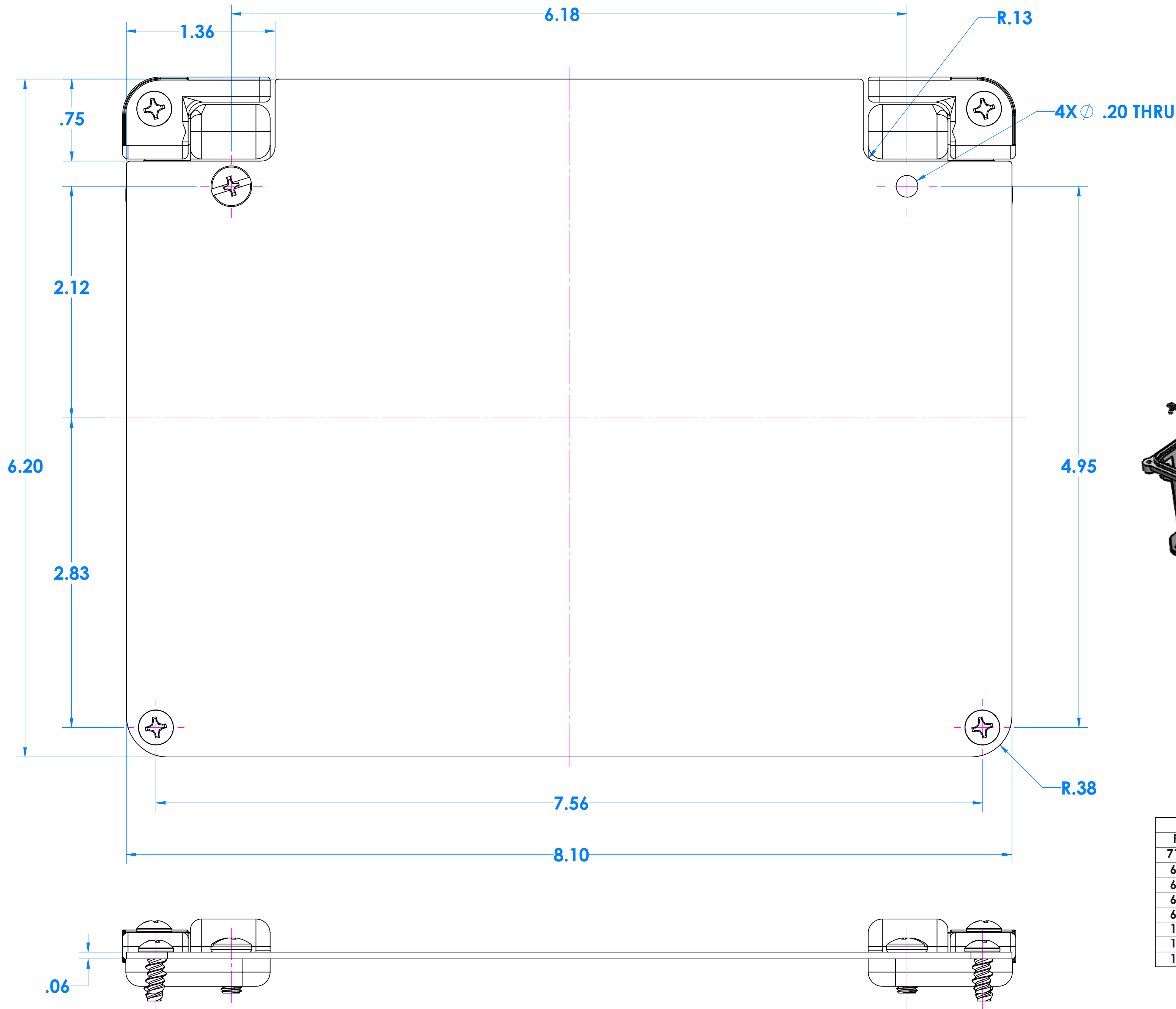
SECTION **B-B**
SCALE 1 : 1



OPTIONAL ACCESSORY

| Parts Included | | |
|----------------|------|-----------------------------------|
| P/N | Qty. | Description |
| 71021 | 1 | Hinged Top Plastic Panel |
| 1310 | 1 | Hinge - Left |
| 1311 | 1 | Hinge - Right |
| 6028 | 4 | SS #10 X 5/8" Pan Combo H/L Screw |

7100TH Aluminum Hinged Top Panel Kit for I152HL and I152HS



OPTIONAL ACCESSORY

| PARTS INCLUDED | | |
|----------------|------|--|
| P/N | Qty. | Description |
| 71020 | 1 | Hinged Top Aluminum Panel |
| 6029 | 2 | SS #10 X 3/8" Pan HL Screw |
| 6030 | 2 | SS #10 X 3/8" Pan Combo Screw HL Screw |
| 6105 | 2 | SS #10-32 X1/8" Nut |
| 6028 | 2 | SS #10 X 5/8" Pan Combo HL Screw |
| 1307 | 2 | Hinge Pin |
| 1308 | 1 | Panel Hinge A |
| 1309 | 1 | Panel Hinge B |