



Chipsmall Limited consists of a professional team with an average of over 10 year of expertise in the distribution of electronic components. Based in Hongkong, we have already established firm and mutual-benefit business relationships with customers from,Europe,America and south Asia,supplying obsolete and hard-to-find components to meet their specific needs.

With the principle of “Quality Parts,Customers Priority,Honest Operation,and Considerate Service”,our business mainly focus on the distribution of electronic components. Line cards we deal with include Microchip,ALPS,ROHM,Xilinx,Pulse,ON,Everlight and Freescale. Main products comprise IC,Modules,Potentiometer,IC Socket,Relay,Connector.Our parts cover such applications as commercial,industrial, and automotives areas.

We are looking forward to setting up business relationship with you and hope to provide you with the best service and solution. Let us make a better world for our industry!



Contact us

Tel: +86-755-8981 8866 Fax: +86-755-8427 6832

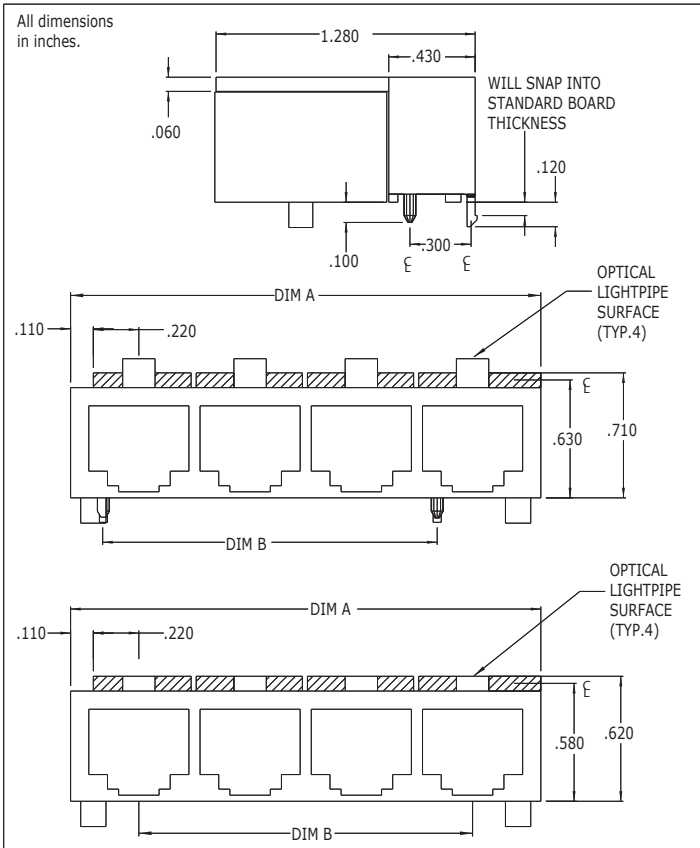
Email & Skype: info@chipsmall.com Web: www.chipsmall.com

Address: A1208, Overseas Decoration Building, #122 Zhenhua RD., Futian, Shenzhen, China



7101P/R Series Bright Pipes™ Optical Lightpipes FOR RJ-STYLE JACKS

Description and Features



- Precision engineered with **ray tracing** for bright, optically precise even indication and attractive appearance.
- ESD protection from circuitry for exceptional reliability.
- High contrast and wide viewing angle for greater visibility.
- Parts inserted after reflow to permit LED pad inspection before assembly.
- Optimized for use with Bright★Chips™ CMD67-21 Series.
- 7101P features large square lens (.16" x .16") for high visibility.
- 7101R features low profile (.16" x .07"h) rectangular lens ideal for height-constrained applications.
- One lightpipe per port.

Model	Mounting	Ports	DIM A	DIM B
7101P1/7101R1	M or T	1	.550	-
7101P2/7101R2	M or T	2	1.10	.550
7101P3/7101R3	M or T	3	1.65	1.10
7101P4/7101R4	M or T	4	2.20	1.65
7101P5/7101R5	M or T	5	2.75	2.20
7101P6/7101R6	M or T	6	3.30	2.75
7101P7/7101R7	M or T	7	3.85	3.30
7101P8/7101R8	M or T	8	4.40	3.85

*M=locking press-in pin for .062" boards;
T=double sided adhesive (supplied separately)
Example: To order Series 7101P Bright Pipes with 6 ports and press-in mounting, you would order 7101P6-M.

Refer to "Mounting Hole Pattern 3.pdf"

Ports	Dim A	Dim B	Dim C	Dim D	Dim E	Dim F	Dim G
1	.550	N/A	N/A	.175	N/A	N/A	N/A
2	1.10	1.00	.550	.175	.550	N/A	N/A
3	1.65	1.55	1.10	.175	1.10	N/A	N/A
4	2.20	2.10	1.65	.175	1.65	N/A	N/A
5	2.75	2.65	2.20	.175	1.65	N/A	N/A
6	3.30	3.20	2.75	N/A	N/A	.925	1.65
7	3.85	3.75	3.30	N/A	N/A	.925	1.65
8	4.40	4.30	3.85	N/A	N/A	.925	1.65