



Chipsmall Limited consists of a professional team with an average of over 10 year of expertise in the distribution of electronic components. Based in Hongkong, we have already established firm and mutual-benefit business relationships with customers from,Europe,America and south Asia,supplying obsolete and hard-to-find components to meet their specific needs.

With the principle of “Quality Parts,Customers Priority,Honest Operation,and Considerate Service”,our business mainly focus on the distribution of electronic components. Line cards we deal with include Microchip,ALPS,ROHM,Xilinx,Pulse,ON,Everlight and Freescale. Main products comprise IC,Modules,Potentiometer,IC Socket,Relay,Connector.Our parts cover such applications as commercial,industrial, and automotives areas.

We are looking forward to setting up business relationship with you and hope to provide you with the best service and solution. Let us make a better world for our industry!



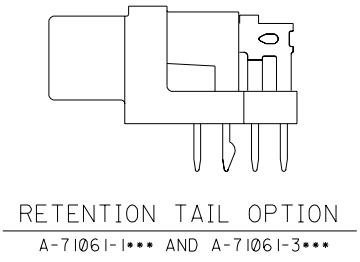
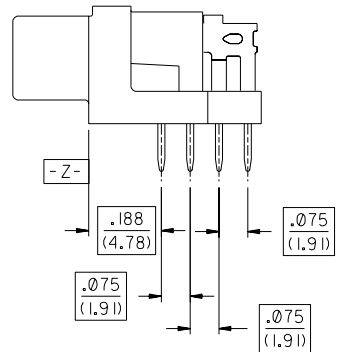
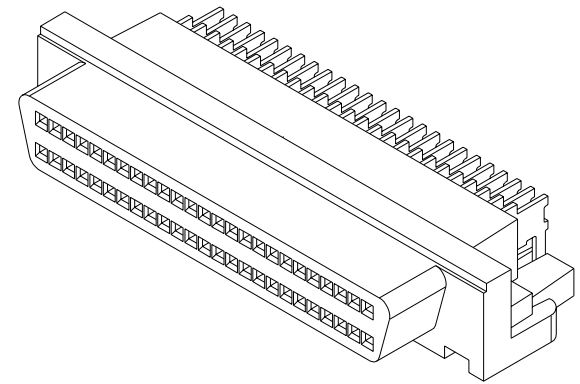
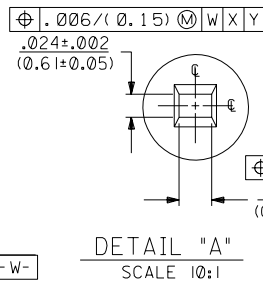
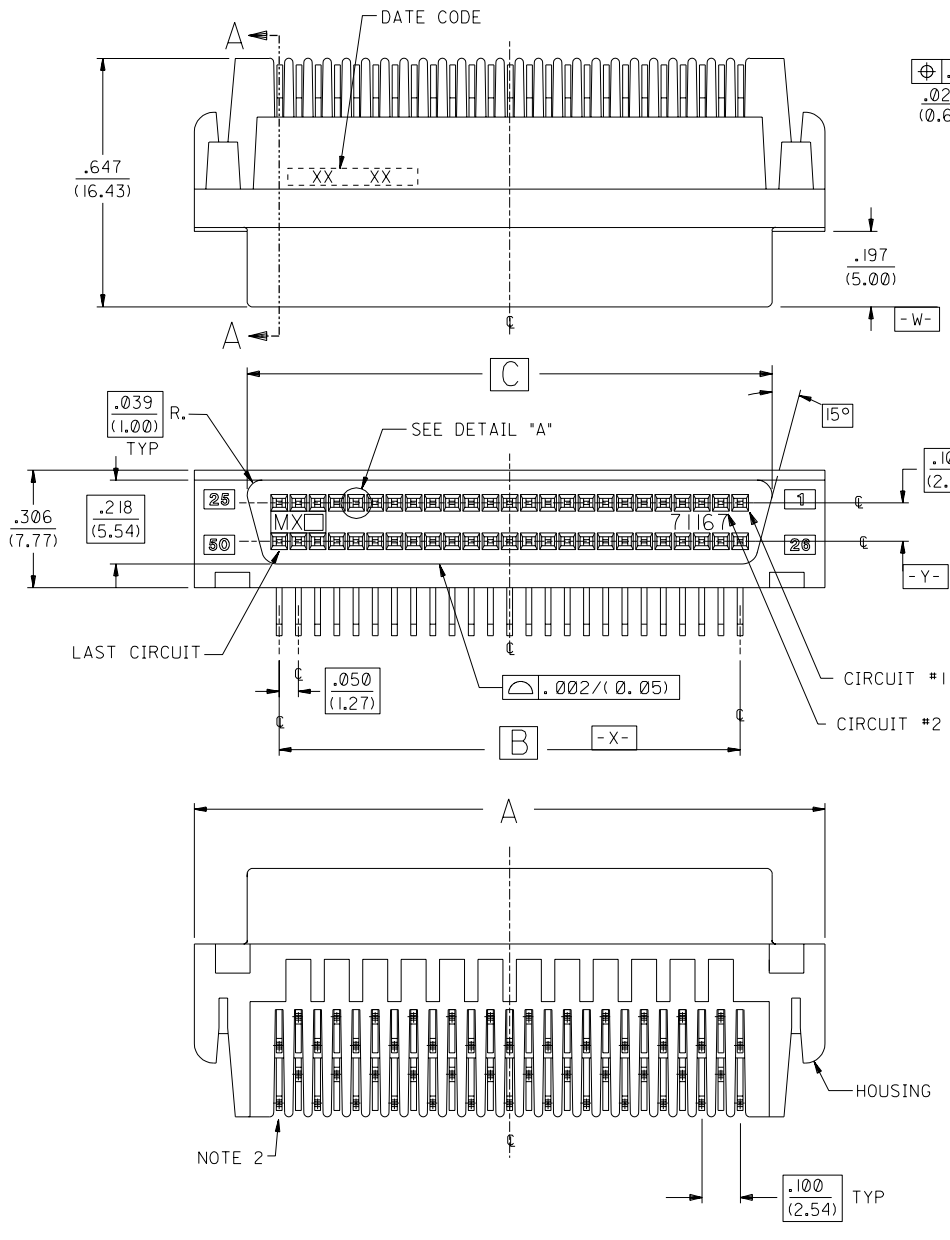
## Contact us

Tel: +86-755-8981 8866 Fax: +86-755-8427 6832

Email & Skype: info@chipsmall.com Web: www.chipsmall.com

Address: A1208, Overseas Decoration Building, #122 Zhenhua RD., Futian, Shenzhen, China





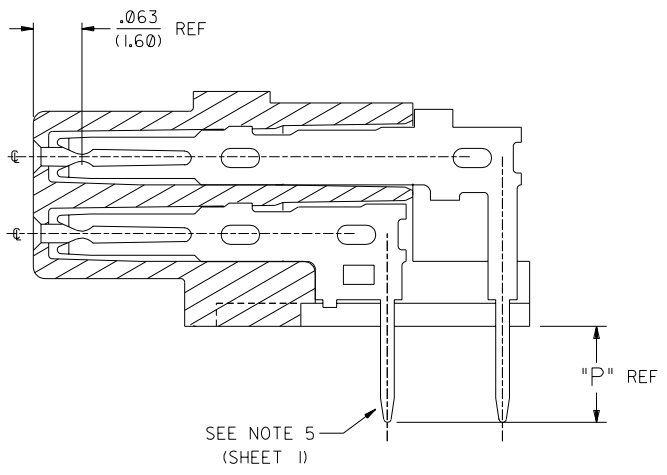
- NOTES:
- REFER TO PS-79058 PRODUCT SPEC. FOR ELECTRICAL, MECHANICAL AND ENVIRONMENTAL SPECIFICATIONS.
  - MATERIAL:  
RECEPTACLE HOUSING: GLASS FILLED LCP (LIQUID CRYSTAL POLYMER); COLOR - BLACK; UL 94V-0  
TERMINALS: PHOSPHOR BRONZE
  - PACKAGING:  
PARTS PACKAGED IN TUBES PER PK-70873-0423
  - SEE SHEET 5 FOR CHARTED DIMENSIONS.
  - FOR FIXED TAIL/PCB PATTERN AT LAST CIRCUIT POSITIONS REFER TO SECTION A-A ON SHEETS 2 AND 3, AND PCB LAYOUT SHOWN ON SHEETS 4 AND 5.
- PLATING FINISH  
SELECTIVE GOLD: THICKNESS= 30 MICROINCHES/(0.76 MICROMETERS) MINIMUM.  
SELECTIVE TIN: THICKNESS= 75 MICROINCHES/(1.90 MICROMETERS) MINIMUM.  
NICKEL UNDERPLATE OVERALL.

NOTE FOR LEAD FREE CONVERSION:  
THE PRIMARY SHIPPING CARTON WILL BE LABELED "COMPLIANT TO ROHS DIRECTIVE 2002/95/EC AND ELV ANNEX II OF DIRECTIVE 2000/53/EC". CARTONS WITHOUT THIS LABEL MAY CONTAIN PRODUCT WITH LEAD.

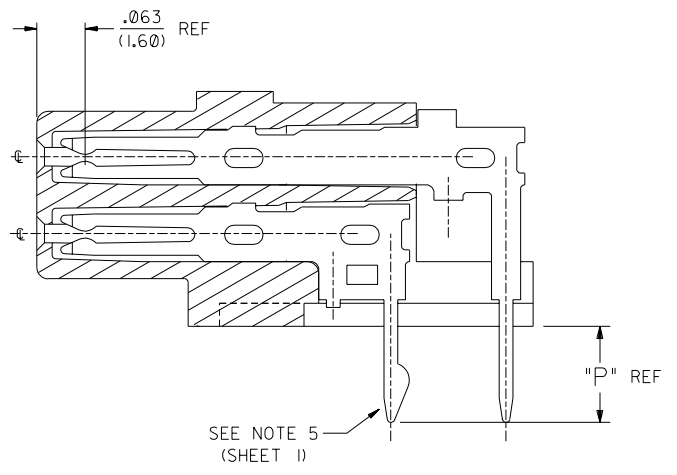
E		ADDED -3* SERIES EC #UDT2000-0115 J. LONG 99/07/30		DIMENSIONS SHOWN (METRIC) INCH UNLESS OTHERWISE SPECIFIED TOLERANCES: ANGULAR ± 1/2°		REVISE ONLY ON CAD SYSTEM	
G	DI	OBSOLETE PART # ECN# UCP2005-0311 BSMART 04/08/09		3 PLACE ± .005 ---		TITLE SALES ASSEMBLY SCSI RECEPTACLE	
F	D	LEADFREE ECN# UCP2004-1925 DMORGAN 04/04/06		2 PLACE ± --- ± 0.13		MOLEX INCORPORATED SHEET NO. DATE U.S.A. 1 of 5 95/03/02	
LTR. REVISIONS		LTR. REVISIONS		1 PLACE --- ± ---		PART NO. DRWG. NO. SEE SHEET 5 SDA-71061-****	
				DRAFT WHERE APPLICABLE MUST REMAIN WITHIN DIMENSIONS		FILE NAME 57106101.DGN	
				DRWG. BY J. Long CHK'D BY J. Long		THIS DRAWING CONTAINS INFORMATION THAT IS PROPRIETARY TO MOLEX INC. AND SHOULD NOT BE USED WITHOUT WRITTEN PERMISSION.	
				APPR. BY DJB SCALE 4 1		DIV. SIZE dc C	

5	G
4	G
3	G
2	G
1	G
MFG. SH. REV.	

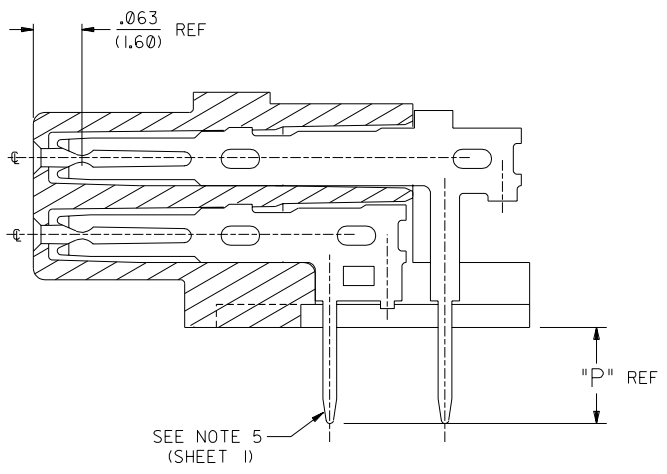
71061



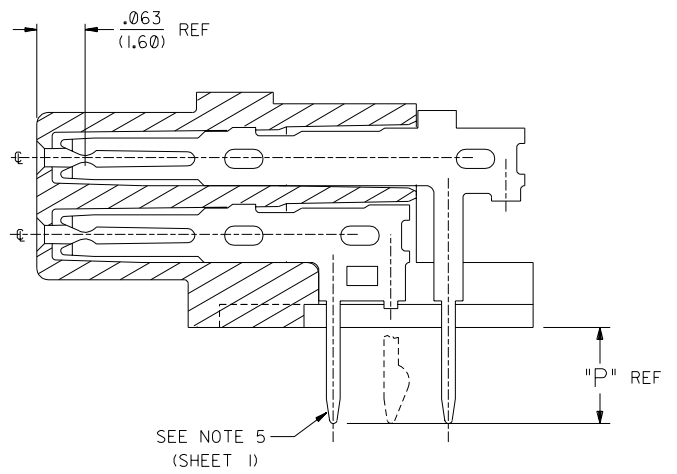
FOR 50 CIRCUIT ASSEMBLIES  
A-71061-0\*\*\*



FOR 50 CIRCUIT ASSEMBLIES  
A-71061-1\*\*\*



FOR 68 CIRCUIT ASSEMBLIES  
SECTION A-A  
A-71061-0\*\*\*



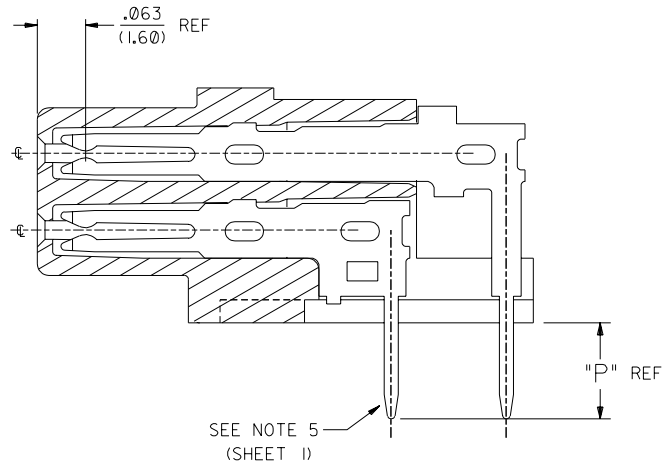
FOR 68 CIRCUIT ASSEMBLIES  
SECTION A-A  
FOR RETENTION TAIL OPTION  
A-71061-1\*\*\*

\*\* TYPE I TAIL OPTIONS \*\*

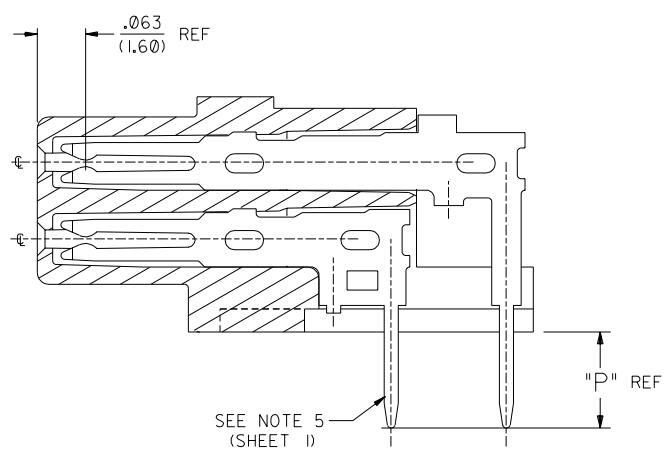
		D	SEE SHEET 1
G	SEE SHEET 1	B	SEE SHEET 1
E	SEE SHEET 1	A	SEE SHEET 1
LTR.	REVISIONS	LTR.	REVISIONS

DIMENSIONS SHOWN (METRIC) INCH	
UNLESS OTHERWISE SPECIFIED TOLERANCES: ANGULAR $\pm 1/2^\circ$	
3 PLACE	$\pm .005$
2 PLACE	$\pm .01$
1 PLACE	$\pm .1$
DRAFT WHERE APPLICABLE MUST REMAIN WITHIN DIMENSIONS	
DRG. BY: J. Long	CHK'D. BY: J. Long
APP'D. BY:	SCALE: 4:1

MFG. SH. REV.		REVISE ONLY ON CAD SYSTEM	
TITLE: SALES ASSEMBLY SCSI RECEPTACLE			
FROM: MOLEX INCORPORATED, LISLE, ILL. 60532	SHEET NO. 2	DATE: 95/03/03	U.S.A.
PART NO. SEE SHEET 5	DRWG. NO. SDA-71061-****	FILE NAME: S7106102.DGN	THIS DRAWING CONTAINS INFORMATION THAT IS PROPRIETARY TO MOLEX INC. AND SHOULD NOT BE USED WITHOUT WRITTEN PERMISSION.
DC	DC	DC	DC



FOR TYPE I 50 CIRCUIT ASSEMBLIES  
A-71061-2\*\*\*



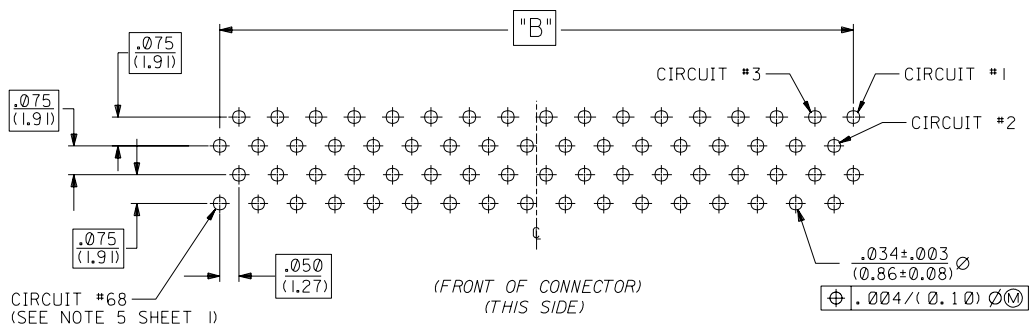
FOR TYPE II 68 CIRCUIT ASSEMBLIES  
SECTION A-A  
A-71061-2\*\*\*

MFG.	SH.	REV.
------	-----	------

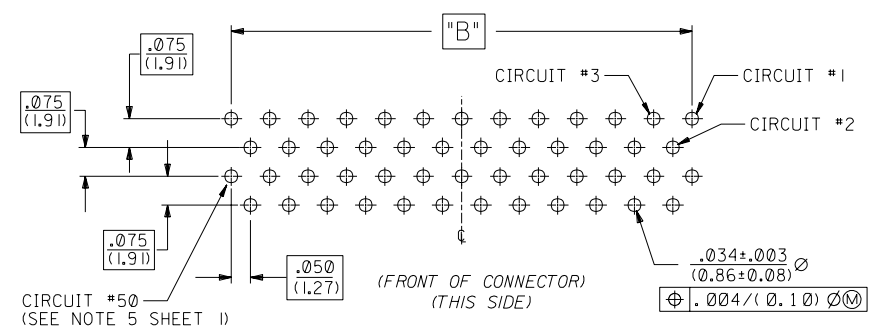
		G	SEE SHEET 1
		E	SEE SHEET 1
		D	SEE SHEET 1
LTR.	REVISIONS	LTR.	REVISIONS

DIMENSIONS SHOWN (METRIC) INCH	
UNLESS OTHERWISE SPECIFIED TOLERANCES: ANGULAR $\pm 1/2^\circ$	
3 PLACE	$\pm .005$
2 PLACE	$\pm .01$
1 PLACE	$\pm .01$
DRAFT WHERE APPLICABLE MUST REMAIN WITHIN DIMENSIONS	
DRG. BY: <i>J. Long</i>	CHK'D. BY: <i>J. Long</i>
APP'D. BY:	SCALE: 4:1

TITLE		REVISE ONLY ON CAD SYSTEM	
SALES ASSEMBLY SCSI RECEPTACLE			
MOLEX	MOLEX INCORPORATED	SHEET NO.	DATE
LISLE, ILL.	60532 U.S.A.	3	95/11/14
PART NO.	DRWG. NO.		
SEE SHEET 5	SDA-71061-****		
FILE NAME	THIS DRAWING CONTAINS INFORMATION THAT IS PROPRIETARY TO MOLEX INC. AND SHOULD NOT BE USED WITHOUT WRITTEN PERMISSION.	DIV.	SIZE
57106103		DC	C

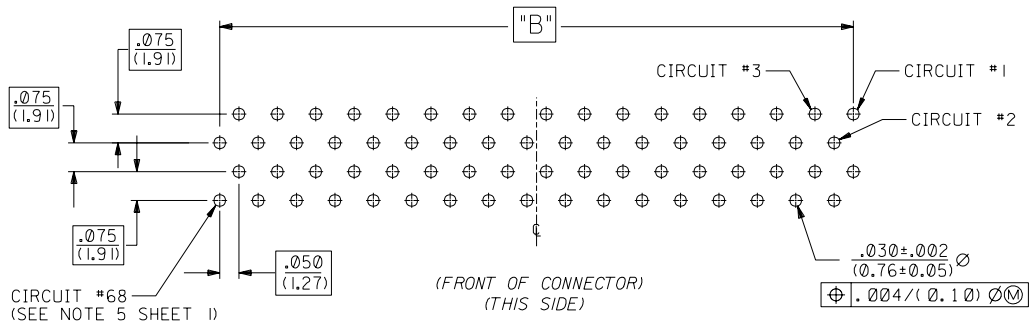


TYPE 168 CIRCUIT P.C. BOARD LAYOUT  
CONNECTOR SIDE

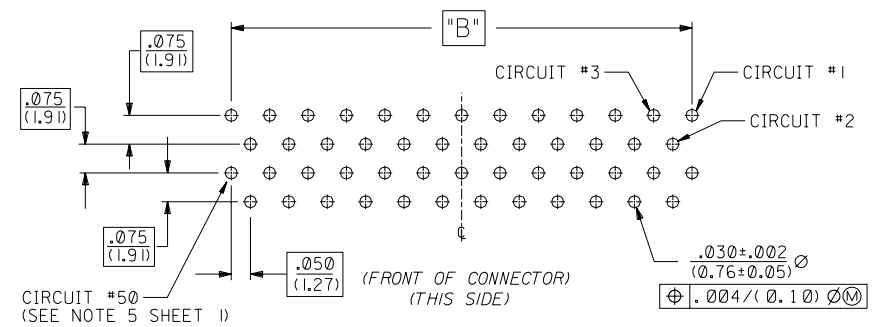


TYPE 150 CIRCUIT P.C. BOARD LAYOUT  
CONNECTOR SIDE

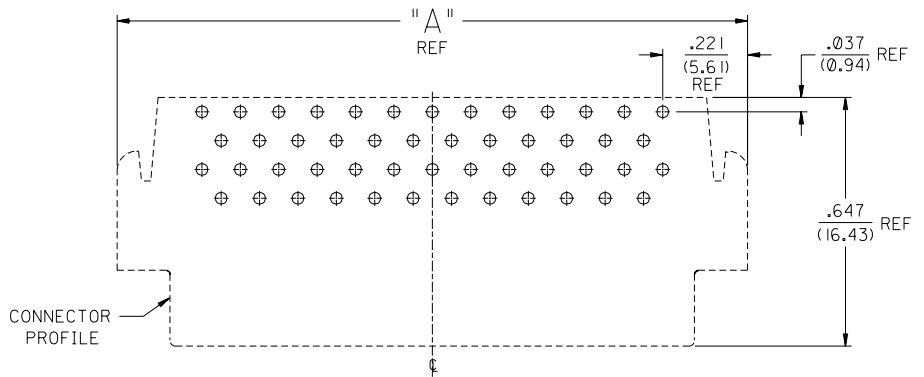
TYPE 1 TAIL P.C. BOARD LAYOUT FOR A-71061-0\*\*\*



TYPE 168 CIRCUIT P.C. BOARD LAYOUT  
CONNECTOR SIDE



TYPE 150 CIRCUIT P.C. BOARD LAYOUT  
CONNECTOR SIDE

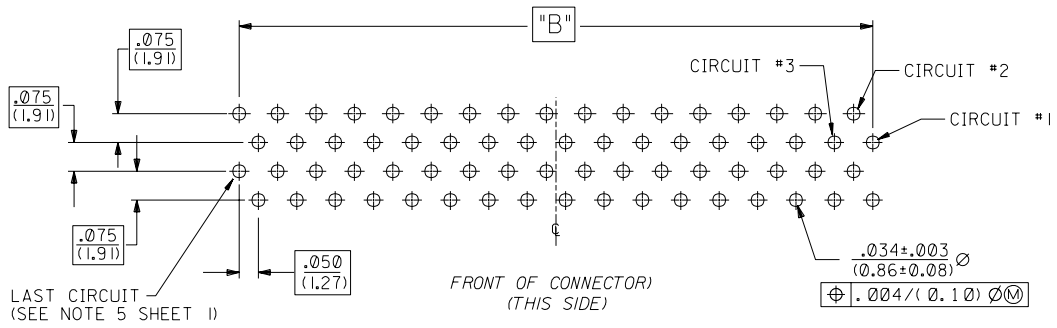


RECOMMENDED CONNECTOR LAYOUT  
(50 CKT SHOWN FOR REFERENCE)

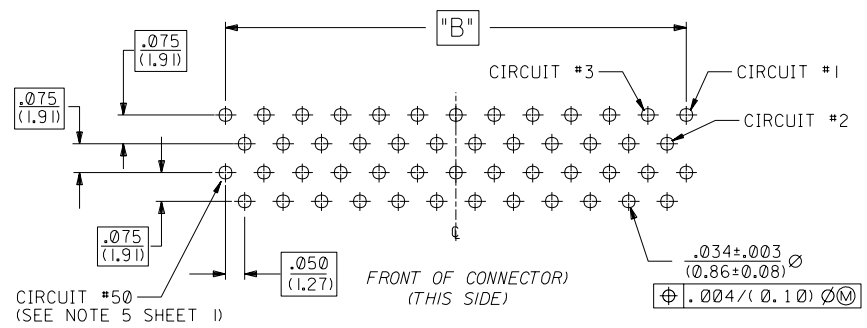
TYPE 1 RETENTION TAIL P.C. BOARD LAYOUT A-71061-1\*\*\*

LTR.		REVISIONS	LTR.	REVISIONS	D		SEE SHEET 1	DIMENSIONS SHOWN (METRIC) INCH UNLESS OTHERWISE SPECIFIED TOLERANCES: ANGULAR ± 1/2°		MFG. SH. REV.		REVISE ONLY ON CAD SYSTEM	
G		SEE SHEET 1	B		G		SEE SHEET 1	INCH METRIC		TITLE		SALES ASSEMBLY SCSI RECEPTACLE	
E		SEE SHEET 1	A		E		SEE SHEET 1	3 PLACE ± .005 2 PLACE ± --- ± 0.13 1 PLACE --- ± ---		MOLEX INCORPORATED LISLE, ILL. 60532 U.S.A.		SHEET NO. 4 DATE 95/03/03	
LTR.		REVISIONS	LTR.		E		SEE SHEET 1	DRAFT WHERE APPLICABLE MUST REMAIN WITHIN DIMENSIONS		PART NO.		SDA-71061-****	
BY		J. Long	BY		BY		J. Long	SCALE 4:1		FILE NAME		57106104.DGN	
APPR.			APPR.		APPR.			THIS DRAWING CONTAINS INFORMATION THAT IS PROPRIETARY TO MOLEX INC. AND SHOULD NOT BE USED WITHOUT WRITTEN PERMISSION.		DIV.		DC	

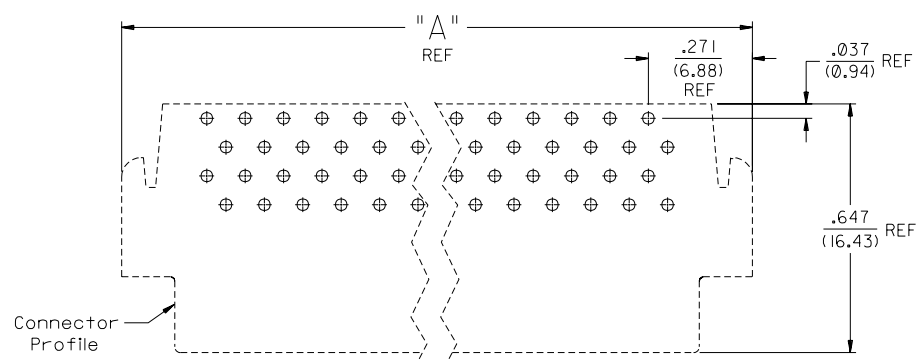
13		12		11		10		9		8		7		6		71061		4		3		2		1	
A-71061-0*** ITEM NO.		A-71061-1*** ITEM NO.		A-71061-2*** ITEM NO.				CKT. SIZE		DIM. A INCH MM		DIM. B INCH MM		DIM. C INCH MM		DIM. P INCH MM		RECMD PCB INCH MM							
71061-0001								50		1.642 41.71		1.200 30.48		1.366 34.70		.125 3.18		.062 1.57							
71061-0003		71061-1003		71061-2003				68		2.092 53.14		1.650 41.91		1.816 46.13		.125 3.18		.062 1.57							



TYPE 1168 CIRCUIT P.C. BOARD LAYOUT  
CONNECTOR SIDE



TYPE 150 CIRCUIT P.C. BOARD LAYOUT  
CONNECTOR SIDE



Recommended Connector Layout  
(TYPE 1168 CIRCUIT SHOWN FOR REFERENCE)

TYPE 11 TAIL P.C. BOARD LAYOUT FOR 68 CKT A-71061-2\*\*\*

G		SEE SHEET 1	D		SEE SHEET 1	F		SEE SHEET 1	E		SEE SHEET 1	F		SEE SHEET 1																								
LTR.		REVISIONS	LTR.		REVISIONS	LTR.		REVISIONS	LTR.		REVISIONS	LTR.		REVISIONS																								
DIMENSIONS SHOWN (METRIC) INCH UNLESS OTHERWISE SPECIFIED TOLERANCES: ANGULAR $\pm 1/2^\circ$ <table border="1"> <tr> <th>5 PLACE</th> <th>±</th> <th>.005</th> <th>---</th> <th>---</th> </tr> <tr> <th>2 PLACE</th> <th>±</th> <th>---</th> <th>± 0.13</th> <th>---</th> </tr> <tr> <th>1 PLACE</th> <th>---</th> <th>---</th> <th>±</th> <th>---</th> </tr> </table> DRAFT WHERE APPLICABLE MUST REMAIN WITHIN DIMENSIONS DRG. BY: J. Long    CHK'D. BY: J. Long APP'D. BY:    SCALE: 4:1												5 PLACE	±	.005	---	---	2 PLACE	±	---	± 0.13	---	1 PLACE	---	---	±	---	MFG. SH. REV. REVISIONS		TITLE: SALES ASSEMBLY SCSI RECEPTACLE PART NO.: SEE CHART FILE NAME: 57106105.DGN MOLEX INCORPORATED, LISLE, ILL. 60532 U.S.A. SHEET NO. 5 DATE 95/11/14 DRWG. NO. SDA-71061-**** THIS DRAWING CONTAINS INFORMATION THAT IS PROPRIETARY TO MOLEX INC. AND SHOULD NOT BE USED WITHOUT WRITTEN PERMISSION.									
5 PLACE	±	.005	---	---																																		
2 PLACE	±	---	± 0.13	---																																		
1 PLACE	---	---	±	---																																		