



Chipsmall Limited consists of a professional team with an average of over 10 year of expertise in the distribution of electronic components. Based in Hongkong, we have already established firm and mutual-benefit business relationships with customers from,Europe,America and south Asia,supplying obsolete and hard-to-find components to meet their specific needs.

With the principle of “Quality Parts,Customers Priority,Honest Operation,and Considerate Service”,our business mainly focus on the distribution of electronic components. Line cards we deal with include Microchip,ALPS,ROHM,Xilinx,Pulse,ON,Everlight and Freescale. Main products comprise IC,Modules,Potentiometer,IC Socket,Relay,Connector.Our parts cover such applications as commercial,industrial, and automotives areas.

We are looking forward to setting up business relationship with you and hope to provide you with the best service and solution. Let us make a better world for our industry!



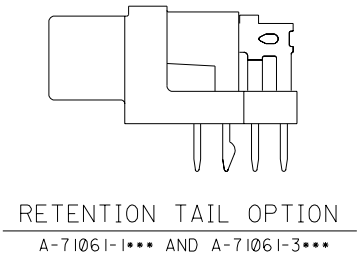
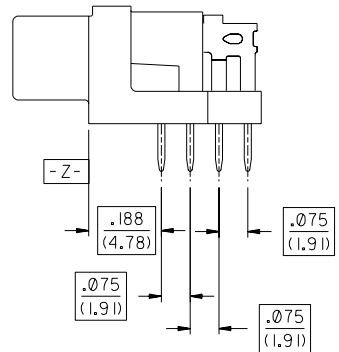
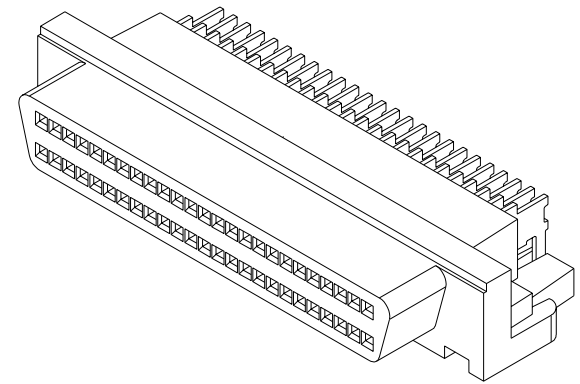
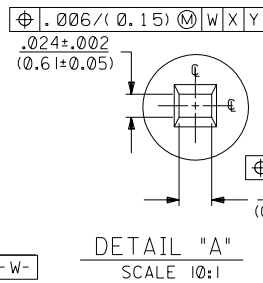
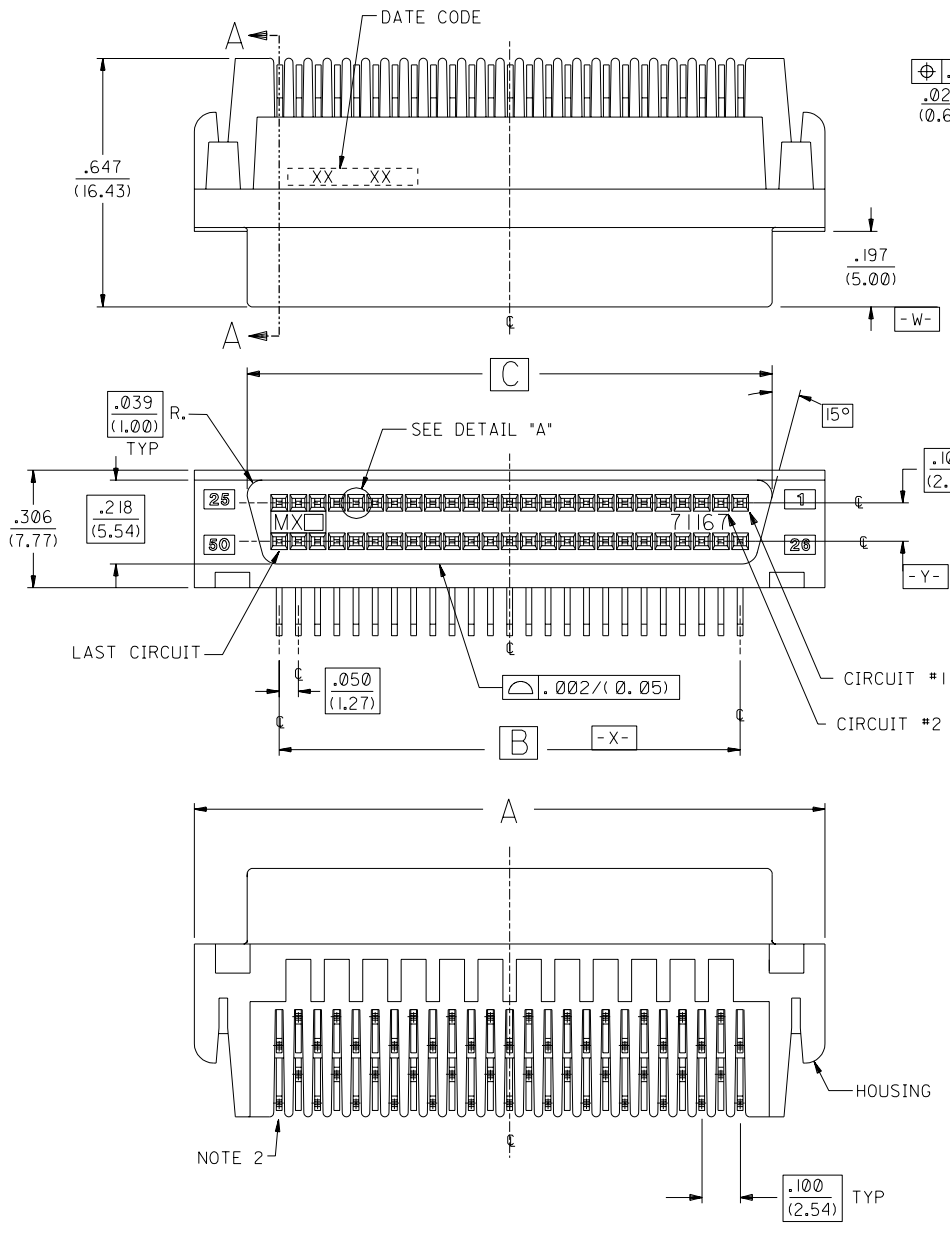
Contact us

Tel: +86-755-8981 8866 Fax: +86-755-8427 6832

Email & Skype: info@chipsmall.com Web: www.chipsmall.com

Address: A1208, Overseas Decoration Building, #122 Zhenhua RD., Futian, Shenzhen, China





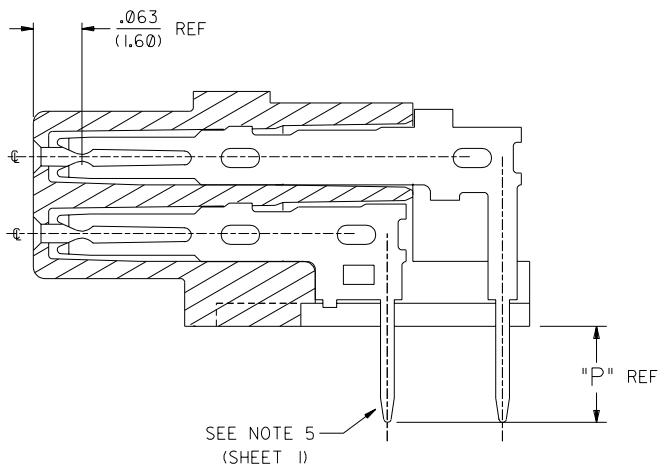
- NOTES:
- REFER TO PS-79058 PRODUCT SPEC. FOR ELECTRICAL, MECHANICAL AND ENVIRONMENTAL SPECIFICATIONS.
 - MATERIAL:
RECEPTACLE HOUSING: GLASS FILLED LCP (LIQUID CRYSTAL POLYMER); COLOR - BLACK; UL 94V-0
TERMINALS: PHOSPHOR BRONZE
 - PACKAGING:
PARTS PACKAGED IN TUBES PER PK-70873-0423
 - SEE SHEET 5 FOR CHARTED DIMENSIONS.
 - FOR FIXED TAIL/PCB PATTERN AT LAST CIRCUIT POSITIONS REFER TO SECTION A-A ON SHEETS 2 AND 3, AND PCB LAYOUT SHOWN ON SHEETS 4 AND 5.
- PLATING FINISH
SELECTIVE GOLD: THICKNESS= 30 MICROINCHES/(0.76 MICROMETERS) MINIMUM.
SELECTIVE TIN: THICKNESS= 75 MICROINCHES/(1.90 MICROMETERS) MINIMUM.
NICKEL UNDERPLATE OVERALL.

NOTE FOR LEAD FREE CONVERSION:
THE PRIMARY SHIPPING CARTON WILL BE LABELED "COMPLIANT TO ROHS DIRECTIVE 2002/95/EC AND ELV ANNEX II OF DIRECTIVE 2000/53/EC". CARTONS WITHOUT THIS LABEL MAY CONTAIN PRODUCT WITH LEAD.

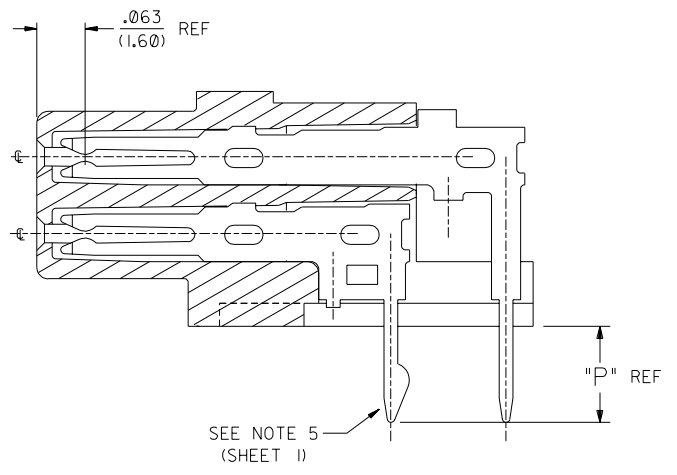
E		ADDED -3* SERIES EC #UDT2000-0115 J. LONG 99/07/30		DIMENSIONS SHOWN (METRIC) INCH UNLESS OTHERWISE SPECIFIED TOLERANCES: ANGULAR ± 1/2°		REVISE ONLY ON CAD SYSTEM	
G	DI	OBSOLETE PART # ECN# UCP2005-0311 BSMART 04/08/09		3 PLACE ± .005 ---		TITLE SALES ASSEMBLY SCSI RECEPTACLE	
F	D	LEADFREE ECN# UCP2004-1925 DMORGAN 04/04/06		2 PLACE ± --- ± 0.13		MOLEX INCORPORATED SHEET NO. DATE U.S.A. 1 of 5 95/03/02	
LTR. REVISIONS		LTR. REVISIONS		1 PLACE --- ± ---		PART NO. DRWG. NO. SEE SHEET 5 SDA-71061-****	
				DRAWING APPLICABLE MUST REMAIN WITHIN DIMENSIONS		FILE NAME 57106101.DGN	
				DRAWN BY J. Long		THIS DRAWING CONTAINS INFORMATION THAT IS PROPRIETARY TO MOLEX INC. AND SHOULD NOT BE USED WITHOUT WRITTEN PERMISSION.	
				CHECKED BY J. Long		DIV. SIZE dc C	
				APPROVED BY DJB			

5	G
4	G
3	G
2	G
1	G
MFG. SH. REV.	

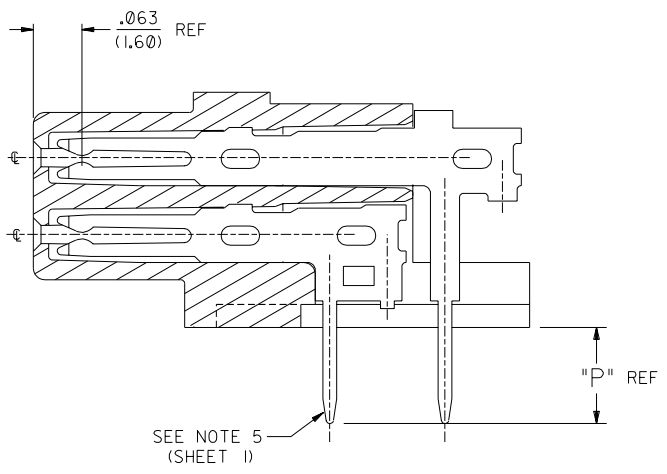
71061



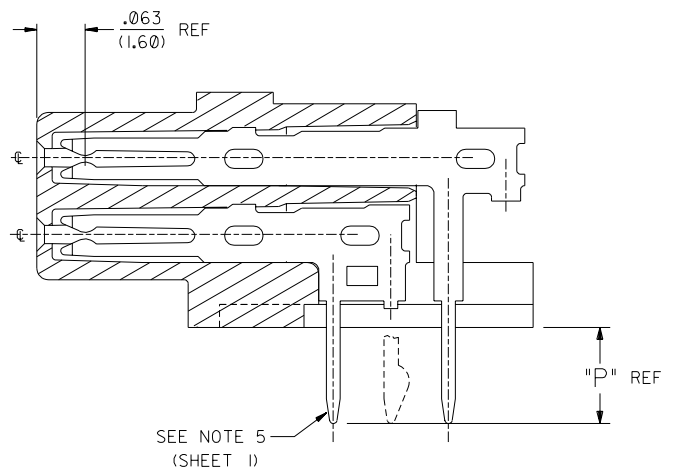
FOR 50 CIRCUIT ASSEMBLIES
A-71061-0***



FOR 50 CIRCUIT ASSEMBLIES
A-71061-1***



FOR 68 CIRCUIT ASSEMBLIES
SECTION A-A
A-71061-0***



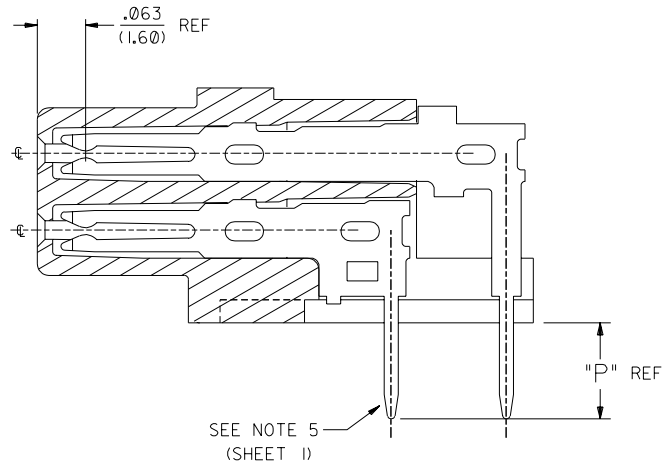
FOR 68 CIRCUIT ASSEMBLIES
SECTION A-A
FOR RETENTION TAIL OPTION
A-71061-1***

** TYPE I TAIL OPTIONS **

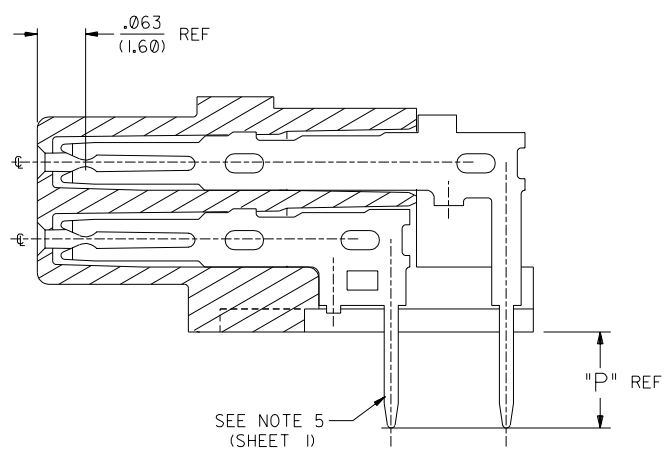
		D	SEE SHEET 1
G	SEE SHEET 1	B	SEE SHEET 1
E	SEE SHEET 1	A	SEE SHEET 1
LTR.	REVISIONS	LTR.	REVISIONS

DIMENSIONS SHOWN (METRIC) INCH	
UNLESS OTHERWISE SPECIFIED TOLERANCES: ANGULAR $\pm 1/2^\circ$	
3 PLACE $\pm .005$	---
2 PLACE \pm ---	± 0.13
1 PLACE ---	\pm ---
DRAFT WHERE APPLICABLE MUST REMAIN WITHIN DIMENSIONS	
DRG. BY: <i>J. Long</i>	CHK'D. BY: <i>J. Long</i>
APP'D. BY:	SCALE: 4 : 1

MFG. SH. REV.		REVISE ONLY ON CAD SYSTEM	
TITLE: SALES ASSEMBLY SCSI RECEPTACLE			
FROM: MOLEX INCORPORATED	SHEET NO. 2	DATE 95/03/03	
LISLE, ILL. 60532 U.S.A.			
PART NO. SEE SHEET 5	DRWG. NO. SDA-71061-****		
FILE NAME: S7106102.DGN		DIV. DC	SIZE C
THIS DRAWING CONTAINS INFORMATION THAT IS PROPRIETARY TO MOLEX INC. AND SHOULD NOT BE USED WITHOUT WRITTEN PERMISSION.			



FOR TYPE I 50 CIRCUIT ASSEMBLIES
A-71061-2***



FOR TYPE II 68 CIRCUIT ASSEMBLIES
SECTION A-A
A-71061-2***

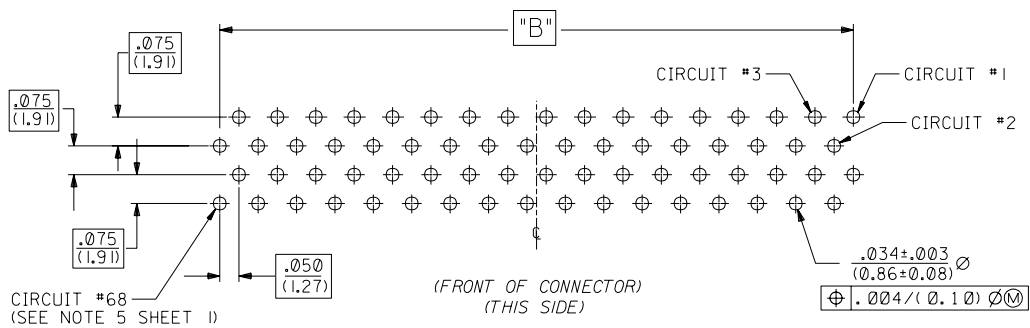
71061

MFG.	SH.	REV.
------	-----	------

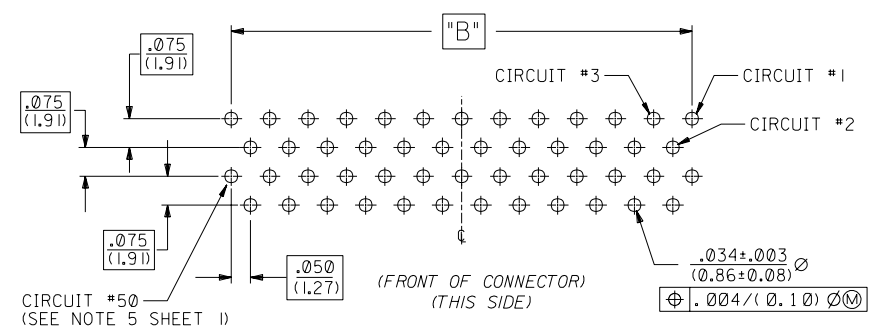
		G	SEE SHEET 1
		E	SEE SHEET 1
		D	SEE SHEET 1
LTR.	REVISIONS	LTR.	REVISIONS

DIMENSIONS SHOWN (METRIC) INCH	
UNLESS OTHERWISE SPECIFIED TOLERANCES: ANGULAR $\pm 1/2^\circ$	
3 PLACE	$\pm .005$
2 PLACE	$\pm .01$
1 PLACE	$\pm .05$
DRAFT WHERE APPLICABLE MUST REMAIN WITHIN DIMENSIONS	
DRG. BY: <i>J. Long</i>	CHK'D. BY: <i>J. Long</i>
APP'D. BY:	SCALE: 4:1

TITLE		REVISE ONLY ON CAD SYSTEM	
SALES ASSEMBLY SCSI RECEPTACLE			
MOLEX	MOLEX INCORPORATED	SHEET NO.	DATE
115LE,ILL.	68532	3	95/11/14
PART NO.	DRWG. NO.		
SEE SHEET 5	SDA-71061-****		
FILE NAME	THIS DRAWING CONTAINS INFORMATION THAT IS PROPRIETARY TO MOLEX INC. AND SHOULD NOT BE USED WITHOUT WRITTEN PERMISSION.	DIV.	SIZE
57106103		DC	C

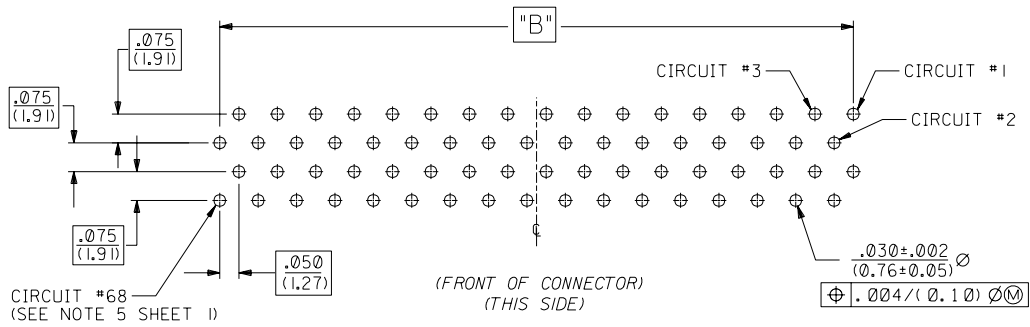


TYPE 168 CIRCUIT P.C. BOARD LAYOUT
CONNECTOR SIDE

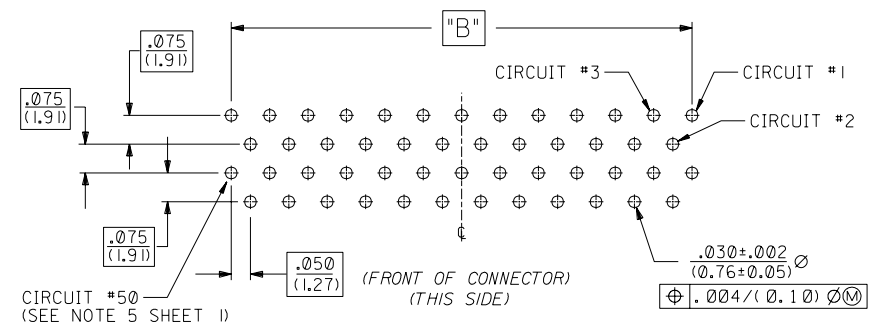


TYPE 150 CIRCUIT P.C. BOARD LAYOUT
CONNECTOR SIDE

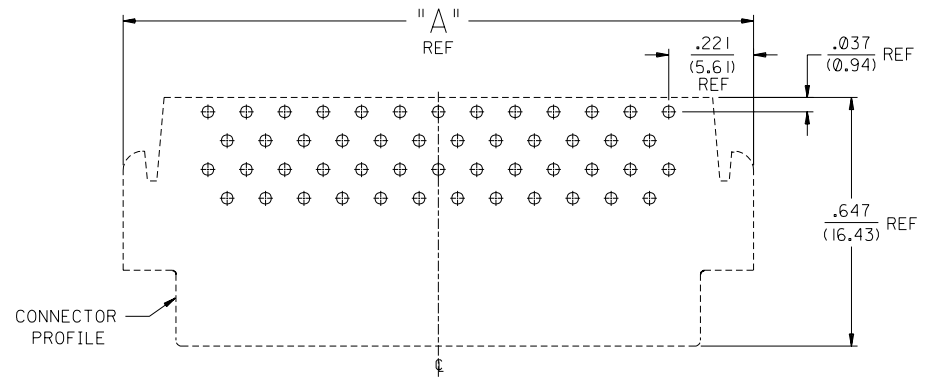
TYPE I TAIL P.C. BOARD LAYOUT FOR A-71061-0***



TYPE 168 CIRCUIT P.C. BOARD LAYOUT
CONNECTOR SIDE



TYPE 150 CIRCUIT P.C. BOARD LAYOUT
CONNECTOR SIDE

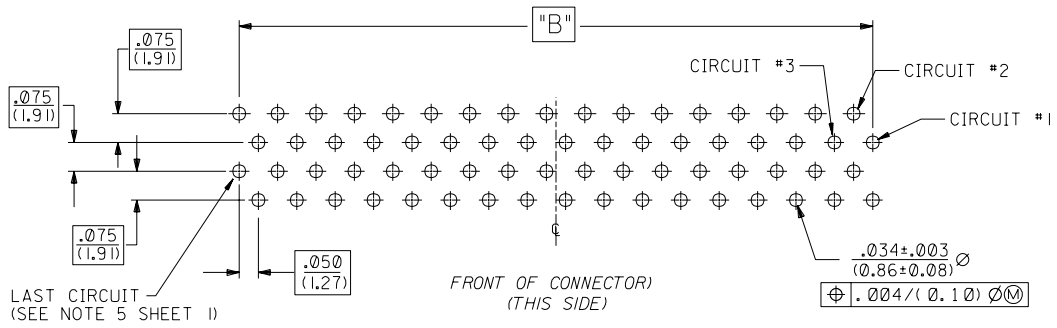


RECOMMENDED CONNECTOR LAYOUT
(50 CKT SHOWN FOR REFERENCE)

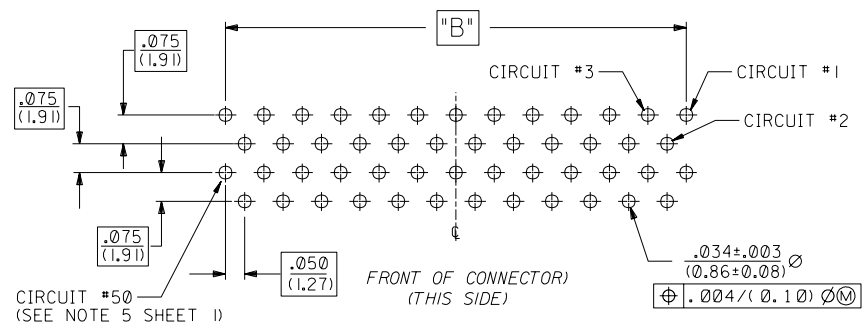
TYPE I RETENTION TAIL P.C. BOARD LAYOUT A-71061-1***

LTR.		REVISIONS	LTR.	REVISIONS	DIMENSIONS SHOWN (METRIC) INCH UNLESS OTHERWISE SPECIFIED TOLERANCES: ANGULAR ± 1/2°		MFG. SH. REV.		REVISE ONLY ON CAD SYSTEM	
G		SEE SHEET 1	B		SEE SHEET 1		TITLE		SALES ASSEMBLY SCSI RECEPTACLE	
E		SEE SHEET 1	A		SEE SHEET 1		PART NO.		SDA-71061-****	
LTR.		REVISIONS	LTR.	REVISIONS	DRAWG. NO.		MOLEX INCORPORATED		SHEET NO. 4	
BY		J. Long	BY		J. Long		L15LEJLL		DATE 95/03/03	
APPR.			SCALE		4:1		FILE NAME		57106104	
BY			SCALE		4:1		THIS DRAWING CONTAINS INFORMATION THAT IS PROPRIETARY TO MOLEX INC. AND SHOULD NOT BE USED WITHOUT WRITTEN PERMISSION.		DIV. DC	

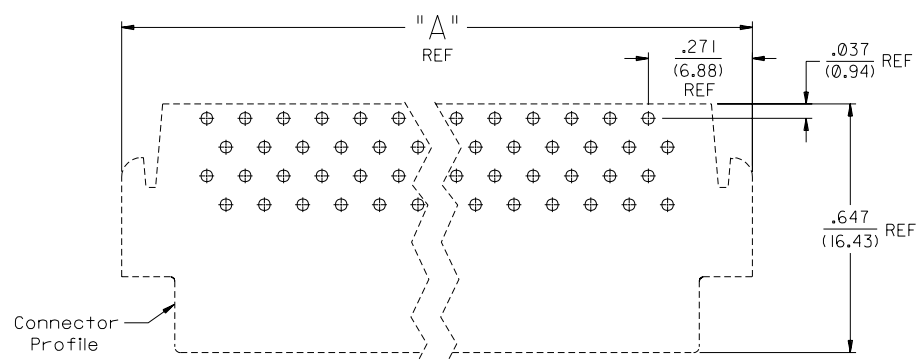
13		12		11		10		9		8		7		6		71061		4		3		2		1	
A-71061-0*** ITEM NO.		A-71061-1*** ITEM NO.		A-71061-2*** ITEM NO.				CKT. SIZE		DIM. A		DIM. B		DIM. C		DIM. P		RECMD PCB							
71061-0001								50		1.642 41.71		1.200 30.48		1.366 34.70		.125 3.18		.062 1.57							
71061-0003		71061-1003		71061-2003				68		2.092 53.14		1.650 41.91		1.816 46.13		.125 3.18		.062 1.57							



TYPE 1168 CIRCUIT P.C. BOARD LAYOUT
CONNECTOR SIDE



TYPE 150 CIRCUIT P.C. BOARD LAYOUT
CONNECTOR SIDE



Recommended Connector Layout
(TYPE 1168 CIRCUIT SHOWN FOR REFERENCE)

TYPE 11 TAIL P.C. BOARD LAYOUT FOR 68 CKT A-71061-2***

G		SEE SHEET 1		D		SEE SHEET 1		UNLESS OTHERWISE SPECIFIED TOLERANCES: ANGULAR $\pm 1/2^\circ$		REVISIONS		MFG. SH. REV.	
E		SEE SHEET 1		F		SEE SHEET 1		5 PLACE $\pm .005$		TITLE		REVISE ONLY ON CAD SYSTEM	
D		SEE SHEET 1		E		SEE SHEET 1		2 PLACE $\pm \dots \pm 0.13$		SALES ASSEMBLY SCSI RECEPTACLE		SHEET NO. 5	
C		SEE SHEET 1		D		SEE SHEET 1		1 PLACE $\pm \dots \pm \dots$		MOLEX INCORPORATED		DATE 95/11/14	
B		SEE SHEET 1		C		SEE SHEET 1		DRAFT WHERE APPLICABLE MUST REMAIN WITHIN DIMENSIONS		L1SLE,ILL. 60532		U.S.A.	
A		SEE SHEET 1		B		SEE SHEET 1		APPROVED BY: J. Long		PART NO. SEE CHART		SDA-71061-****	
LTR.		REVISIONS		LTR.		REVISIONS		SCALE 4:1		FILE NAME 57106105.DGN		DIV. DC	