



Chipsmall Limited consists of a professional team with an average of over 10 year of expertise in the distribution of electronic components. Based in Hongkong, we have already established firm and mutual-benefit business relationships with customers from,Europe,America and south Asia,supplying obsolete and hard-to-find components to meet their specific needs.

With the principle of “Quality Parts,Customers Priority,Honest Operation,and Considerate Service”,our business mainly focus on the distribution of electronic components. Line cards we deal with include Microchip,ALPS,ROHM,Xilinx,Pulse,ON,Everlight and Freescale. Main products comprise IC,Modules,Potentiometer,IC Socket,Relay,Connector.Our parts cover such applications as commercial,industrial, and automotives areas.

We are looking forward to setting up business relationship with you and hope to provide you with the best service and solution. Let us make a better world for our industry!



## Contact us

Tel: +86-755-8981 8866 Fax: +86-755-8427 6832

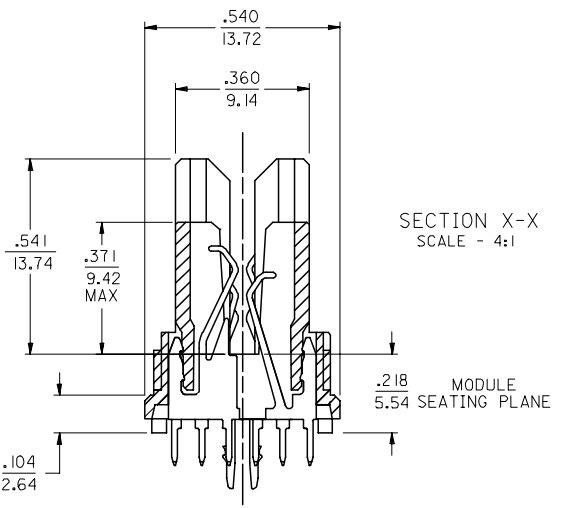
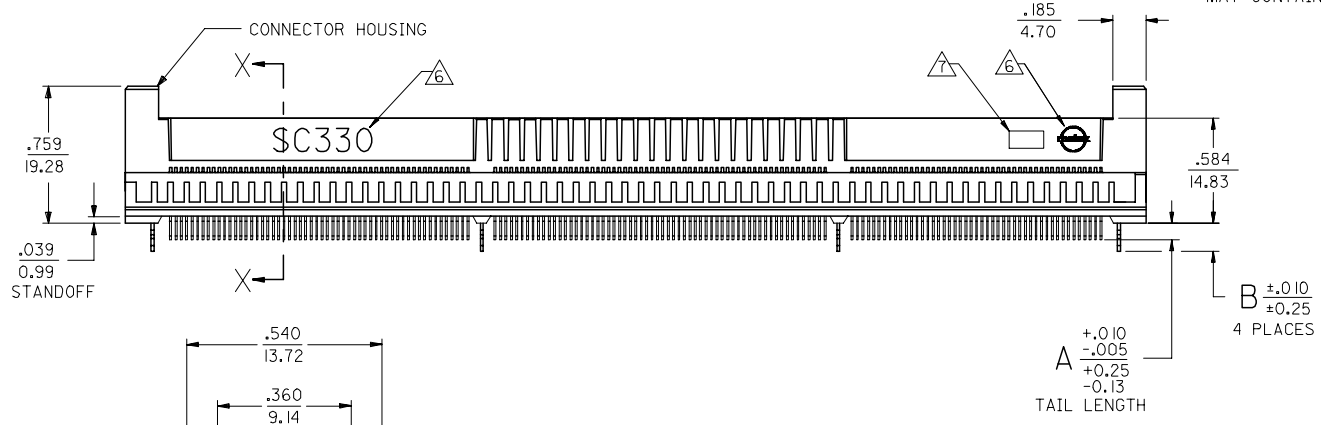
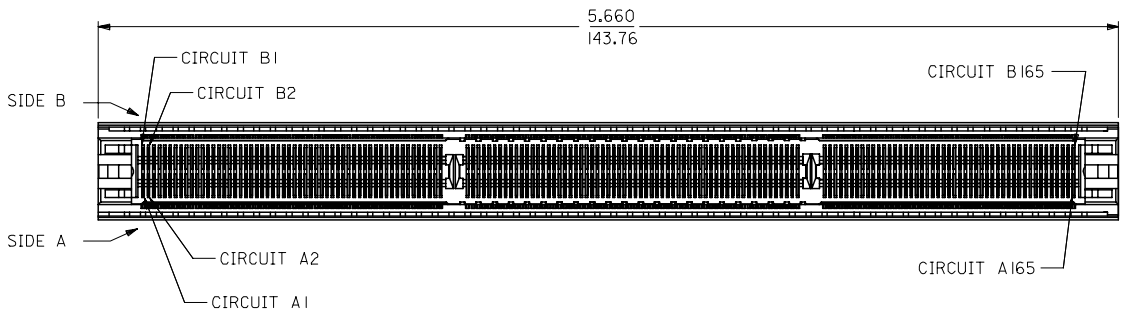
Email & Skype: info@chipsmall.com Web: www.chipsmall.com

Address: A1208, Overseas Decoration Building, #122 Zhenhua RD., Futian, Shenzhen, China



**NOTES:**

- MATERIALS:**  
HOUSING - LCP, 30% GLASS FILLED, 94-VO, BLACK.  
TERMINALS - PHOSPHOR BRONZE.  
METAL FORKLOCKS - PHOSPHOR BRONZE.
- FINISH:**  
TERMINALS - .000030/0.00076 MINIMUM GOLD IN THE CONTACT AREA AND .000075/0.0019 MINIMUM TIN IN SOLDER TAIL AREA OVER .000050/0.0013 MINIMUM NICKEL OVERALL.  
METAL FORKLOCKS - .00008/0.002 MINIMUM TIN OVERALL.
- PRODUCT SPECIFICATION PS-71109-9990 APPLIES.**
- CARD SLOT ACCEPTS .062 +.007/-.005 P.C. BOARD.**
- THE RECOMMENDED PLATING SPECIFICATION FOR THE MATING PC BOARD IS .000030/0.0076 MINIMUM GOLD OVER .000075/0.0019 MINIMUM NICKEL.**
- "SC330" AND MOLEX LOGO SHALL APPEAR ON BOTH SIDES OF HOUSING AND LOCATED APPROXIMATELY AS SHOWN.**
- FOUR DIGIT DATE CODE (YR/WK) SHALL BE LOCATED APPROXIMATELY AS SHOWN.**
- THE PRIMARY SHIPPING CARTON WILL BE LABELED "COMPLIANT TO ROHS DIRECTIVE 2002/95/EC AND ELV ANNEX II OF DIRECTIVE 2000/53/EC". CARTONS WITHOUT THIS LABEL MAY CONTAIN PRODUCT WITH LEAD.**



71109-5007	.140/3.56	.155/3.94
71109-5006	.115/2.92	.155/3.94
71109-5005	.090/2.29	.155/3.94

MAT'L NUMBER	A	B
--------------	---	---

MODIFY 71109-5007	DESCRIPTION
EC NO: UCP2006-1372	
DRWN:MS/BARRA 2005/12/19	
CHKD:DMORGAN 2006/01/05	
APPR:SMILLER 2006/01/06	

QUALITY SYMBOLS	GENERAL TOLERANCES (UNLESS SPECIFIED)	DIMENSION STYLE	SCALE	DESIGN UNITS	THIRD ANGLE PROJECTION
▽=0	mm INCH	IN/MM	2:1	INCH	
▽=0	4 PLACES ± --- ± ---	DRAWN BY DATE			
	3 PLACES ± --- ± .005	NELSON 1997/06/20			
	2 PLACES ± 0.13 ± ---	CHECKED BY DATE			
	1 PLACE ± --- ± ---	NELSON 1997/06/20			
	ANGULAR ±1/2°	APPROVED BY DATE			
		FUNCK 1997/06/20			
	DRAFT WHERE APPLICABLE MUST REMAIN WITHIN DIMENSIONS	MATERIAL NO.	SIZE	DOCUMENT NO.	SHEET NO.
		SEE TABLE	C	SD-71109-503	1 OF 2

TITLE	SALES ASSEMBLY SC330 HISPEC CONNECTOR W/METAL PEGS
MATERIAL NO.	SD-71109-503
SIZE	C

2	F
1	J
SHT	REV

