



Chipsmall Limited consists of a professional team with an average of over 10 year of expertise in the distribution of electronic components. Based in Hongkong, we have already established firm and mutual-benefit business relationships with customers from,Europe,America and south Asia,supplying obsolete and hard-to-find components to meet their specific needs.

With the principle of “Quality Parts,Customers Priority,Honest Operation,and Considerate Service”,our business mainly focus on the distribution of electronic components. Line cards we deal with include Microchip,ALPS,ROHM,Xilinx,Pulse,ON,Everlight and Freescale. Main products comprise IC,Modules,Potentiometer,IC Socket,Relay,Connector.Our parts cover such applications as commercial,industrial, and automotives areas.

We are looking forward to setting up business relationship with you and hope to provide you with the best service and solution. Let us make a better world for our industry!



## Contact us

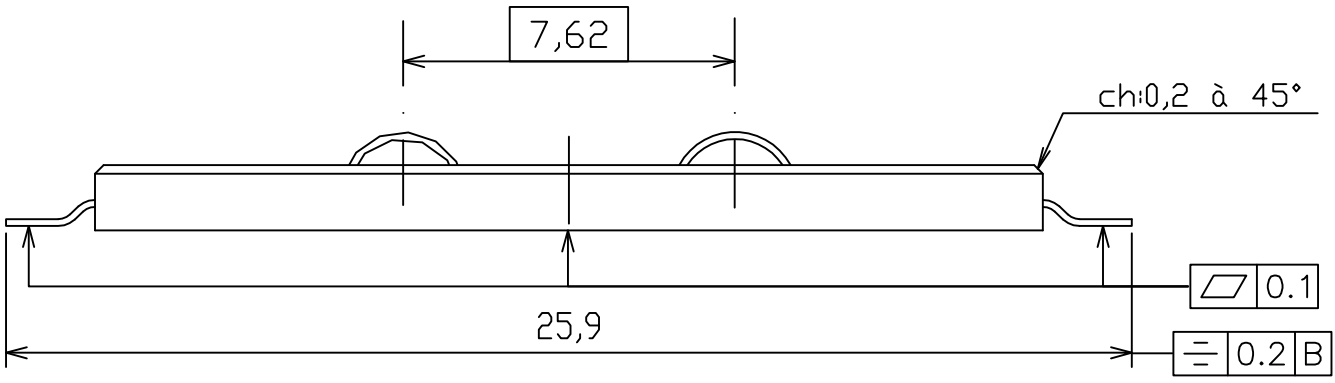
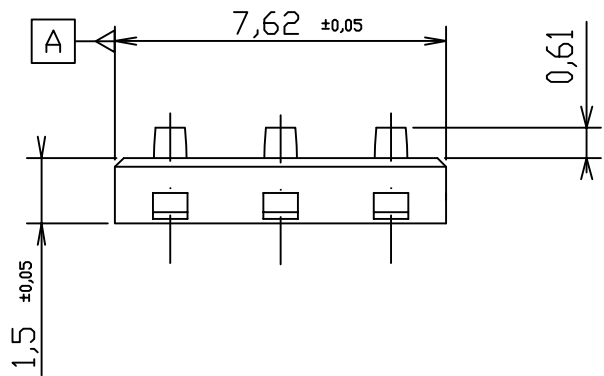
Tel: +86-755-8981 8866 Fax: +86-755-8427 6832

Email & Skype: info@chipsmall.com Web: www.chipsmall.com

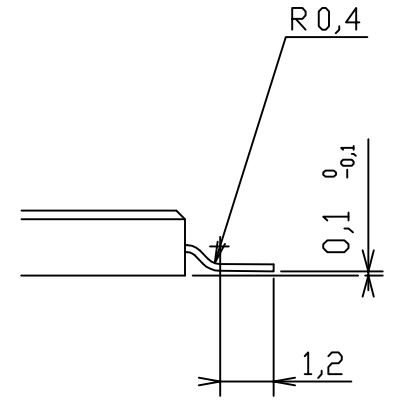
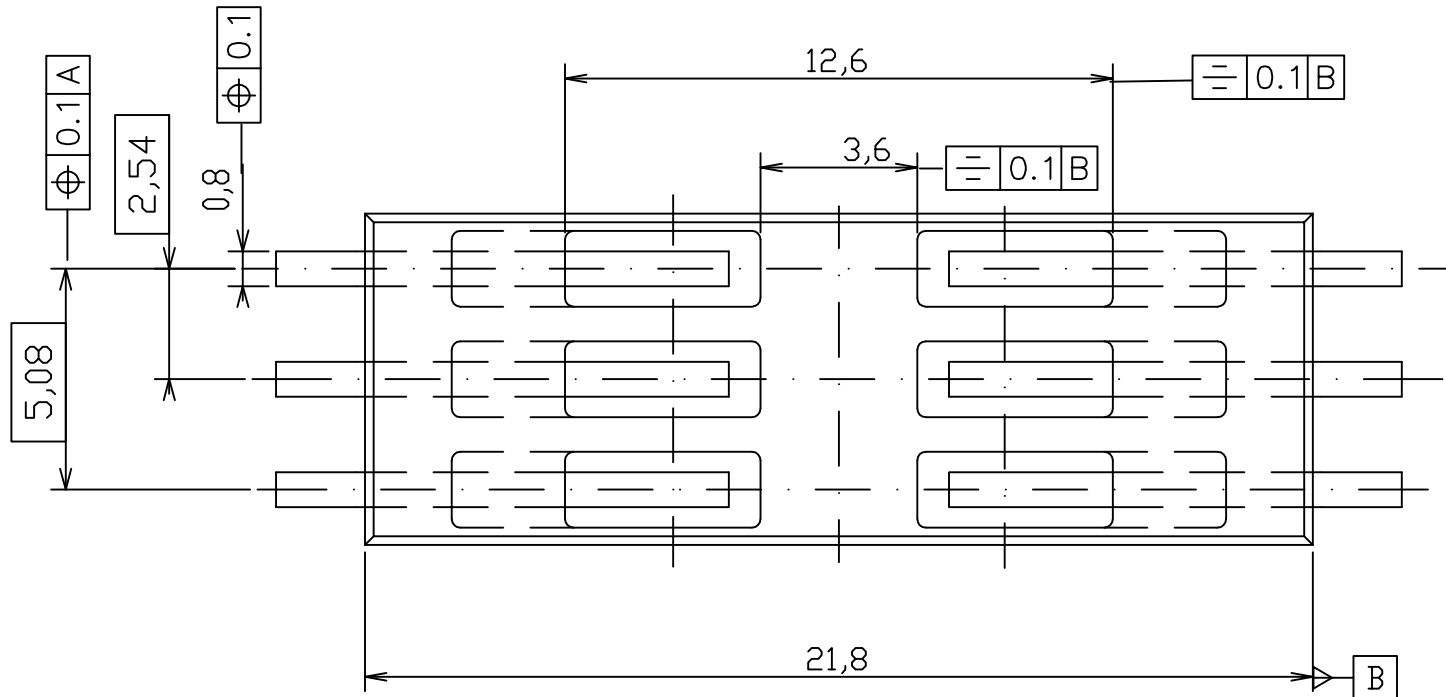
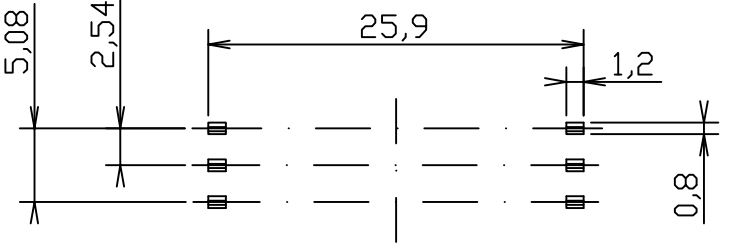
Address: A1208, Overseas Decoration Building, #122 Zhenhua RD., Futian, Shenzhen, China



CATALOGUE NUMBER	LEAD FREE VERSION
7111S1015X01	7111S1015X01LF



Layout onto PCB  
Surface d'appui des contacts sur C.I.



LEAD FREE VERSION:

"This product meets European Union Directives and other country regulations as described in GS-22-008"

The housing will withstand exposure to 260°C peak temperature for 10seconds in a convection reflow oven.

Sn Matte plating on solder tail for Lead Free Versions

Tol.G:±0,1

mat'l. code		surface		tolerance		projection		product family	
-		ISO 1302		ISO 406 ISO 1101		mm		SMARTCARD	
litr		ecn no		dr		date		title	
A		F20307		DLE		2002/04/29		S10	
B		I05-0167		NT		2005/09/23		VXX27789	
C		I06-0078		DTK		2006/06/19			
sheet index		revision sheet		C		1		dwg no	
								sheet 1 of 1	
								size	
								A3	
								type	
								CUSTOMER COPY Drawing	