



Chipsmall Limited consists of a professional team with an average of over 10 year of expertise in the distribution of electronic components. Based in Hongkong, we have already established firm and mutual-benefit business relationships with customers from,Europe,America and south Asia,supplying obsolete and hard-to-find components to meet their specific needs.

With the principle of “Quality Parts,Customers Priority,Honest Operation,and Considerate Service”,our business mainly focus on the distribution of electronic components. Line cards we deal with include Microchip,ALPS,ROHM,Xilinx,Pulse,ON,Everlight and Freescale. Main products comprise IC,Modules,Potentiometer,IC Socket,Relay,Connector.Our parts cover such applications as commercial,industrial, and automotives areas.

We are looking forward to setting up business relationship with you and hope to provide you with the best service and solution. Let us make a better world for our industry!



## Contact us

Tel: +86-755-8981 8866 Fax: +86-755-8427 6832

Email & Skype: info@chipsmall.com Web: www.chipsmall.com

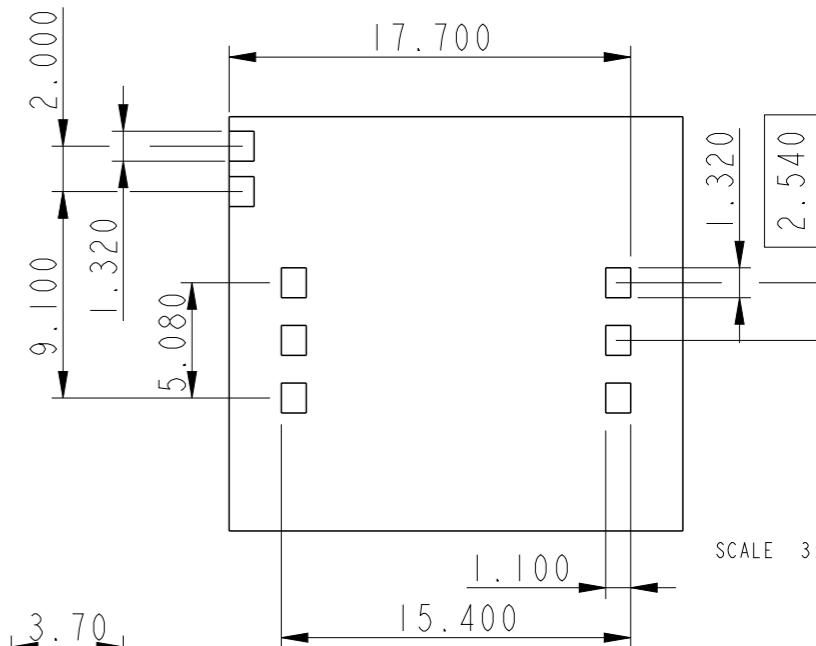
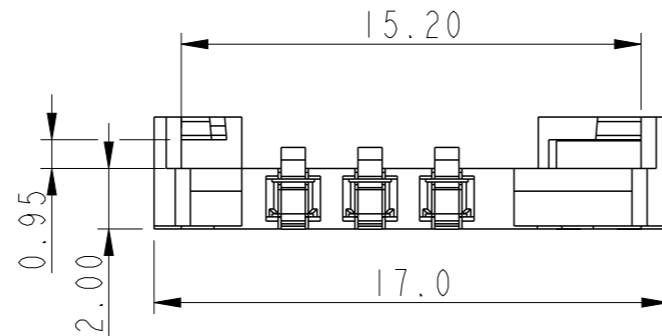
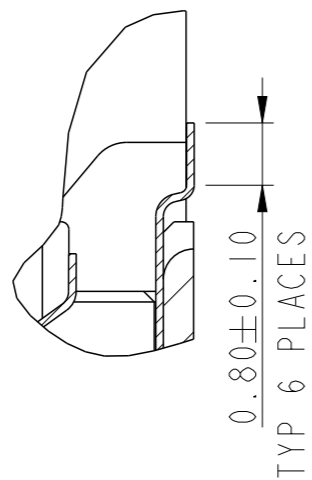
Address: A1208, Overseas Decoration Building, #122 Zhenhua RD., Futian, Shenzhen, China



PART NUMBER

7111SI615A01LF

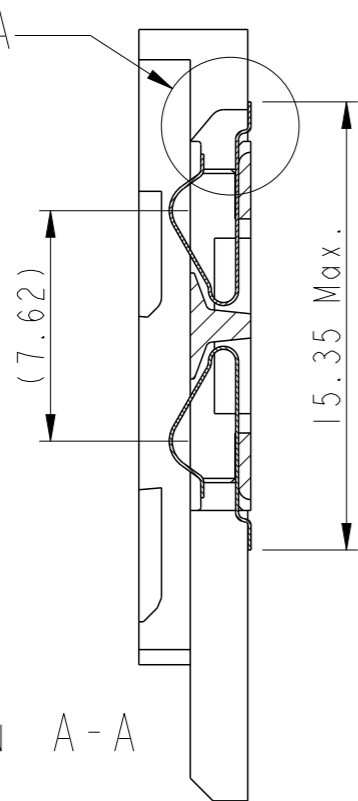
DETAIL A  
SCALE 10:1



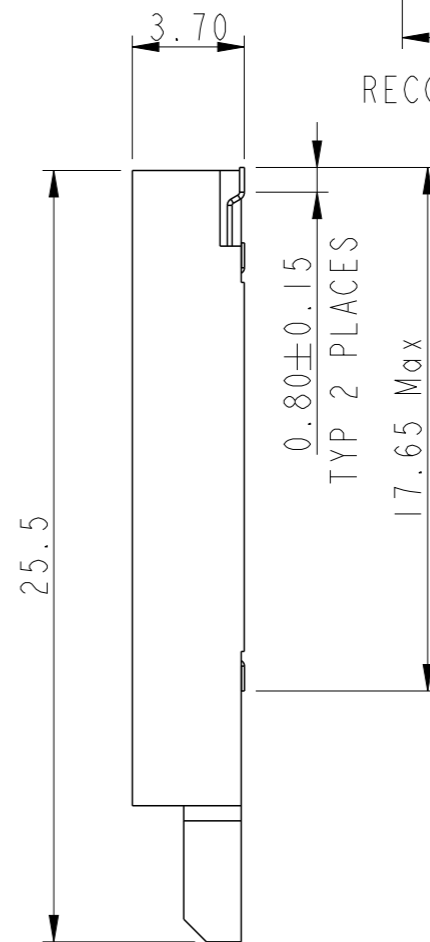
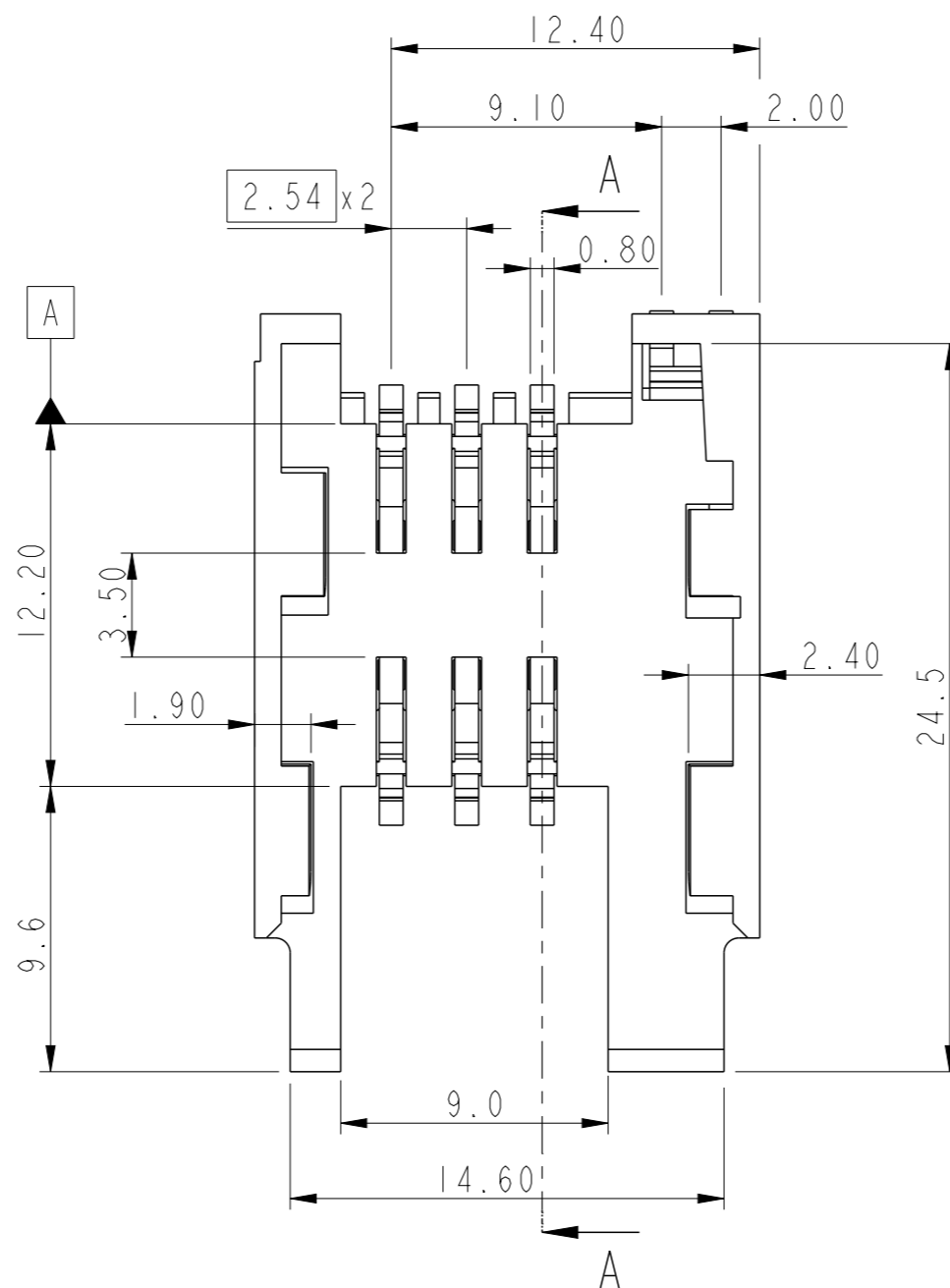
RECOMMENDED PCB LAYOUT

SCALE 3:1

SEE DETAIL A



SECTION A-A



NOTE:

"This product meets European Union Directives and other country regulations as described in GS-47-0004"

The housing will withstand exposure to 260°C peak temperature for 10seconds in a convection reflow oven.

PROCESSING

Ni 2 micrometer  
Gold 2.5 µm/Equivalent PdNi over Ni on contact area  
Output : Matte tin 2.5 µm

spec ref	--	dr	P-Mathew Nebu	2011/05/10	projection	mm	size	A3	scale	4:1
tolerance std	ISO 406 ISO 1101	eng	P-Mathew Nebu	2017/09/07			ecn no	ELX-I-27477-1		
TOLERANCES UNLESS OTHERWISE SPECIFIED		chr	-	-			rel level	Released		
surface	linear	appr	K-Paul Biju	2017/09/09	product family	MOBILE IO	SIM CARD CONNECTOR WITH SWITCH		dwg no	VJW53943
	angular							TYPE SI6	rev	G
ISO 1302	0.X ±0.5 0.XX ±0.25 0.XXX ±0.1 0° ±2°	cat. no.	SEE NOTES		Product - Customer Drw		sheet 1 of 1			