



Chipsmall Limited consists of a professional team with an average of over 10 year of expertise in the distribution of electronic components. Based in Hongkong, we have already established firm and mutual-benefit business relationships with customers from,Europe,America and south Asia,supplying obsolete and hard-to-find components to meet their specific needs.

With the principle of “Quality Parts,Customers Priority,Honest Operation,and Considerate Service”,our business mainly focus on the distribution of electronic components. Line cards we deal with include Microchip,ALPS,ROHM,Xilinx,Pulse,ON,Everlight and Freescale. Main products comprise IC,Modules,Potentiometer,IC Socket,Relay,Connector.Our parts cover such applications as commercial,industrial, and automotives areas.

We are looking forward to setting up business relationship with you and hope to provide you with the best service and solution. Let us make a better world for our industry!



## Contact us

Tel: +86-755-8981 8866 Fax: +86-755-8427 6832

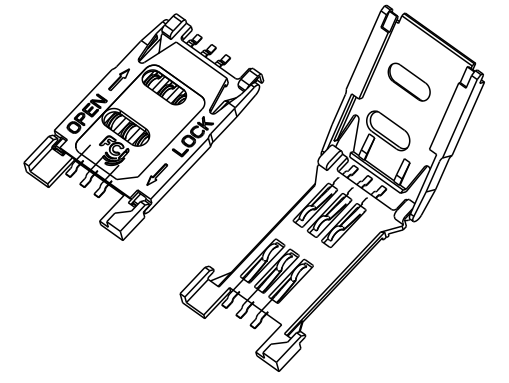
Email & Skype: info@chipsmall.com Web: www.chipsmall.com

Address: A1208, Overseas Decoration Building, #122 Zhenhua RD., Futian, Shenzhen, China

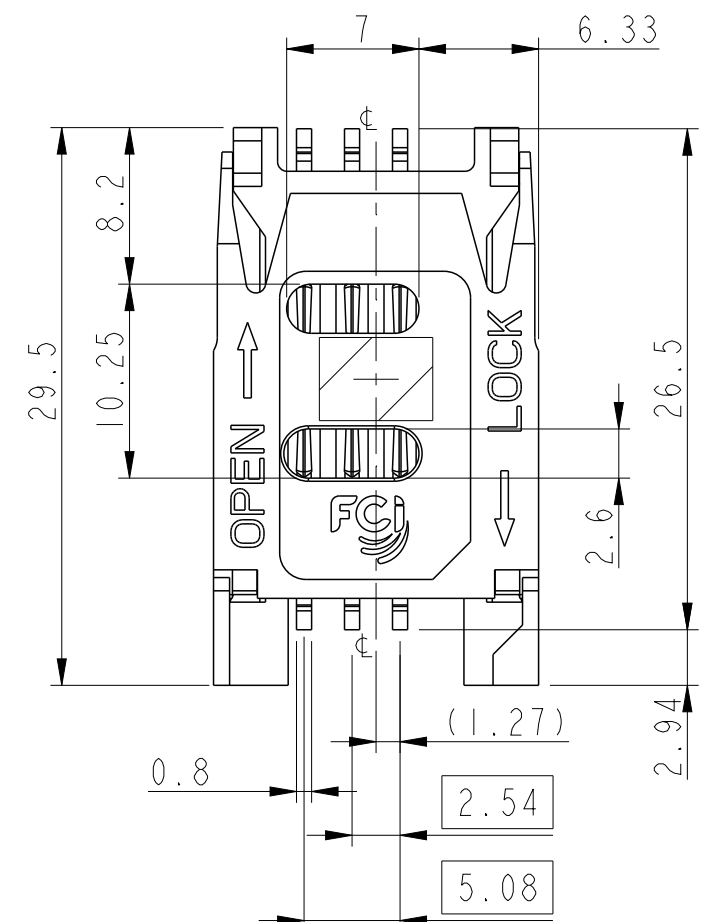
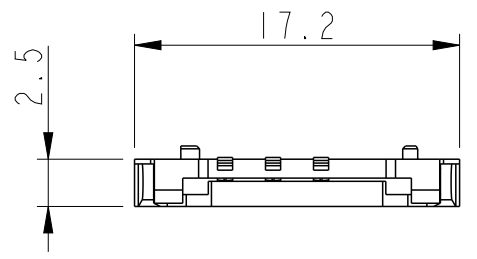
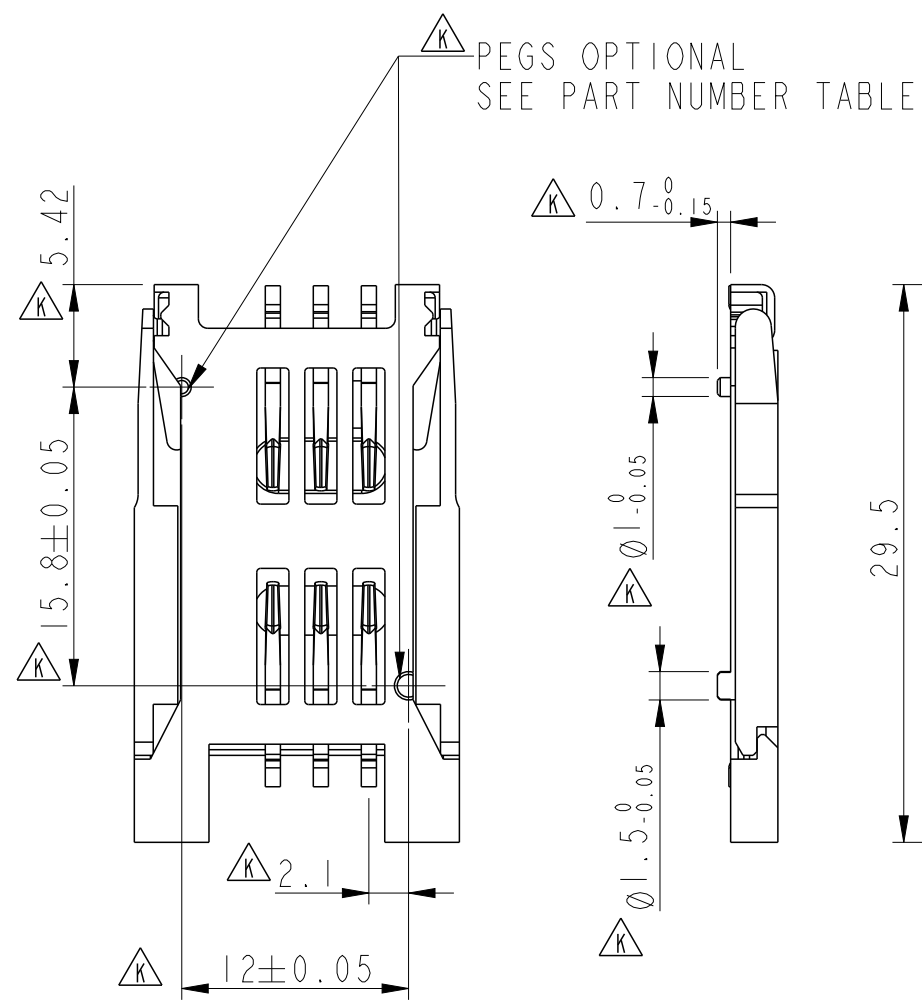




Copyright FCI.



SCALE 1:1



SCALE 5:2

0.1

SEE DETAIL F

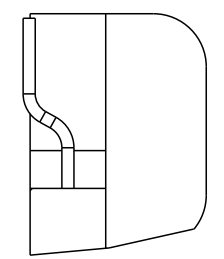
SECTION A-A

SCALE 5:2

SEE NOTE SHEET 2

7.62

1±0.15



DETAIL F  
SCALE 10:1

General Tolerances	
0 to 10mm:	±0.1mm
10 to 25mm:	±0.15mm
25 to 60mm:	±0.2mm
60 and more:	±0.3mm

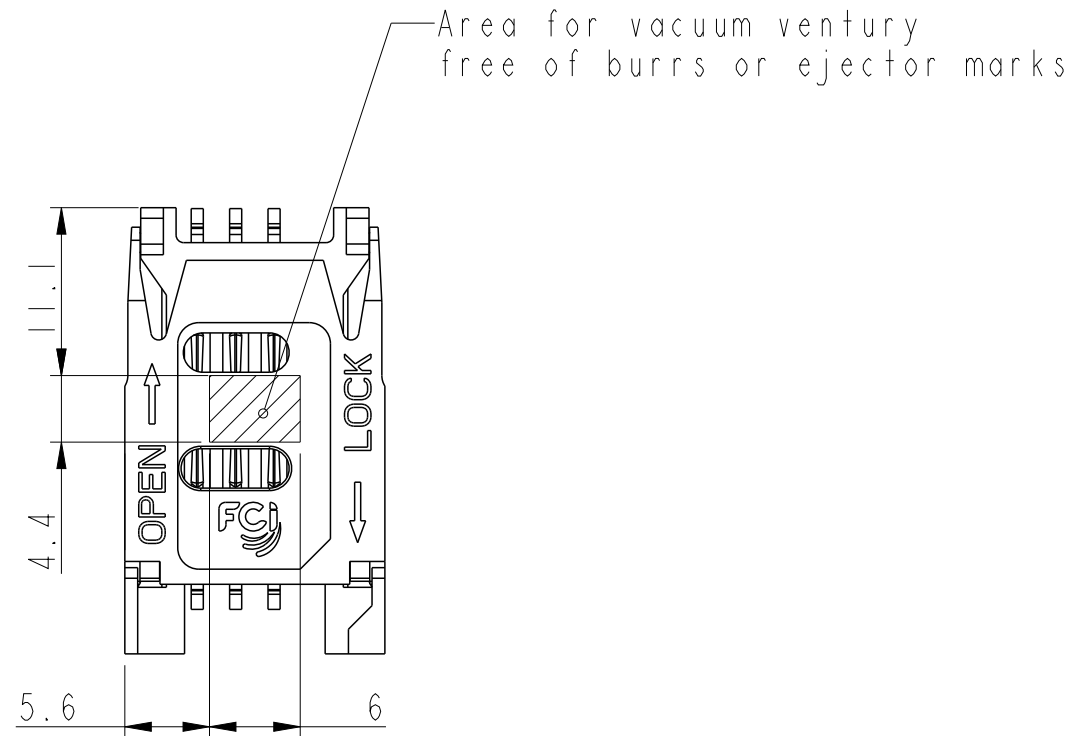
PART NUMBER	DESCRIPTION
7111S2015X02LF	NO PEGS
7112S2015X02LF $\triangleleft$	WITH POSITION PEGS

spec ref	--
tolerance std	ISO 406 ISO 1101
surface	ISO 1302
linear	0.X ± 0.XX ± 0.XXX ±
angular	0° ±°

dr	P-Mathew Nebu	2011/05/09
eng	P-Mathew Nebu	2015/04/10
chr	-	-
appr	K-Paul Biju	2015/04/13

projection	mm	size	A3	scale	5:2
product family	MOBILE I/O	ecn no	ELX-I-20528-1	rel level	Released

title	SIM CARD READER WITH COVER	rev	K
cat. no.	see table	dwg no	VJW54355
Product - Customer Drw	sheet 1 of 2		



**NOTES:**

**A -MECHANICAL PROPERTIES:**

housing material: High Temp. Thermoplastic colour black, rated UL94V0

Contacts material: Copper Alloy

Contacts plating:

Contact area: Au over Ni / Equivalent GXT

Solder area: Matte Tin over Ni

Bare edge allowed.

Durability: 10000 mating cycles

Contacts force: 0.5 N MAX at maximum deflection

**B -ELECTRICAL PROPERTIES:**

Contact resistance: <100mΩ

Insulation resistance: >1000MΩ

Dielectrique withstanding voltage: >=1000Vrms

Current carrying capacity: min 10uA, MAX 1A

Voltage U5: 5V ±0.1V with R=560Ω

**C- ENVIRONMENT:**

Operation temperature range: -40°C to +85°C

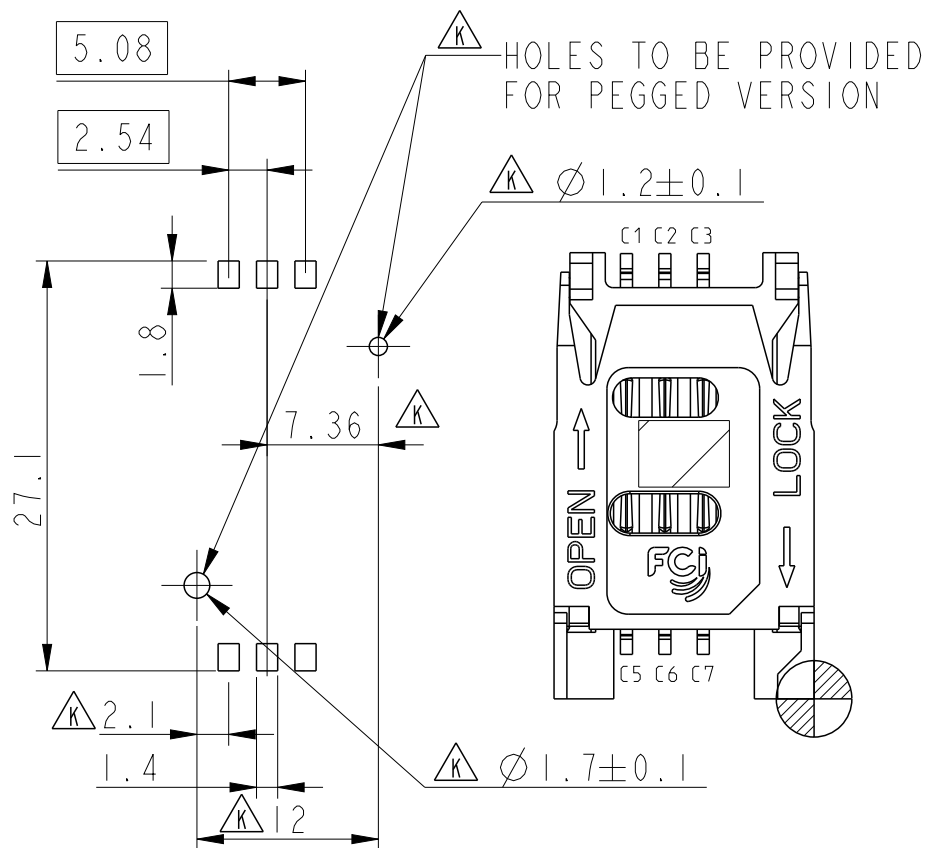
**D -PACKAGING:**

Tape and Reel

**E -APPLICABLE DOCUMENT:**

Standard: card standard ISO 7810 , ISO 7816 , GSM 11.11

**RECOMMENDED PCB LAYOUT**



**LEAD FREE VERSION:**

"This product meets European Union Directives and other country regulations as described in GS-47-0004"

The housing will withstand exposure to 260°C peak temperature for 10seconds in a convection reflow oven.

General Tolerances	
0 to 10mm:	±0.1mm
10 to 25mm:	±0.15mm
25 to 60mm:	±0.2mm
60 and more:	±0.3mm

spec ref	--	dr	P-Mathew Nebu	2011/05/09	projection	mm	size	A3	scale	2:1	
tolerance std	ISO 406 ISO 1101	eng	P-Mathew Nebu	2015/04/10			ecn no	ELX-I-20528-1			
TOLERANCES UNLESS OTHERWISE SPECIFIED		chr	-	-			rel level	Released			
surface	ISO 1302	appr	K-Paul Biju	2015/04/13	product family	MOBILE I/O	dwg no	VJW54355		rev	K
	linear				www.fci.com	cat. no.	see table	Product - Customer Drw	sheet 2 of 2		
	angular										