



Chipsmall Limited consists of a professional team with an average of over 10 year of expertise in the distribution of electronic components. Based in Hongkong, we have already established firm and mutual-benefit business relationships with customers from,Europe,America and south Asia,supplying obsolete and hard-to-find components to meet their specific needs.

With the principle of “Quality Parts,Customers Priority,Honest Operation,and Considerate Service”,our business mainly focus on the distribution of electronic components. Line cards we deal with include Microchip,ALPS,ROHM,Xilinx,Pulse,ON,Everlight and Freescale. Main products comprise IC,Modules,Potentiometer,IC Socket,Relay,Connector.Our parts cover such applications as commercial,industrial, and automotives areas.

We are looking forward to setting up business relationship with you and hope to provide you with the best service and solution. Let us make a better world for our industry!



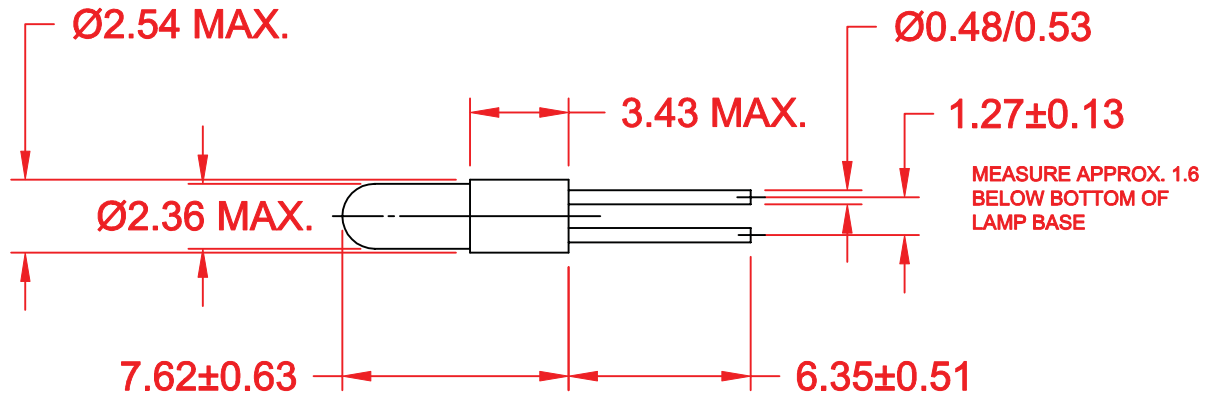
## Contact us

Tel: +86-755-8981 8866 Fax: +86-755-8427 6832

Email & Skype: info@chipsmall.com Web: www.chipsmall.com

Address: A1208, Overseas Decoration Building, #122 Zhenhua RD., Futian, Shenzhen, China





JKL LAMP NUMBER	VOLTS RATED	AMPS ±10%	MSCP ±25%	LUMENS ±25%	AVERAGE LIFE HRS.	FILAMENT TYPE
7112	5.0	.021	.034	0.43	10,000	C-2R
7114	5.0	.060	.050	0.63	100,000	C-2R
7118	5.0	.115	.150	1.89	40,000	C-2R

**NOTES:**

1. GLASS ENVELOPE TO BE TIPLESS AND SEAMLESS.
2. BASE MATERIAL: NYLON OR EQUIVALENT.
3. BASE COLOR: WHITE.
4. PIN MATERIAL: NICKEL WIRE, GOLD PLATED.
5. LAMPS TO BE 100% AGED FOR AN EQUIVALENT TO A MINIMUM OF TEN HOURS AT RATED VOLTAGES.
6. FINAL INSPECTION ON ALL LAMPS TO BE PER: MIL. STD. 105E TO AN AQL OF 2.5.
7. DIMENSIONS NOT PROVIDING TOLERANCES ARE REFERENCE DIMENSIONS ONLY.

<p>THIRD ANGLE PROJECTION</p>	<p>METRIC</p>	<p>DIMENSIONS ARE IN MILLIMETERS</p>	<p><b>JKL COMPONENTS CORPORATION</b></p>			
	<p>TOLERANCE UNLESS OTHERWISE SPECIFIED</p> <p>1 PL +/- 0.2</p> <p>2 PL +/- 0.20</p> <p>ANGLE +/- 0</p>	<p>TITLE</p> <p><b>T-3/4 MICROMINIATURE BI-PIN BASED LAMPS</b></p>				
<p>DRAWN BY</p> <p>L. WENGSTROM</p>	<p>APPV'D BY</p> <p>BW</p>	<p>DATE</p> <p>3/15/00</p>	<p>SIZE</p> <p><b>A</b></p>	<p>FSCM NO.</p> <p><b>55335</b></p>	<p>DRAWING NO.</p> <p><b>BI-PIN T-3/4</b></p>	
<p>RELEASED - CANCEL SM-STDBP-T 3/4, 7810, 7111, BB23, 7113, 7115, 7116, 7119</p>			<p>SCALE</p> <p><b>NONE</b></p>	<p>RELEASED DATE</p> <p>3/15/00</p>	<p>REVISION DATE</p>	<p>REV. NO.</p>
<p>REV. NO.</p>	<p>DESCRIPTION/ECONUMBER</p>	<p>APPV'D DATE</p>	<p>- CAD DRAWING -</p> <p>MANUAL REVISIONS NOT PERMITTED</p>		<p>DATE</p>	<p>SHEET</p> <p>1 OF 1</p>