



Chipsmall Limited consists of a professional team with an average of over 10 year of expertise in the distribution of electronic components. Based in Hongkong, we have already established firm and mutual-benefit business relationships with customers from,Europe,America and south Asia,supplying obsolete and hard-to-find components to meet their specific needs.

With the principle of "Quality Parts,Customers Priority,Honest Operation,and Considerate Service",our business mainly focus on the distribution of electronic components. Line cards we deal with include Microchip,ALPS,ROHM,Xilinx,Pulse,ON,Everlight and Freescale. Main products comprise IC,Modules,Potentiometer,IC Socket,Relay,Connector.Our parts cover such applications as commercial,industrial, and automotives areas.

We are looking forward to setting up business relationship with you and hope to provide you with the best service and solution. Let us make a better world for our industry!



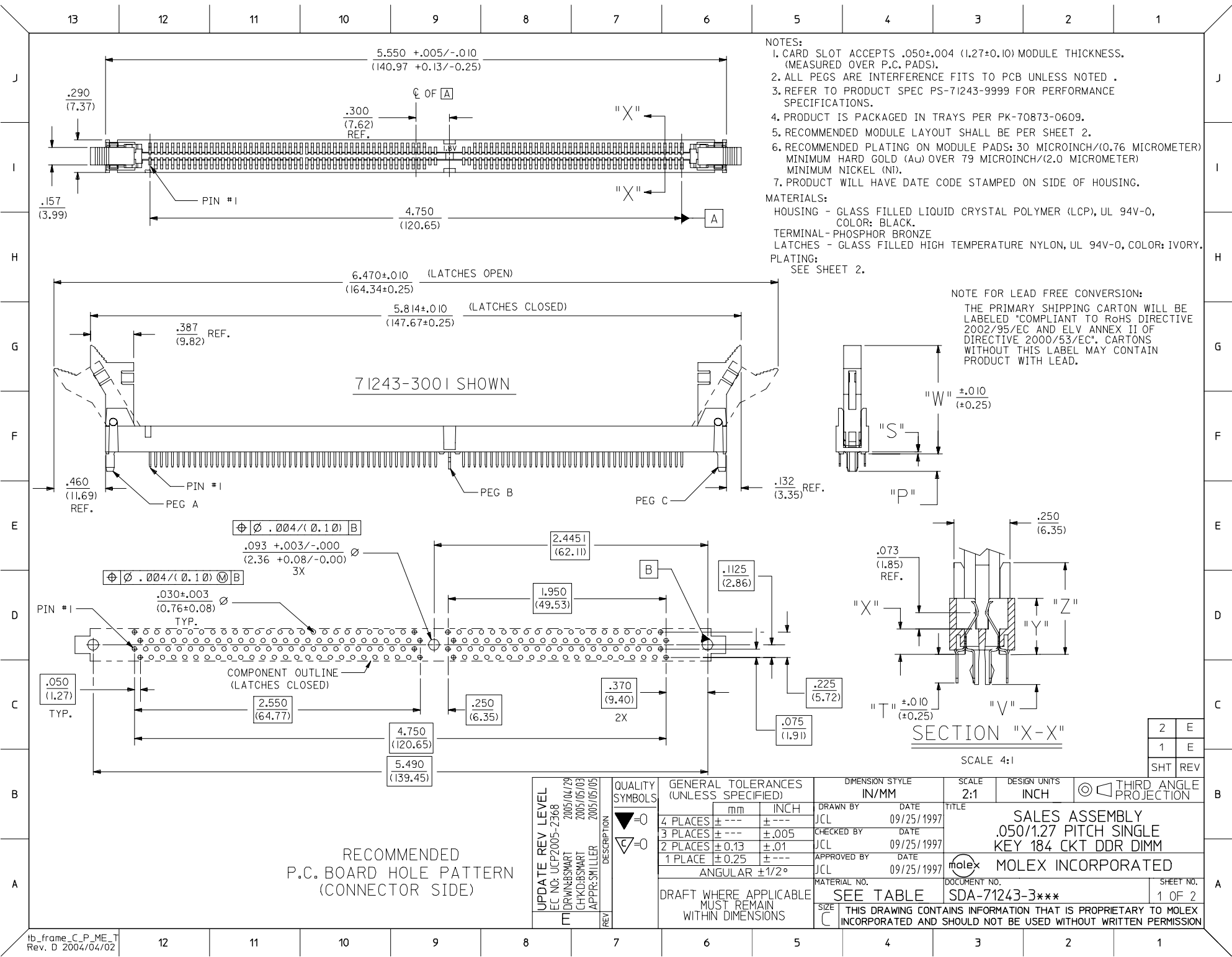
Contact us

Tel: +86-755-8981 8866 Fax: +86-755-8427 6832

Email & Skype: info@chipsmall.com Web: www.chipsmall.com

Address: A1208, Overseas Decoration Building, #122 Zhenhua RD., Futian, Shenzhen, China





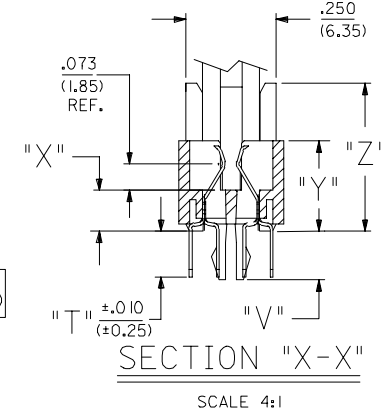
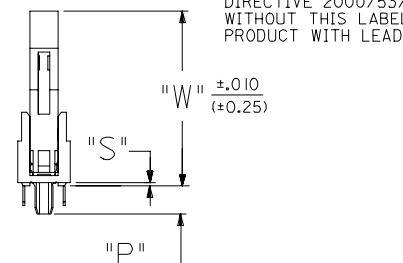
- NOTES:
- CARD SLOT ACCEPTS $.050 \pm .004$ (1.27 ± 0.10) MODULE THICKNESS. (MEASURED OVER P.C. PADS).
 - ALL PEGS ARE INTERFERENCE FITS TO PCB UNLESS NOTED.
 - REFER TO PRODUCT SPEC PS-71243-9999 FOR PERFORMANCE SPECIFICATIONS.
 - PRODUCT IS PACKAGED IN TRAYS PER PK-70873-0609.
 - RECOMMENDED MODULE LAYOUT SHALL BE PER SHEET 2.
 - RECOMMENDED PLATING ON MODULE PADS: 30 MICROINCH/(0.76 MICROMETER) MINIMUM HARD GOLD (Au) OVER 79 MICROINCH/(2.0 MICROMETER) MINIMUM NICKEL (Ni).
 - PRODUCT WILL HAVE DATE CODE STAMPED ON SIDE OF HOUSING.

MATERIALS:

- HOUSING - GLASS FILLED LIQUID CRYSTAL POLYMER (LCP), UL 94V-0, COLOR: BLACK.
- TERMINAL - PHOSPHOR BRONZE
- LATCHES - GLASS FILLED HIGH TEMPERATURE NYLON, UL 94V-0, COLOR: IVORY.

PLATING:
SEE SHEET 2.

NOTE FOR LEAD FREE CONVERSION:
THE PRIMARY SHIPPING CARTON WILL BE LABELED "COMPLIANT TO RoHS DIRECTIVE 2002/95/EC AND ELV ANNEX II OF DIRECTIVE 2000/53/EC". CARTONS WITHOUT THIS LABEL MAY CONTAIN PRODUCT WITH LEAD.

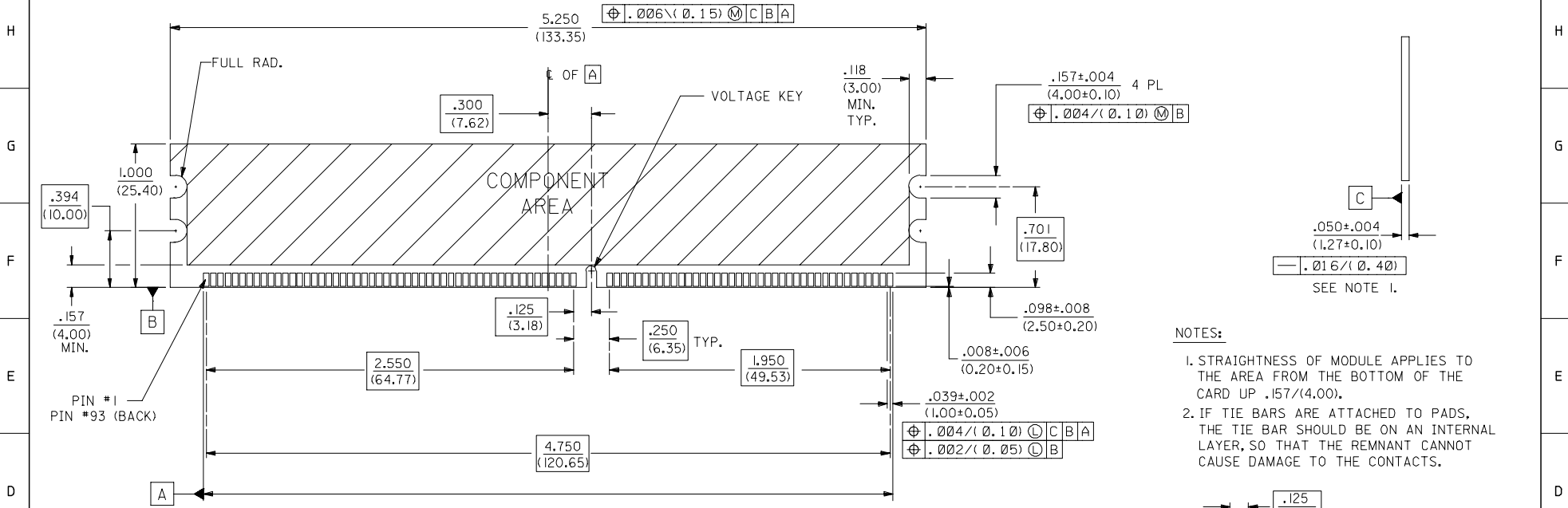


2	E
1	E
SHT	REV

UPDATE REV LEVEL EC NO: UCP2005-2368 M DRWNSWART 2005/04/29 CHKDRSMART 2005/05/03 APPR:SMILLER 2005/05/05 REV DESCRIPTION	QUALITY SYMBOLS 	GENERAL TOLERANCES (UNLESS SPECIFIED) <table border="1"> <tr> <th></th> <th>mm</th> <th>INCH</th> </tr> <tr> <td>4 PLACES</td> <td>± .005</td> <td>± .0005</td> </tr> <tr> <td>3 PLACES</td> <td>± .003</td> <td>± .0003</td> </tr> <tr> <td>2 PLACES</td> <td>± 0.13</td> <td>± .01</td> </tr> <tr> <td>1 PLACE</td> <td>± 0.25</td> <td>± .01</td> </tr> </table>		mm	INCH	4 PLACES	± .005	± .0005	3 PLACES	± .003	± .0003	2 PLACES	± 0.13	± .01	1 PLACE	± 0.25	± .01	DIMENSION STYLE IN/MM	SCALE 2:1	DESIGN UNITS INCH	THIRD ANGLE PROJECTION
		mm	INCH																		
4 PLACES	± .005	± .0005																			
3 PLACES	± .003	± .0003																			
2 PLACES	± 0.13	± .01																			
1 PLACE	± 0.25	± .01																			
DRAFT WHERE APPLICABLE MUST REMAIN WITHIN DIMENSIONS	DRAWN BY JCL	DATE 09/25/1997	CHECKED BY JCL	DATE 09/25/1997	APPROVED BY JCL	DATE 09/25/1997															
MATERIAL NO. SEE TABLE	DOCUMENT NO. SDA-71243-3***	SHEET NO. 1 OF 2	MOLEX INCORPORATED																		

RECOMMENDED
P.C. BOARD HOLE PATTERN
(CONNECTOR SIDE)

	13	12	11	10	9	8	7	6	5	4	3	2	1			
J	PART NUMBER	DESCRIPTION	VOLTAGE KEY	PEG A	PEG B	PEG C	DIM. "P"	DIM. "S"	DIM. "T"	DIM. "V"	DIM. "W"	DIM. "X"	DIM. "Y"	DIM. "Z"	LATCH COLOR	TERMINAL TYPE
J	71243-3001	1.8 VOLT VDDQ	CENTER	PLASTIC PEG	METAL FORKLOCK	PLASTIC PEG	.155 (3.94)	.020 (0.51)	.127 (3.23)	.135 (3.43)	.970 (24.64)	.113 (2.87)	.250 (6.35)	.410 (10.41)	WHITE	NOT LUBRICATED
	71243-3002	2.5 VOLT VDDQ	OFFSET LEFT	PLASTIC PEG	METAL FORKLOCK	PLASTIC PEG	.155 (3.94)	.020 (0.51)	.127 (3.23)	.135 (3.43)	.970 (24.64)	.113 (2.87)	.250 (6.35)	.410 (10.41)	WHITE	NOT LUBRICATED
I	71243-3004	1.8 VOLT VDDQ	CENTER	PLASTIC PEG	METAL FORKLOCK	PLASTIC PEG	.155 (3.94)	.020 (0.51)	.127 (3.23)	.135 (3.43)	.970 (24.64)	.113 (2.87)	.250 (6.35)	.410 (10.41)	WHITE	LUBRICATED
I	71243-3005	2.5 VOLT VDDQ	OFFSET LEFT	PLASTIC PEG	METAL FORKLOCK	PLASTIC PEG	.155 (3.94)	.020 (0.51)	.127 (3.23)	.135 (3.43)	.970 (24.64)	.113 (2.87)	.250 (6.35)	.410 (10.41)	WHITE	LUBRICATED
	71243-3007	2.5 VOLT VDDQ	OFFSET LEFT	PLASTIC PEG	NONE	PLASTIC PEG	.155 (3.94)	.020 (0.51)	.127 (3.23)		.970 (24.64)	.113 (2.87)	.250 (6.35)	.410 (10.41)	WHITE	NOT LUBRICATED
	71243-3009	1.8 VOLT VDDQ	CENTER	PLASTIC PEG	METAL FORKLOCK	PLASTIC PEG	.155 (3.94)	.020 (0.51)	.127 (3.23)	.135 (3.43)	.970 (24.64)	.113 (2.87)	.250 (6.35)	.410 (10.41)	BLACK	NOT LUBRICATED



RECOMMENDED MODULE LAYOUT
184 CKT 3.3V SHOWN

- NOTES:
1. STRAIGHTNESS OF MODULE APPLIES TO THE AREA FROM THE BOTTOM OF THE CARD UP .157/(4.00).
 2. IF TIE BARS ARE ATTACHED TO PADS, THE TIE BAR SHOULD BE ON AN INTERNAL LAYER, SO THAT THE REMNANT CANNOT CAUSE DAMAGE TO THE CONTACTS.

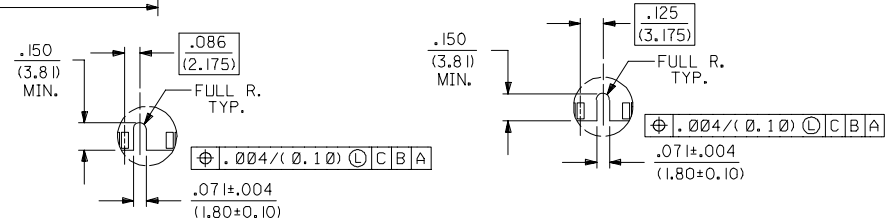
PLATING:

CONTACT AREA NOT LUBRICATED:
GOLD (Au) FLASH: THICKNESS=2-10 MICROINCH/(0.05-0.25 MICRO METER),
OVER PALLADIUM-NICKEL (Pd-NI): THICKNESS=30 MICROINCH/(0.76 MICROMETER) MINIMUM.

CONTACT AREA LUBRICATED:
MOLEX EBI LUBRICANT APPLIED OVER GOLD (Au) FLASH:
THICKNESS=2-10 MICROINCH/(0.05-0.25 MICRO METER),
OVER PALLADIUM-NICKEL (Pd-NI): THICKNESS=30 MICROINCH/(0.76 MICROMETER) MINIMUM.

SOLDER TAILS:
TIN (Sn): THICKNESS=150 MICROINCH/(3.81 MICROMETER) MINIMUM.

UNDERPLATE:
NICKEL (Ni) OVER ENTIRE TERMINAL.



ADD 71243-3009 EC NO: UCP2005-2368 DRWNSMART 2005/04/29 CHKDBSMART 2005/05/03 APPR:SMILLER 2005/05/05 REV DESCRIPTION	QUALITY SYMBOLS	GENERAL TOLERANCES (UNLESS SPECIFIED)	DIMENSION STYLE	SCALE	DESIGN UNITS	THIRD ANGLE PROJECTION
	$\nabla \ominus$ $\nabla \ominus$	mm INCH 4 PLACES ± --- ± --- 3 PLACES ± --- ± .005 2 PLACES ± 0.13 ± .01 1 PLACE ± 0.25 ± --- ANGULAR ± 1/2°	IN/MM DRAWN BY DATE JCL 09/25/1997 CHECKED BY DATE JCL 09/25/1997 APPROVED BY DATE JCL 09/25/1997	2:1	INCH	MOLEX MOLEX INCORPORATED
	DRAFT WHERE APPLICABLE MUST REMAIN WITHIN DIMENSIONS	MATERIAL NO.	DOCUMENT NO.	SHEET NO.		
		SEE TABLE	SDA-71243-3***	2 OF 2		
		THIS DRAWING CONTAINS INFORMATION THAT IS PROPRIETARY TO MOLEX INCORPORATED AND SHOULD NOT BE USED WITHOUT WRITTEN PERMISSION				