



Chipsmall Limited consists of a professional team with an average of over 10 year of expertise in the distribution of electronic components. Based in Hongkong, we have already established firm and mutual-benefit business relationships with customers from,Europe,America and south Asia,supplying obsolete and hard-to-find components to meet their specific needs.

With the principle of “Quality Parts,Customers Priority,Honest Operation,and Considerate Service”,our business mainly focus on the distribution of electronic components. Line cards we deal with include Microchip,ALPS,ROHM,Xilinx,Pulse,ON,Everlight and Freescale. Main products comprise IC,Modules,Potentiometer,IC Socket,Relay,Connector.Our parts cover such applications as commercial,industrial, and automotives areas.

We are looking forward to setting up business relationship with you and hope to provide you with the best service and solution. Let us make a better world for our industry!



## Contact us

Tel: +86-755-8981 8866 Fax: +86-755-8427 6832

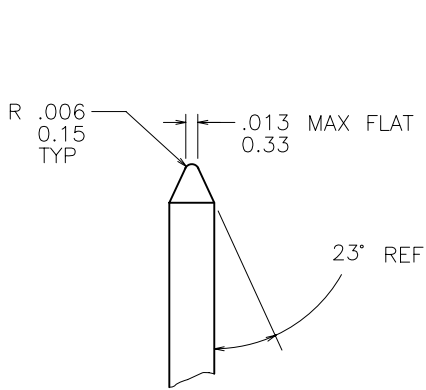
Email & Skype: info@chipsmall.com Web: www.chipsmall.com

Address: A1208, Overseas Decoration Building, #122 Zhenhua RD., Futian, Shenzhen, China

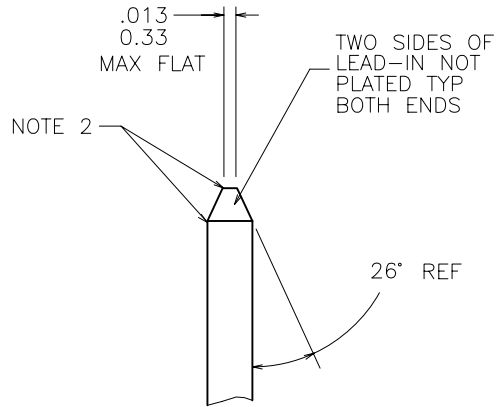




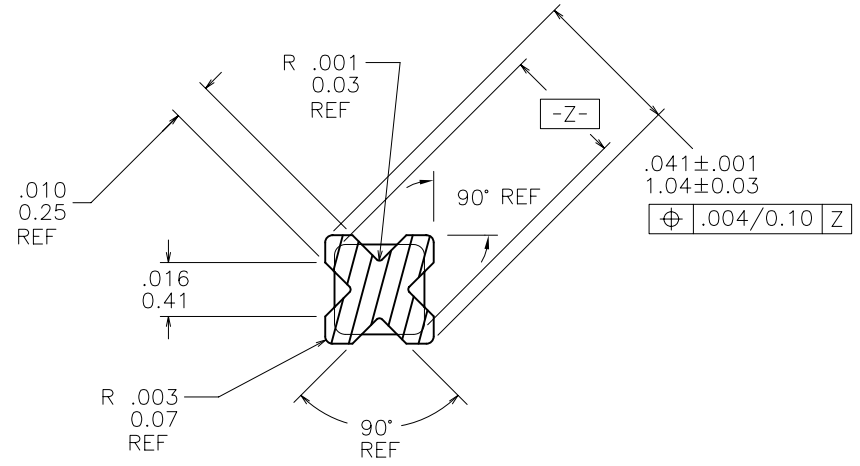
PRODUCT NUMBER  
SEE TABLE



TRIM  
DETAIL C  
TYP BOTH ENDS



SWEDGE  
DETAIL D  
TYP BOTH ENDS



SECTION E-E  
SCALE 2:1  
(FERRULE REMOVED)

mat'l. code		surface		tolerance		projection		product family	
SEE NOTE 1		ASME Y14.5		ASME Y14.5		INCH/MM		PIN PRODUCTS	
ltr	ec'n no	dr	date	tolerances unless otherwise specified		INCH/MM		title	
F				angles	XX+01/XX+3	INCH/MM		BERGPIN® .200"[5.08]cc	
				0'±2'	XXX+005/XXX+13	scale 1:1		.041"[1.04] DIA., .110"[2.79] LONG STAR WITH SOLDER WASHER	
					XXXX+0020/XXX+051			dwg no	
		dr	M. FETROW			FCI		sheet 2 of 3	
		enr	L. FYE					71258	
		chr	L. FYE					A4	
		appd	L. FYE					type	
								CUSTOMER Drawing	
sheet index	revision sheet								



PRODUCT NUMBER	CONTACT AREA DIM A	TERMINATION AREA DIM B	OVERALL LENGTH DIM L	DIM H FOR .093/2.36 THK BOARD	DIM H FOR .125/3.18 THK BOARD
71258-010	.140/3.56	.100/2.54	.350/8.89	.318/8.08	.302/7.67
71258-020	.240/6.10	.040/1.02	.390/9.91	.148/3.76	.132/3.35
71258-030	.270/6.86	.040/1.02	.420/10.67	.248/6.30	.232/5.89
71258-040	.290/7.37	.040/1.02	.440/11.18	.278/7.06	.262/6.66
71258-050	.310/7.87	.040/1.02	.460/11.68	.298/7.57	.282/7.16
71258-060	.310/7.87	.090/2.29	.510/12.95	.318/8.08	.302/7.67
71258-070	.310/7.87	.120/3.05	.540/13.72	.318/8.08	.302/7.67
71258-080	.310/7.87	.170/4.32	.590/14.99	.318/8.08	.302/7.67
71258-090	.310/7.87	.270/6.86	.690/17.53	.318/8.08	.302/7.67
71258-100	.330/8.38	.040/1.02	.480/12.19	.338/8.59	.322/8.18
71258-110	.360/9.14	.040/1.02	.510/12.95	.368/9.35	.352/8.94
71258-120	.360/9.14	.310/7.87	.780/19.81	.368/9.35	.352/8.94
71258-130	.390/9.91	.040/1.02	.540/13.72	.398/10.11	.382/9.70
71258-140	.430/10.92	.040/1.02	.580/14.73	.438/11.25	.322/8.18
71258-150	.450/11.43	.040/1.02	.600/15.24	.458/11.63	.442/11.23
71258-160	.470/11.94	.460/11.68	1.040/26.42	.478/12.14	.462/11.74
71258-170	.485/12.32	.105/2.67	.700/17.78	.493/12.52	.477/12.12
71258-180	.567/14.40	.456/11.58	.933/23.70	.575/14.61	.559/14.20
71258-190	.585/14.86	.105/2.67	.800/20.32	.593/15.06	.577/14.60
71258-200	.590/14.99	.040/1.02	.740/18.80	.598/15.19	.582/14.78
71258-210	.705/17.91	.040/1.02	.855/21.72	.713/18.11	.697/17.70

NOTES:

- ① PIN MAT'L:  
3/4 HARD PHOS BRONZE  
PLATING:  
30μ" [0.76μ] MIN Au OVER 50μ" [1.27μ] MIN Ni.
- ② BURNISH MARKS ON PIN PERMITTED.  
BURR: .003 [0.08] MAX, BULGE: .0005 [0.013] MAX TYP.
3. SEE PRODUCT SPECIFICATION BUS-12-064 FOR P.C. BOARD HOLE DIAMETER AND P.C. BOARD HOLE PLATING INFORMATION.
- ④ FOR MANUFACTURING PURPOSES ONLY.
- ⑤ DOUBLE ENDED PINS AS MARKED MUST MEET SPECS IN VIEWS C AND D ON BOTH ENDS. OTHERS TO HAVE .016 [0.41] MAX DIM ON BOTTOM END OF PIN.
- ⑥ SOLDER MAY BULGE IN THIS AREA BUT WILL NOT TOUCH FERRULE.  
SOLDER VOLUME: 82.5 MIN PER PIN  
(.068 X .074 X .021 ) BEFORE FORMING.
7. "A" DIM. IS TO FEATURE ON PIN.  
"H" DIM. IS ABOVE BOARD.  
"B" DIM. IS TO FEATURE ON PIN.

mat'l. code SEE NOTE 1		surface ASME Y14.5		tolerance ASME Y14.5		projection 		product family PIN PRODUCTS	
ltr	ecn no	dr	date	tolerances unless otherwise specified				title BERGPIN® .200"[5.08]cc .041"[1.04] DIA., .110"[2.79] LONG STAR WITH SOLDER WASHER	
F				angles	XX*.01/X*.3 XXX*.005/XX*.13	INCH/MM		dwg no	
				0"±2"	XXXX*.0020/XXX*.051	scale 1:1		sheet 3 of 3 size	
		dr	M. FETROW		1995-08-17			71258	
		enr	L. FYE		1995-08-17			A4	
		chr	L. FYE		1995-08-17			type	
		appd	L. FYE		1995-08-17			CUSTOMER Drawing	
sheet index	revision sheet								