



Chipsmall Limited consists of a professional team with an average of over 10 year of expertise in the distribution of electronic components. Based in Hongkong, we have already established firm and mutual-benefit business relationships with customers from,Europe,America and south Asia,supplying obsolete and hard-to-find components to meet their specific needs.

With the principle of “Quality Parts,Customers Priority,Honest Operation,and Considerate Service”,our business mainly focus on the distribution of electronic components. Line cards we deal with include Microchip,ALPS,ROHM,Xilinx,Pulse,ON,Everlight and Freescale. Main products comprise IC,Modules,Potentiometer,IC Socket,Relay,Connector.Our parts cover such applications as commercial,industrial, and automotives areas.

We are looking forward to setting up business relationship with you and hope to provide you with the best service and solution. Let us make a better world for our industry!



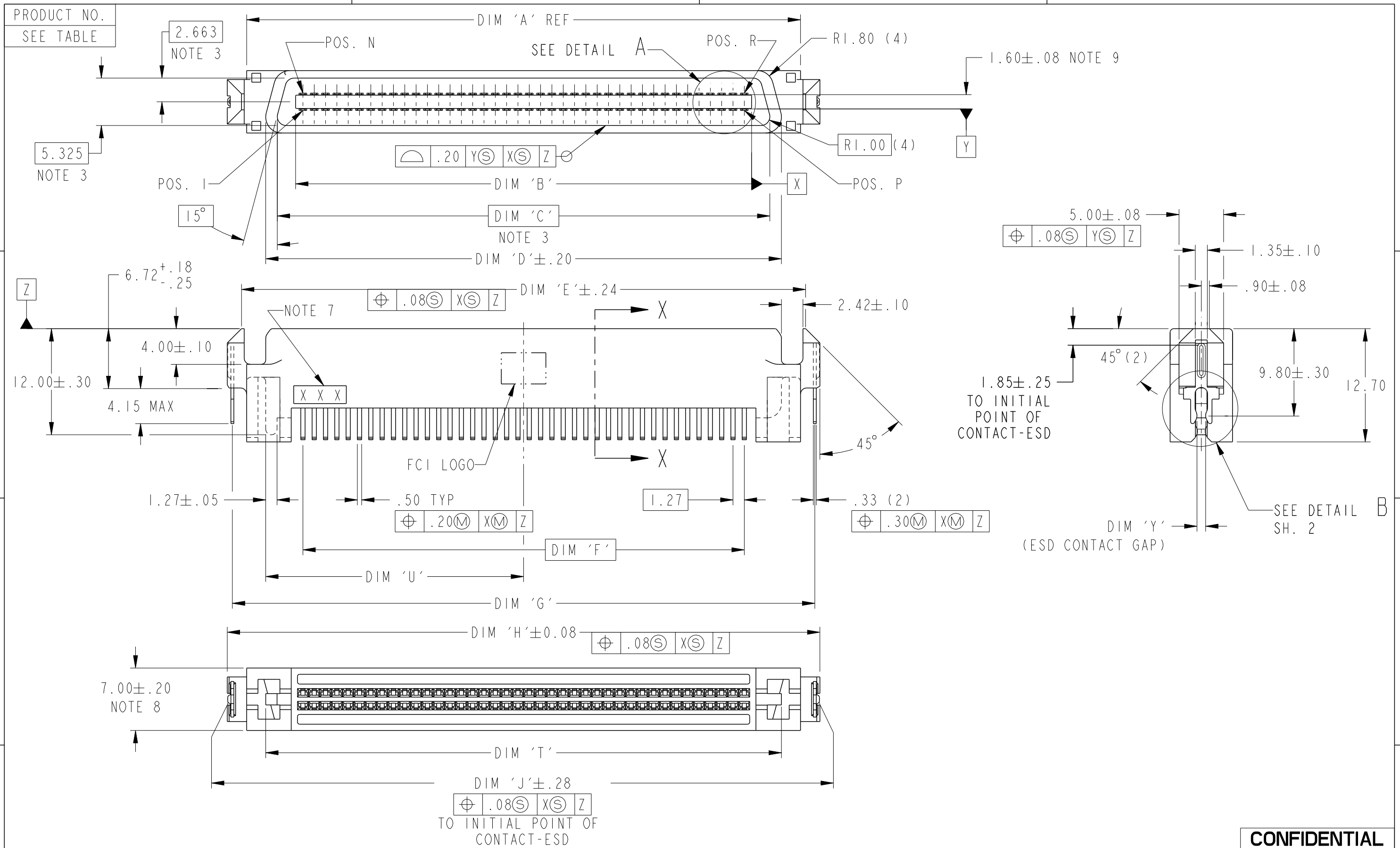
## Contact us

Tel: +86-755-8981 8866 Fax: +86-755-8427 6832

Email & Skype: info@chipsmall.com Web: www.chipsmall.com

Address: A1208, Overseas Decoration Building, #122 Zhenhua RD., Futian, Shenzhen, China



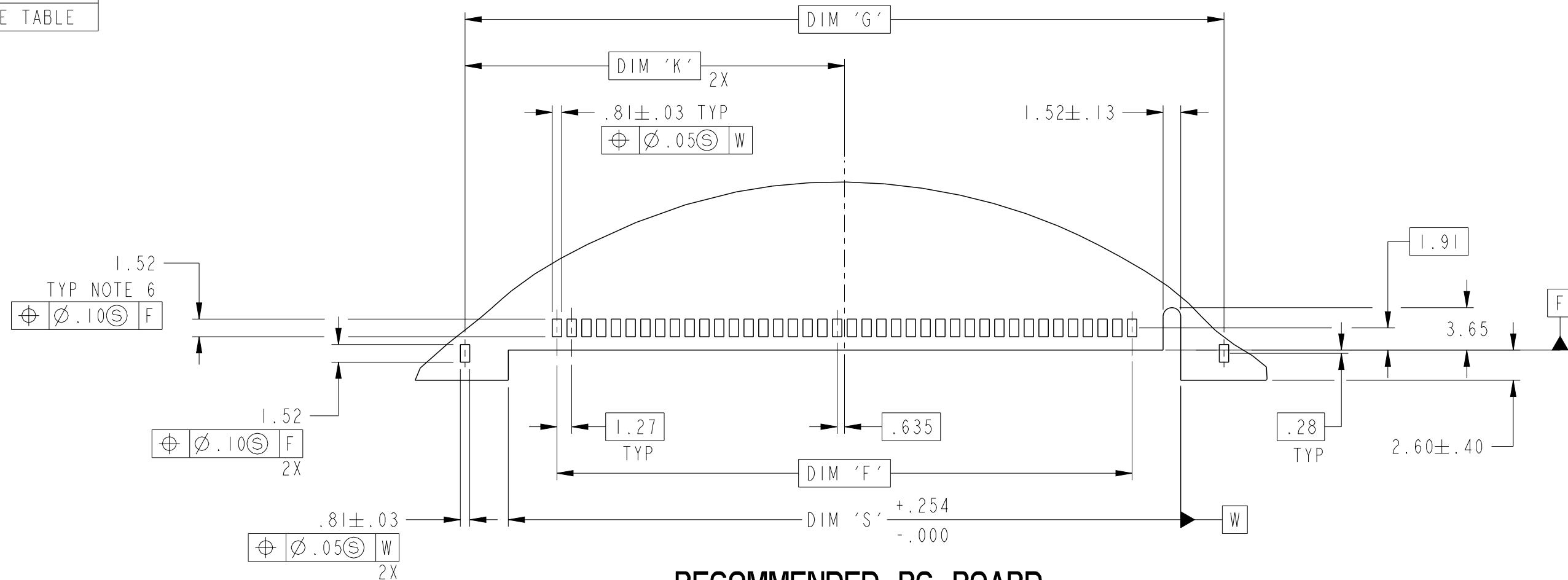


Copyright FCI.

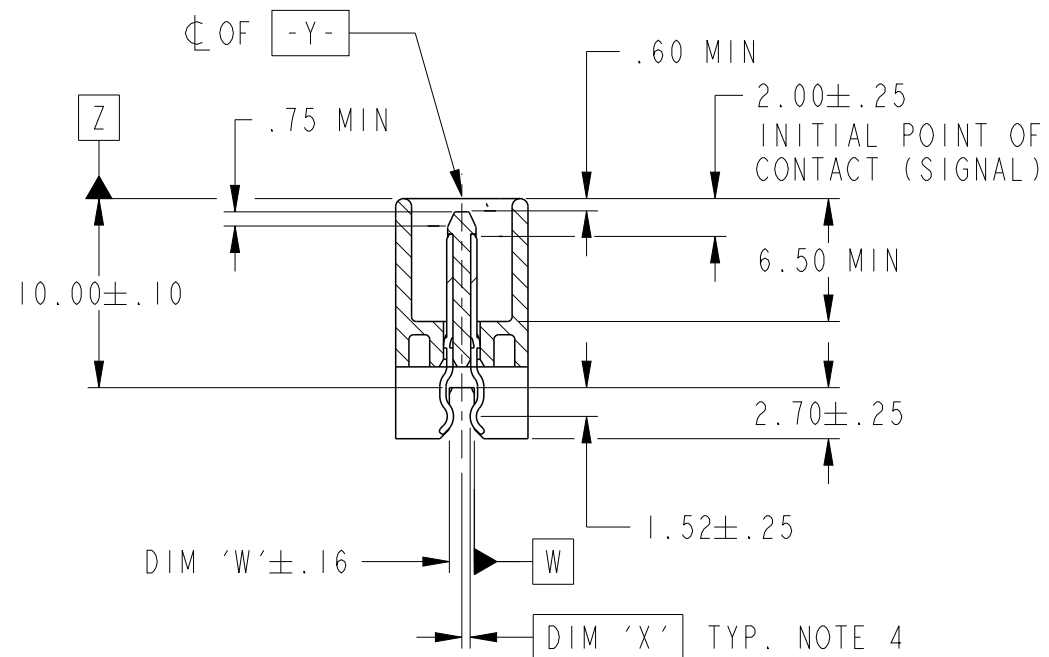
**CONFIDENTIAL**

spec ref	-	dr	Louis Ng	2011/05/11	projection	MM	size	A3	scale	5:2	
tolerance std	ISO 406 ISO 1101	eng	Guat-Lian Loo	2012/10/10			ecn no	ELX-S-005680-1			
TOLERANCES UNLESS OTHERWISE SPECIFIED		chr	-	-			rel level	Released			
surface	✓	appr	Chen-Hong Tan	2012/10/10	product family	SCA-2	rel level	Released			
ISO 1302	linear	0.X	±.3		SCA-2 PLUG CONNECTOR		dwg no	71292		rev	U
		0.XX	±.13		STRADDLE MOUNT						
	angular	0°	±2°		cat. no.	-		Product - Customer Drw		sheet 1 of 4	

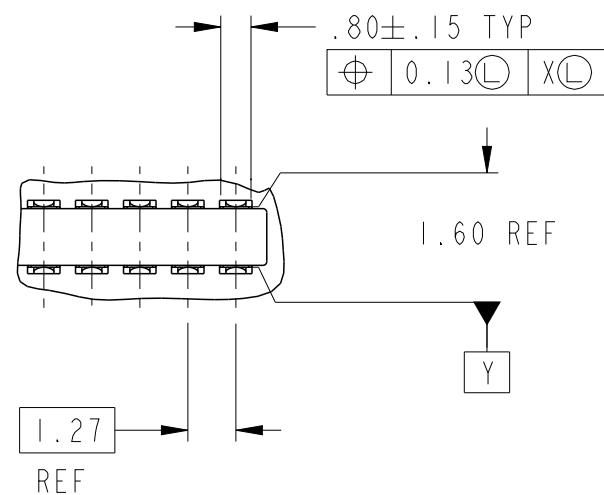
PRODUCT NO.  
SEE TABLE



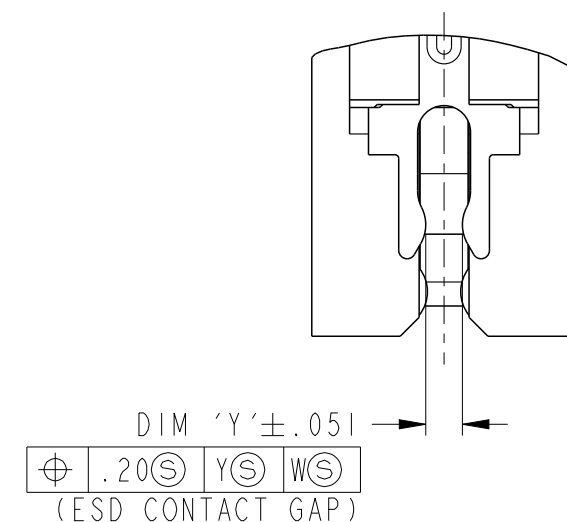
**RECOMMENDED PC BOARD MOUNTING DIMENSIONS**



SECTION X-X  
SCALE 5:2



DETAIL A  
SCALE 5:1



DETAIL B  
SCALE 5:1

**CONFIDENTIAL**

spec ref	-	dr	Louis Ng	2011/05/11	projection	MM	size	A3	scale	5:2	
tolerance std	ISO 406 ISO 1101	eng	Guat-Lian Loo	2012/10/10			ecn no	ELX-S-005680-1	rel level	Released	
TOLERANCES UNLESS OTHERWISE SPECIFIED		chr	-	appr							Chen-Hong Tan
surface	ISO 1302	linear	0.X	±.3				dwg no	71292	rev	U
		linear	0.XX	±.13	SCA-2 PLUG CONNECTOR STRADDLE MOUNT						
		linear	0.XXX	±.051	www.fci.com	cat. no.	-	Product - Customer Drw	sheet 2 of 4		
		angular	0°	±2°							



PRODUCT NO.	NO. POS.	RECOMMENDED PCB THICKNESS	DIM A REF	2										3			4					PLATING	
				DIM B	DIM C	DIM D	DIM E	DIM F	DIM G	DIM H	DIM J	DIM K	POS. N	POS. P	POS. R	DIM S	DIM T	DIM U	DIM V	DIM W	DIM X		DIM Y
71292-001	80	1.19	62.15	51.17	55.27	57.87	63.30	49.53	65.36	66.50	66.40	32.68	41	40	80	57.91	57.82	28.88	1.32	1.30	0.44	0.97	NOTE 2
-001S																							NOTE 10
-101S																							NOTE 10
71292-002	40	1.19	36.75	25.77	29.87	32.47	37.90	24.13	39.95	41.10	41.00	19.98	21	20	40	32.52	32.41	16.20	1.32	1.30	0.44	0.97	NOTE 2
-002S																							NOTE 10
-102S																							NOTE 10
71292-003S	80	1.57	62.15	51.17	55.27	57.87	63.30	49.53	65.36	66.50	66.40	32.68	41	40	80	57.91	57.82	28.88	1.83	1.83	0.72	1.52	NOTE 2
-103S																							NOTE 10
71292-004S	40	1.57	36.75	25.77	29.87	32.47	37.90	24.13	39.95	41.10	41.00	19.98	21	20	40	32.52	32.41	16.20	1.83	1.83	0.72	1.52	NOTE 2
-104S																							NOTE 10



NOTES:

1. HOUSING : LCP, UL94V-0 RATED, COLOR: BLACK  
 CONTACTS: PHOSPHOR-BRONZE  
 ESD CONTACT: PHOSPHOR-BRONZE

2. PLATING:  
 CONTACTS: 0.76µm (30µ") MIN GXT IN CONTACT AREA,  
 2.54µm (100µ") MIN TIN-LEAD ON P.C. BOARD LEG,  
 1.27µm (50µ") MIN NICKEL UNDERPLATE OVER ENTIRE  
 TERMINAL.  
 ESD CONTACT: 2.54µm (100µ") MIN TIN-LEAD  
 PLATING W/1.27µm (50µ") NICKEL UNDERPLATE.

③ MEASURED AT THE FLOOR OF THE CAVITY MEASURED  
 6mm FROM DATUM -Z-

④ APPLIES TO ALL SURFACES OF CONTACT TAILS.

⑤ MAXIMUM BOARD THICKNESS THAT CONNECTOR CAN  
 ACCOMODATE IS DEFINED BY DIM 'V'.

⑥ THESE DIMENSIONS RESULT IN THE CONTACT RESTING  
 IN CENTER OF PAD WIDTH. THESE DIMENSIONS ARE  
 SUBJECT TO CHANGE DEPENDING ON CUSTOMER'S  
 MANUFACTURING PREFERENCES IN PROCESS SOLDER  
 PLACEMENT AND REFLOW.

⑦ DATE CODE IN THIS AREA.

⑧ MEASUREMENT MADE AT CENTER OF PART, MAY BE  
 AS LOW AS 6.55. DESIGN TO BE MADE TO ACHIEVE  
 THE NOMINAL DIMENSION ACROSS THE ENTIRE PART.

⑨ DISTANCE MEASURED ACROSS CONTACT MATING SURFACES  
 ALONG EFFECTIVE MATING AREA AND CONTACT MUST BE  
 ABOVE PLASTIC ALONG EFFECTIVE MATING AREA.

10. PLATING:  
 CONTACTS: 0.76µm (30µ") MIN GOLD IN CONTACT AREA,  
 2.54µm (100µ") MIN TIN-LEAD ON P.C. BOARD LEG,  
 1.27µm (50µ") MIN NICKEL UNDERPLATE OVER ENTIRE  
 TERMINAL.  
 ESD CONTACT: 2.54µm (100µ") MIN TIN-LEAD  
 PLATING W/1.27µm (50µ") NICKEL UNDERPLATE.

11. PART NUMBERS ENDING IN -0xx OR -0xxS OR -1xxS ARE  
 MANUFACTURED WITH BRIGHT FINISH TIN-LEAD PLATING  
 IN P.C. BOARD LEG AREA.



Copyright FCI.

**CONFIDENTIAL**

spec ref	-	dr	Louis Ng	2011/05/11	projection	MM	size	A3	scale	5:2	
tolerance std	ISO 406 ISO 1101	eng	Guat-Lian Loo	2012/10/10			ecn no	ELX-S-005680-1			
	TOLERANCES UNLESS OTHERWISE SPECIFIED	chr	-	-				product family	SCA-2	rel level	Released
surface	linear	appr	Chen-Hong Tan	2012/10/10	SCA-2 PLUG CONNECTOR		dwg no	71292		rev	U
	angular	www.fci.com		cat. no.	-	Product - Customer Drw	sheet 3 of 4				

PRODUCT NO.	NO. POS.	RECOMMENDED PCB THICKNESS	DIM A REF	DIM B	DIM C	DIM D	DIM E	DIM F	DIM G	DIM H	DIM J	DIM K	POS. N	POS. P	POS. R	DIM S	DIM T	DIM U	DIM V	DIM W	DIM X	DIM Y	PLATING
71292-001LF	80	1.19	62.15	51.17	55.27	57.87	63.30	49.53	65.36	66.50	66.40	32.68	41	40	80	57.91	57.82	28.88	1.32	1.30	0.44	0.97	NOTE 16
-201LF																							NOTE 12
71292-002LF	40	1.19	36.75	25.77	29.87	32.47	37.90	24.13	39.95	41.10	41.00	19.98	21	20	40	32.52	32.41	16.20	1.32	1.30	0.44	0.97	NOTE 16
-202LF																							NOTE 12
71292-003LF	80	1.57	62.15	51.17	55.27	57.87	63.30	49.53	65.36	66.50	66.40	32.68	41	40	80	57.91	57.82	28.88	1.83	1.83	0.72	1.52	NOTE 16
-203LF																							NOTE 12
71292-004LF	40	1.57	36.75	25.77	29.87	32.47	37.90	24.13	39.95	41.10	41.00	19.98	21	20	40	32.52	32.41	16.20	1.83	1.83	0.72	1.52	NOTE 16
-204LF																							NOTE 12



NOTES:

- 12. PLATING: CONTACT: 0.76µm (30µ") MIN GOLD IN CONTACT AREA, 2.54µm (100µ") - 5.08µm (200µ") TIN (LEAD-FREE) ON P.C. BOARD LEG, 1.27µm (50µ") MIN NICKEL UNDERPLATE OVER ENTIRE TERMINAL. ESD CONTACT: 2.54µm (100µ") - 5.08µm (200µ") TIN PLATING (LEAD-FREE) WITH 1.27µm (50µ") NICKEL UNDERPLATE.
- ⑬. THE HOUSING WILL WITHSTAND EXPOSURE TO 260°C PEAK TEMPERATURE FOR 10 SECONDS IN A CONVECTION, INFRA-RED OR VAPOR PHASE REFLOW OVEN.
- ⑭. THIS PRODUCT MEETS EUROPEAN UNION DIRECTIVES AND OTHER COUNTRY REGULATIONS AS DESCRIBED IN GS-22-008.
- 15. PART NUMBERS ENDING IN "LF" MEANS FOR NOTE 14 LEAD FREE IDENTIFICATION. P/N XXXXX-2XXLF IS EQUIVALENT TO PREVIOUS P/N XXXXX-2XX.
- 16. PLATING: CONTACT: 0.76µm (30µ") MIN GXT IN CONTACT AREA, 2.54µm (100µ") - 5.08µm (200µ") TIN (LEAD-FREE) ON P.C. BOARD LEG, 1.27µm (50µ") MIN NICKEL UNDERPLATE OVER ENTIRE TERMINAL. ESD CONTACT: 2.54µm (100µ") - 5.08µm (200µ") TIN PLATING (LEAD-FREE) WITH 1.27µm (50µ") NICKEL UNDERPLATE.
- 17. A SYMBOL WILL BE NEXT TO ANY DIMENSION, VIEW OR NOTE WHICH HAS BEEN MODIFIED WITH THE CURRENT DRAWING REVISION.



Copyright FCI.

**CONFIDENTIAL**

spec ref	-	dr	Louis Ng	2011/05/11	projection	MM	size	A3	scale	5:2	
tolerance std	ISO 406 ISO 1101	eng	Guat-Lian Loo	2012/10/10		← →	ecn no	ELX-S-005680-1			
	TOLERANCES UNLESS OTHERWISE SPECIFIED	chr	-	-			product family	SCA-2	rel level	Released	
surface	✓	appr	Chen-Hong Tan	2012/10/10	SCA-2 PLUG CONNECTOR		dwg no	71292		rev	U
	ISO 1302	linear	0.X ±.3 0.XX ±.13 0.XXX ±.051		STRADDLE MOUNT						
		angular	0° ±2°	www.fci.com	cat. no.	-	Product - Customer Drw	sheet 4 of 4			