



Chipsmall Limited consists of a professional team with an average of over 10 year of expertise in the distribution of electronic components. Based in Hongkong, we have already established firm and mutual-benefit business relationships with customers from,Europe,America and south Asia,supplying obsolete and hard-to-find components to meet their specific needs.

With the principle of “Quality Parts,Customers Priority,Honest Operation,and Considerate Service”,our business mainly focus on the distribution of electronic components. Line cards we deal with include Microchip,ALPS,ROHM,Xilinx,Pulse,ON,Everlight and Freescale. Main products comprise IC,Modules,Potentiometer,IC Socket,Relay,Connector.Our parts cover such applications as commercial,industrial, and automotives areas.

We are looking forward to setting up business relationship with you and hope to provide you with the best service and solution. Let us make a better world for our industry!



## Contact us

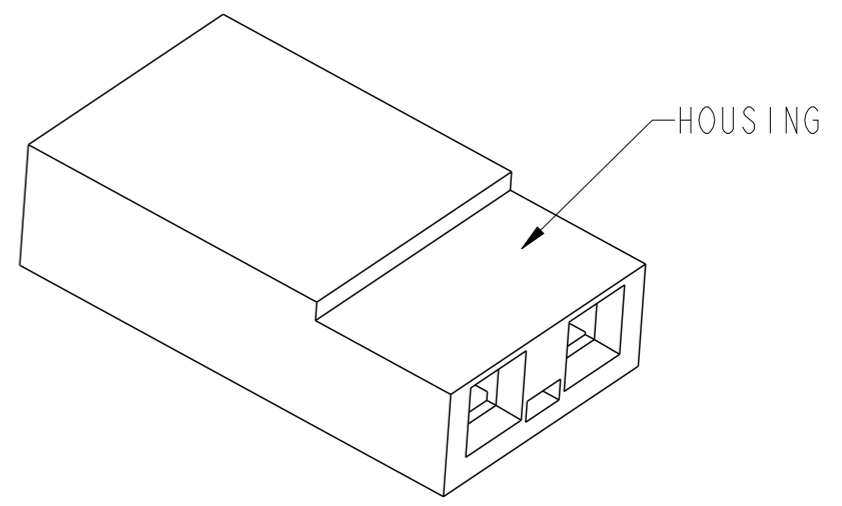
Tel: +86-755-8981 8866 Fax: +86-755-8427 6832

Email & Skype: info@chipsmall.com Web: www.chipsmall.com

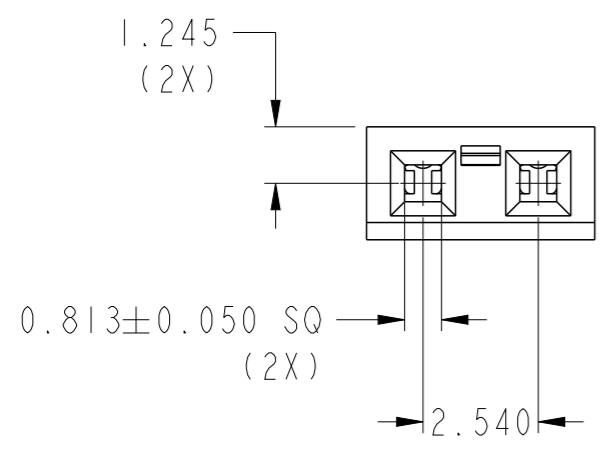
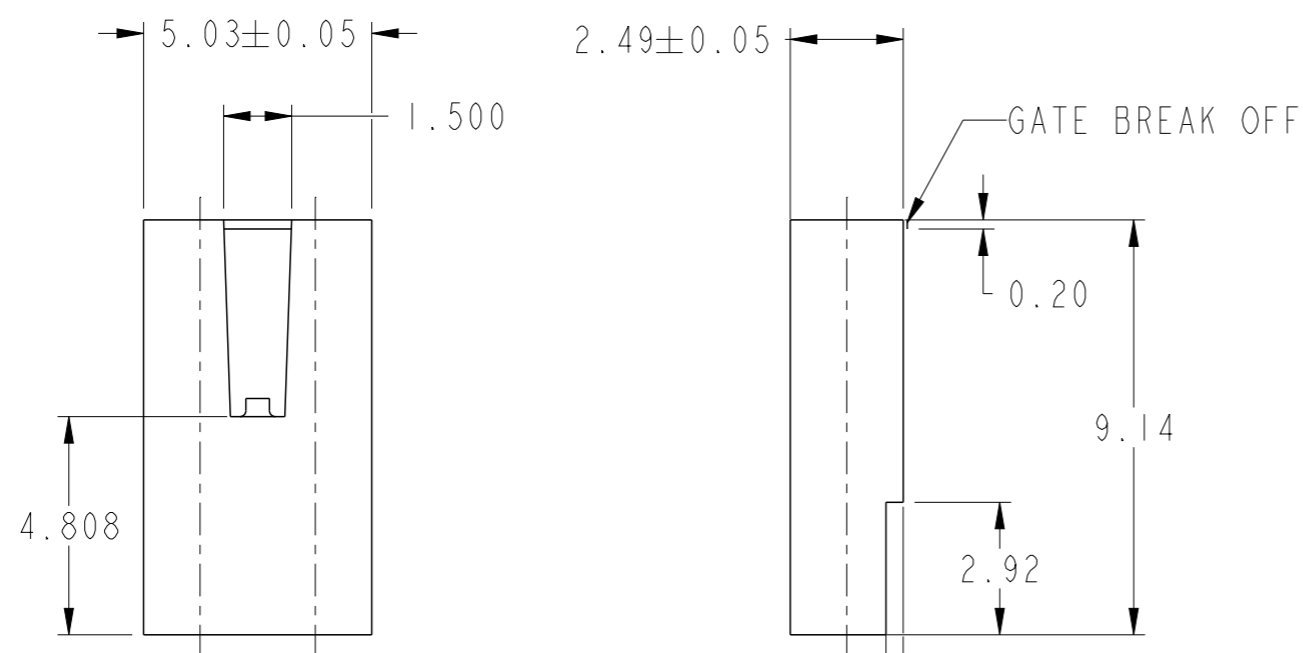
Address: A1208, Overseas Decoration Building, #122 Zhenhua RD., Futian, Shenzhen, China



PART NO SEE NOTE 3	PLATING
71363-102 71363-102LF	0.38um/15u" GOLD OR GXT ON CONTACT AREA OVER 1.27um/50u" Ni (SEE NOTE 7)
71363-202 71363-202LF	0.76um/30u" GOLD OR GXT ON CONTACT OVER 1.27um/50u" Ni (SEE NOTE 7)
71363-302 71363-302LF	2.54um/100u" MATTE TIN PLATING



- NOTE:
- MATERIAL  
HOUSING : 30% GLASS FILLED POLYESTER  
FLAME RETARDANT PER UL 94V-0  
COLOR : BLACK
  - TERMINAL : PHOSPHOR BRONZE  
PLATING : REFER TO CHART
  - PRODUCT DESCRIPTION CODE:  
XXXXX - XXXLF  
    - LEAD FREE (SEE NOTE 4 & 6)
    - EXTENSION NUMBER
    - CONTACT AREA PLATING
    - BASE NUMBER
  - 71363-XXXLF IS THE SAME AS 71363-XXX.  
SUFFIX 'LF' IS ADDED FOR EASY LEAD FREE IDENTIFICATION.
  - THE HOUSING WILL WITHSTAND EXPOSURE TO 200°C PEAK TEMPERATURE FOR 10 SECONDS IN A CONVECTION, INFRA-RED OR VAPOR PHASE REFLOW OVEN.
  - THIS PRODUCT MEETS EUROPEAN UNION DIRECTIVES AND OTHER COUNTRY REGULATIONS AS DESCRIBED IN GS-22-008.
  - PLATING OPTION:  
MAY BE EITHER GOLD OR GXT PLATED AT MANUFACTURER'S OPTION.



spec ref	-	dr	Louis Ng	2010/10/11	projection	MM	size	A3	scale	6:1
tolerance std	ISO 406 ISO 1101	eng	Guo-Min Sun	2013/05/15			ecn no	ELX-N-14400-1		
TOLERANCES UNLESS OTHERWISE SPECIFIED		chr	-	-			rel level	Released		
surface	ISO 1302	appr	Rick Bian	2013/05/26	product family	JUMPER	dwg no	71363	rev	K
	linear									
	angular									

Copyright FCI. FCI