



Chipsmall Limited consists of a professional team with an average of over 10 year of expertise in the distribution of electronic components. Based in Hongkong, we have already established firm and mutual-benefit business relationships with customers from,Europe,America and south Asia,supplying obsolete and hard-to-find components to meet their specific needs.

With the principle of "Quality Parts,Customers Priority,Honest Operation,and Considerate Service",our business mainly focus on the distribution of electronic components. Line cards we deal with include Microchip,ALPS,ROHM,Xilinx,Pulse,ON,Everlight and Freescale. Main products comprise IC,Modules,Potentiometer,IC Socket,Relay,Connector.Our parts cover such applications as commercial,industrial, and automotives areas.

We are looking forward to setting up business relationship with you and hope to provide you with the best service and solution. Let us make a better world for our industry!



## Contact us

Tel: +86-755-8981 8866 Fax: +86-755-8427 6832

Email & Skype: info@chipsmall.com Web: www.chipsmall.com

Address: A1208, Overseas Decoration Building, #122 Zhenhua RD., Futian, Shenzhen, China



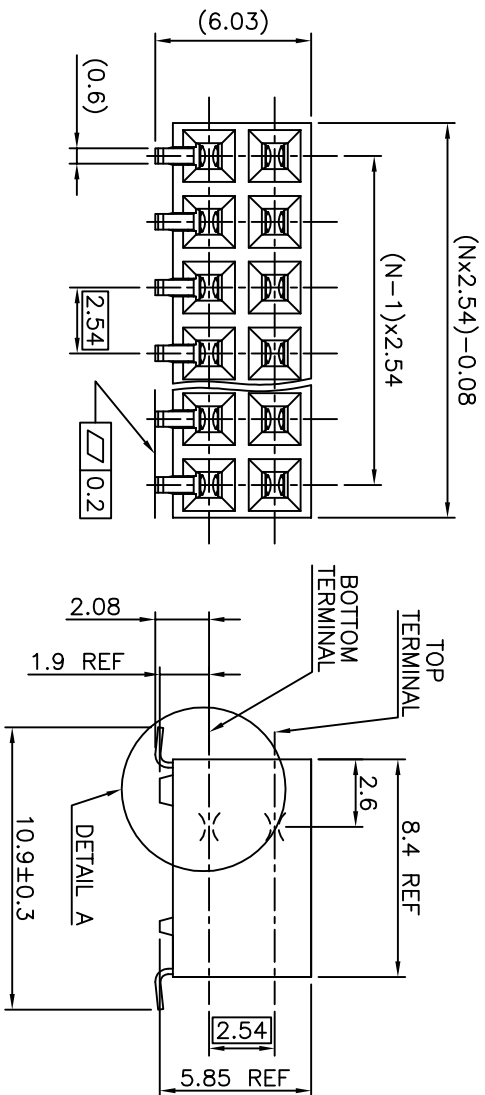
PRODUCT NUMBER  
71609-XXXXLF

ROHS COMPATIBLE, SEE NOTE 6

OPTIONAL LETTER  
A: PRODUCT PACKED IN TAPE & REEL, SEE TA856.  
NUMBER OF POSITIONS PER ROW: 02 TO 40.

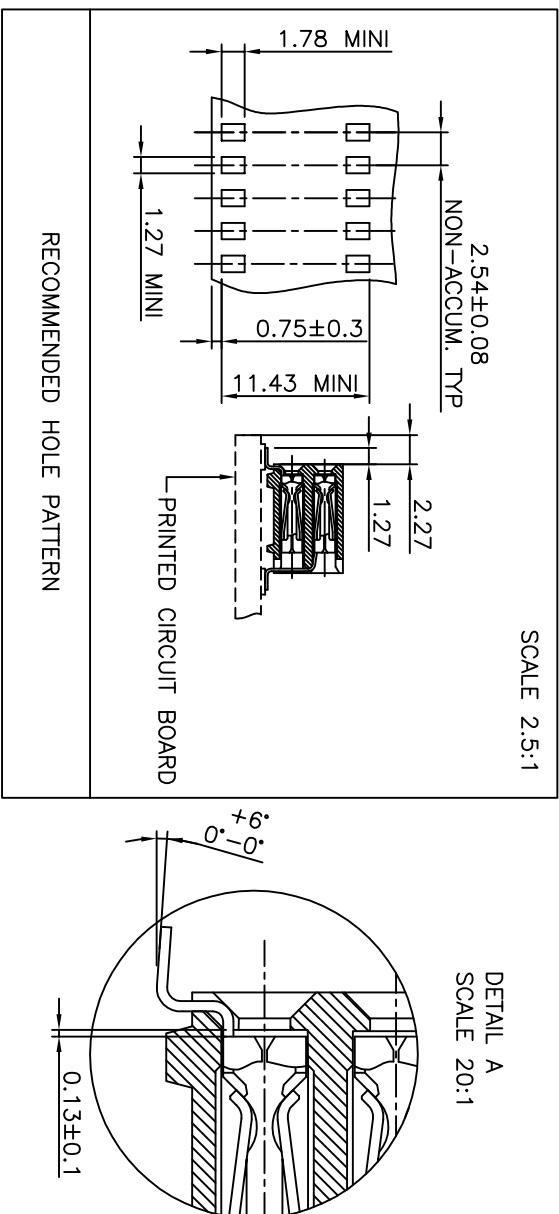
PLATING CODE

- 3 = 0.76µm GOLD ON CONTACT AREA.  
2µm MIN MATTE TIN ON TAIL.
- 4 = 2µm MIN MATTE TIN FULL PLATED
- 8 = 0.38µm GOLD ON CONTACT AREA.  
2µm MIN MATTE TIN ON TAIL.
- 1.27µm Ni MIN UNDERPLATING



SCALE 2.5:1

DETAIL A  
SCALE 20:1



NOTES:

- 1 - HOUSING MAT'L: THERMOPLASTIC GLASS FILLED FLAME RETARDANT PER UL 94 V-0 COLOR: GREY.
  - 2 - TERMINAL MATERIAL: PHOSPHOR BRONZE.
  - 3 - 2 UP TO 4 POSITIONS PRODUCT PACKED IN PLASTIC BOX.
  - 5 UP TO 40 POSITIONS PRODUCT PACKED IN TUBE.
  - 4 - TO DETERMINE DIMENSIONS:  
N = NUMBER OF POSITIONS PER ROW  
EXAMPLE: 8 POS: (N x 2.54) - 0.08 = 20.24 mm
  - 5 - RECOMMENDED IR PROFIL PER TA 842.
  - 6 - ROHS COMPATIBLE PRODUCT SPECIFICATIONS
- d - PLATING:
- "LF" MEANS THE PRODUCT IS LEAD-FREE, 2µm MINIMUM MATTE TIN OVER 1.27µm MINIMUM NICKEL UNDERPLATE.
- b - MANUFACTURING PROCESS COMPATIBILITY
- THE HOUSING WILL WITHSTAND EXPOSURE TO 260°C PEAK TEMPERATURE FOR 30 SECONDS MAX IN A CONVECTION, INFRA-RED OR VAPOR PHASE OR REFLOW OVEN.
- c - LABELING:
- MEETS PACKAGING SPECS AS PER GS-14-920
- d - LEGAL STATEMENT: SEE GS-47-0004

mat'l. code	surface	tolerance	projection	product family
SEE NOTE 1	ISO 1302	ISO 406	ISO 1101	DUBOX
ltr	ecn no	dr	date	ISO 1302
W	F04-0347	DLE	04.11.08	ISO 406
X	F06-0204	DLE	06.06.10	ISO 1101
Y	B-17361	JCO	14.01.04	tolerance unless otherwise specified
AA	B-19123	LWU	14.10.21	linear
				40.3
				mm
				scale 10:1
				engr P NIZZI 94.03.21
				chf JF NOTTEAU 99.06.08
				qppd PNZ 97.05.13
				99.06.08
sheet	revision			FCI
index	sheet			dwg no 71609
				type CUSTOMER
				sheet 1 of 1
				size A3
				title B1B RECEPT. HORIZ DR SMT