



Chipsmall Limited consists of a professional team with an average of over 10 year of expertise in the distribution of electronic components. Based in Hongkong, we have already established firm and mutual-benefit business relationships with customers from,Europe,America and south Asia,supplying obsolete and hard-to-find components to meet their specific needs.

With the principle of “Quality Parts,Customers Priority,Honest Operation,and Considerate Service”,our business mainly focus on the distribution of electronic components. Line cards we deal with include Microchip,ALPS,ROHM,Xilinx,Pulse,ON,Everlight and Freescale. Main products comprise IC,Modules,Potentiometer,IC Socket,Relay,Connector.Our parts cover such applications as commercial,industrial, and automotives areas.

We are looking forward to setting up business relationship with you and hope to provide you with the best service and solution. Let us make a better world for our industry!



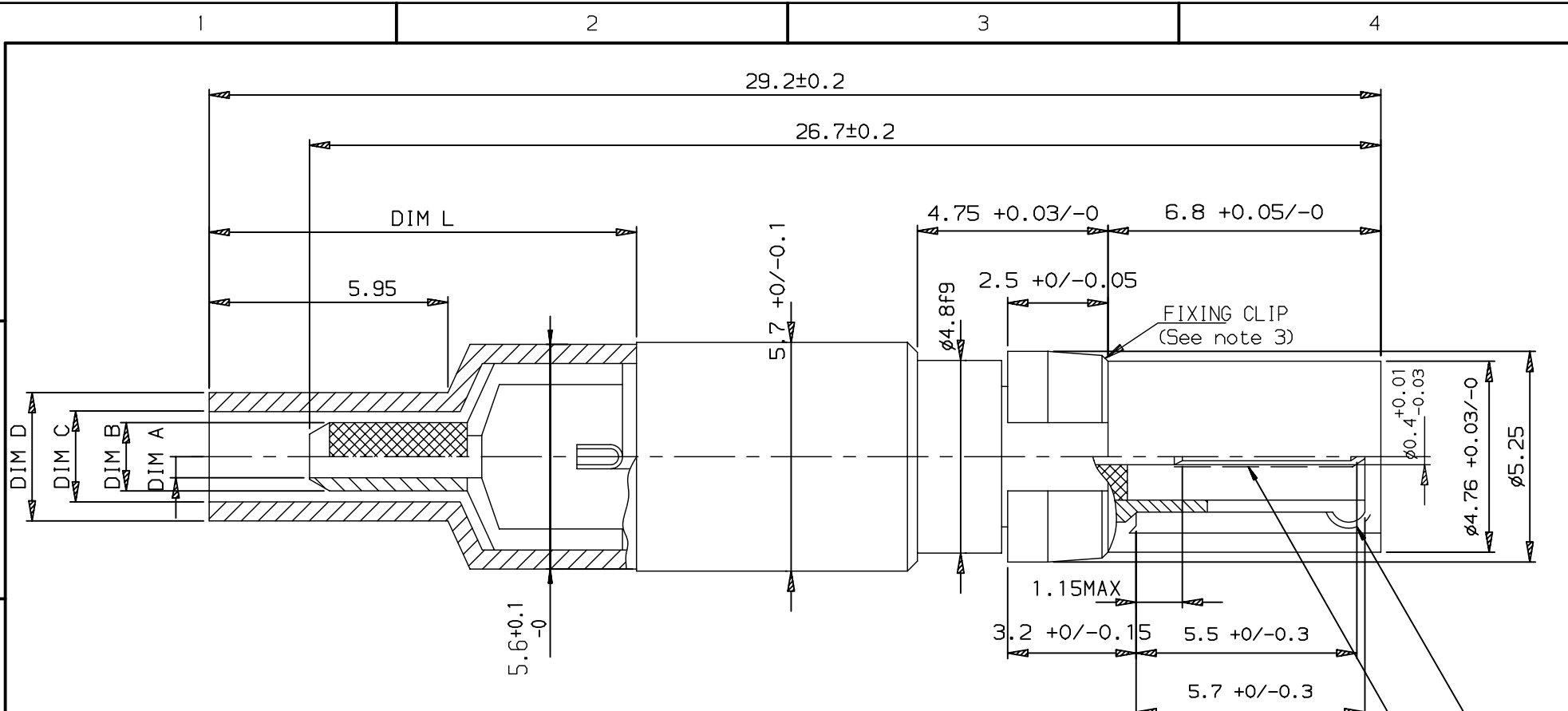
Contact us

Tel: +86-755-8981 8866 Fax: +86-755-8427 6832

Email & Skype: info@chipsmall.com Web: www.chipsmall.com

Address: A1208, Overseas Decoration Building, #122 Zhenhua RD., Futian, Shenzhen, China





LEAD-FREE P/N	DIM A	∅DIM B	∅DIM C	∅DIM D	DIM L	CABLE TYPE	IMPEDANCE
71634-X11LF	1.05	1.70	2.25	3.20	10.4	RG178 B/U RG196 A/U	75 Ohm
71634-X21LF	1.70	2.70	3.20	3.80	10.4	RG174 A/U RG179 RG188 A/U RG316 /U	75 Ohm
71634-X31LF	1.70	2.70	3.58	4.30	10.4	RG316/U2 SHIELDED	75 Ohm
71634-X41LF	2.20	3.20	4.10	5.00	10.4	GPT CABLE	75 Ohm

- NOTES:
1. UNDERPLATING Ni.
 2. GENERAL TOLERANCE ±0.10
 3. FIXING CLIP PLATED WITH GOLD FLASH FOR IDENTIFICATION PURPOSES.

1	1.3 µm Au MIN	1.3 µm Au MIN
PLATING CODE X	PLATING CONTACT AREA 3	PLATING CONTACT AREA 4

NOTE:RoHS INFORMATIONS

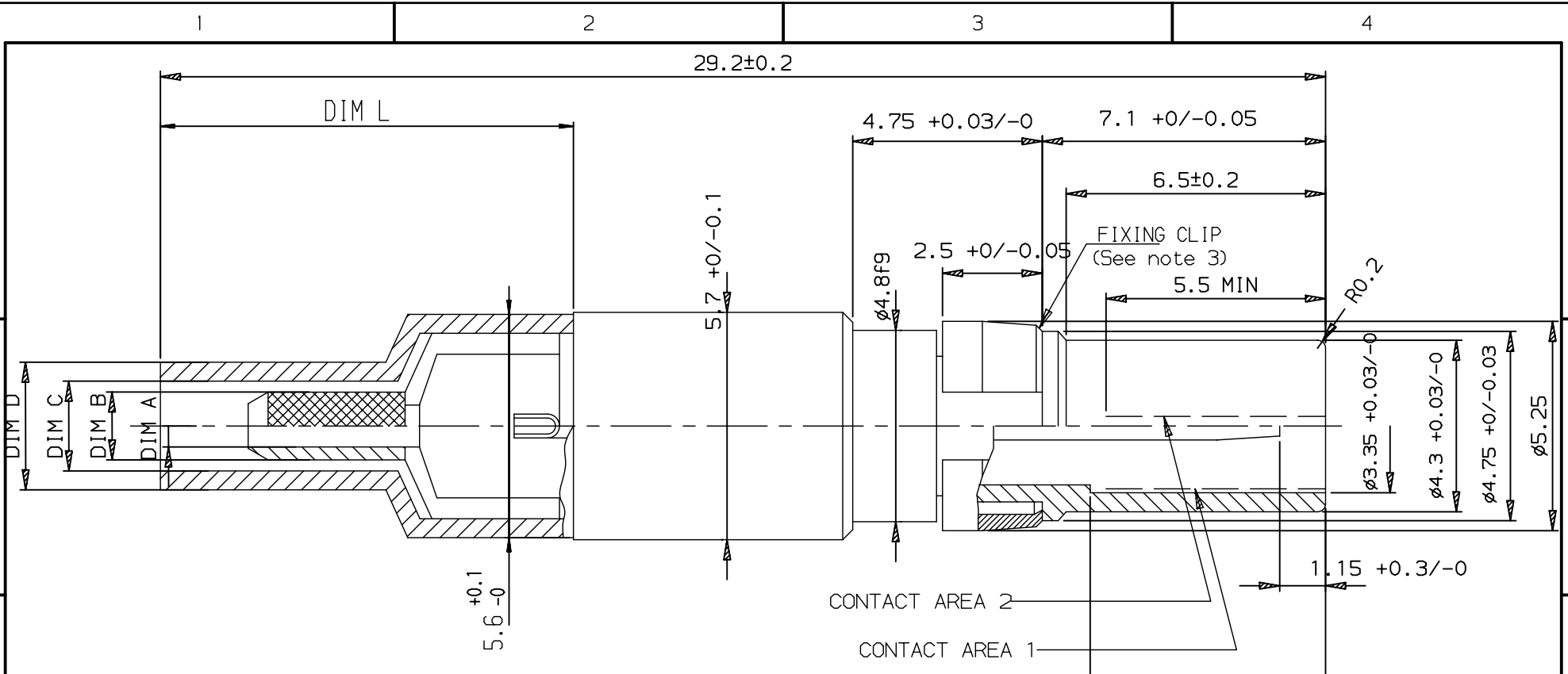
- The "LF" product meets European union Directives and other country regulations as described in GS-22-008.
- The product is not intended to be exposed to a manufacturing solder process.
- Packaging spec: see GS-14-920.

rev	ecn no	dr	date
L	LS06-0073	LGO	2006/11/05
M	LS07-0214	LGO	2007/08/20
N	LS08-0057	LGO	2008/02/18
-	-	-	-
-	-	-	-
-	-	-	-

www.fciconnect.com		surface ISO 1302 ✓	tolerance std ISO 406 ISO 1101	projection ⊕	mm
TOLERANCES UNLESS OTHERWISE SPECIFIED					
Dr	GOISNARD	2006/11/05	ANGULAR	0.X	±0.1
Eng	GOISNARD	2006/11/05	LINEAR	0.XX	±0.1
Chr	LEGARE	2006/11/05	0.XX' ±2'	0.XXX	±0.1
Appr	LEGARE	2006/11/05	Product family	BACKPANEL	Spec ref -
title DIN COAX HDR STR CTW INSERT			dwg no 71634		Rev. N
catalog no			CUSTOMER		sheet 1 of 6

CONTACT AREA 4
CONTACT AREA 3

Copyright FCJ.



LEAD-FREE P/N	DIM A	DIM B	DIM C	DIM D	DIM L	CABLE TYPE	IMPEDANCE
71634-X12LF	1.05	1.70	2.25	3.20	10.4	RG178 B/U RG196 A/U	75 Ohm
71634-X22LF	1.70	2.70	3.20	3.80	10.4	RG174 A/U RG179 B/U RG187 A/U RG187 A/URG316 /U	75 Ohm
71634-X32LF	1.70	2.70	3.55	4.30	10.4	LG10/9-19	75 Ohm
71634-X42LF	2.20	3.20	4.10	5.00	10.4	GPT CABLE	75 Ohm

NOTES:

1. UNDERPLATING Ni.
2. GENERAL TOLERANCE ±0.10
3. FIXING CLIP PLATED WITH GOLD FLASH FOR IDENTIFICATION PURPOSES.

	1	1.3 µm Au MIN	1.3 µm Au MIN
PLATING CODE X	PLATING CONTACT AREA 3	PLATING CONTACT AREA 4	

NOTE: RoHS INFORMATIONS

- The "LF" product meets European union Directives and other country regulations as described in GS-22-008.
- The product is not intended to be exposed to a manufacturing solder process.
- Packaging spec: see GS-14-920.

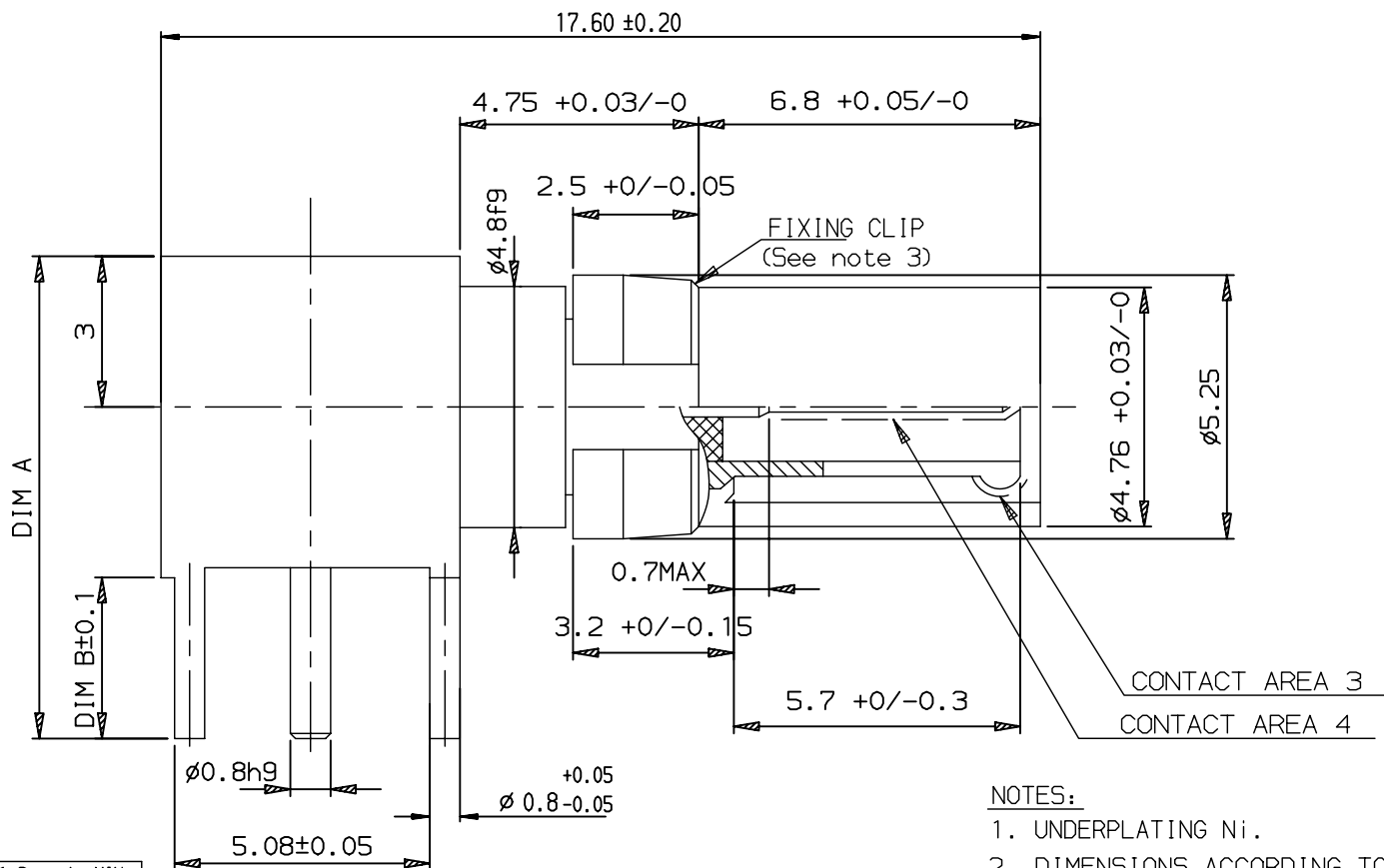
CONTACT AREA 2

CONTACT AREA 1

European Views

www.fciconnect.com		surface ISO 1302 ✓	tolerance std ISO 406 ISO 1101	projection ⊕	mm
TOLERANCES UNLESS OTHERWISE SPECIFIED					
Dr	GOISNARD	2006/11/05	ANGULAR	0.X ±0.1	size A3
Eng	GOISNARD	2006/11/05	LINEAR	0.XX ±0.1	Scale 8
Chr	LEGARE	2006/11/05	0.XX ±2°	0.XXX ±0.1	ECN LS08-0057
Appr	LEGARE	2006/11/05	Product family	BACKPANEL	Spec ref -
		DIN COAX RCP STR CTW INSERT		dwg no 71634	Rev. N
catalog no		-		CUSTOMER	sheet 2 of 6

Copyright FCI. FCI



- NOTES:
1. UNDERPLATING Ni.
 2. DIMENSIONS ACCORDING TO DIN 41626
 2. GENERAL TOLERANCE ± 0.10
 3. FIXING CLIP PLATED WITH GOLD FLASH

1	1.3 μm Au MIN	1.3 μm Au MIN
PLATING CODE X	PLATING CONTACT AREA 3	PLATING CONTACT AREA 4

LEAD-FREE P/N	DIM A	DIM B	IMPEDANCE
71634-X03LF	9.6	3.2	75 Ohm
71634-X13LF	10.4	4.0	75 Ohm

NOTE:RoHS INFORMATIONS

- The "LF" product meets European union Directives and other country regulations as described in GS-22-008.
- The product is not intended to be exposed to a manufacturing solder process.
- Packaging spec: see GS-14-920.

www.fciconnect.com		surface ISO 1302 <input checked="" type="checkbox"/>	tolerance std ISO 406 ISO 1101	projection 	mm
TOLERANCES UNLESS OTHERWISE SPECIFIED					
Dr	GOISNARD	2006/11/05	ANGULAR	0.X	± 0.1
Eng	GOISNARD	2006/11/05	LINEAR	0.XX	± 0.1
Chr	LEGARE	2006/11/05	0.XX' $\pm 2'$	0.XXX	± 0.1
Appr	LEGARE	2006/11/05	Product family	BACKPANEL	Spec ref -
			DIN COAX HDR RA STB INSERT		dwg no 71634
catalog no -			CUSTOMER		sheet 3 of 6

European Views

REV F - 2006-04-17

1

2

3

4

A

B

C

D

A

B

C

D

32±0.2

8.4 +0/-0.1

4.75 +0.03/-0

7.1 +0/-0.05

6.5 +0/-0.1

2.5 +0/-0.05

FIXING CLIP
(See note 4)

R0.2

ø3.35 +0.03/-0

ø4.3 +0.03/-0

ø4.75 +0/-0.03

ø5.25

+0.3
2.3 -0

ø4.8f9

CONTACT AREA 2

CONTACT AREA 1

1.15 +0.3/-0

5.9 +0/-0.1

LEAD-FREE P/N	IMPEDANCE
71634-X05LF	75 Ohm

NOTES:

1. UNDERPLATING Ni.
2. DIMENSIONS ACCORDING TO DIN 41626
2. GENERAL TOLERANCE ±0.10
3. FIXING CLIP PLATED WITH GOLD FLASH FOR IDENTIFICATION PURPOSES.

1	1.3 µm Au MIN	1.3 µm Au MIN
PLATING CODE X	PLATING CONTACT AREA 1	PLATING CONTACT AREA 2

NOTE:RoHS INFORMATIONS

- The "LF" product meets European union Directives and other country regulations as described in 65-22-008.
- The product is not intended to be exposed to a manufacturing solder process.
- Packaging spec: see 65-14-920.

European Views

www.fciconnect.com		surface ISO 1302 ✓	tolerance std ISO 406 ISO 1101	projection ⊕	mm
TOLERANCES UNLESS OTHERWISE SPECIFIED					
Dr	GOISNARD	2006/11/05	ANGULAR	0.X ±0.1	size A3
Eng	GOISNARD	2006/11/05	LINEAR	0.XX ±0.1	Scale 5
Chr	LEGARE	2006/11/05	0.XX' ±2'	0.XXX ±0.1	ECN LS08-0057
Appr	LEGARE	2006/11/05	Product family	BACKPANEL	Spec ref -
FCj		title DIN COAX RCP COUPLER 75 MICRON LONG		dwg no 71634	Rev. N
catalog no		-		CUSTOMER	sheet 5 of 6

REV F - 2006-04-17

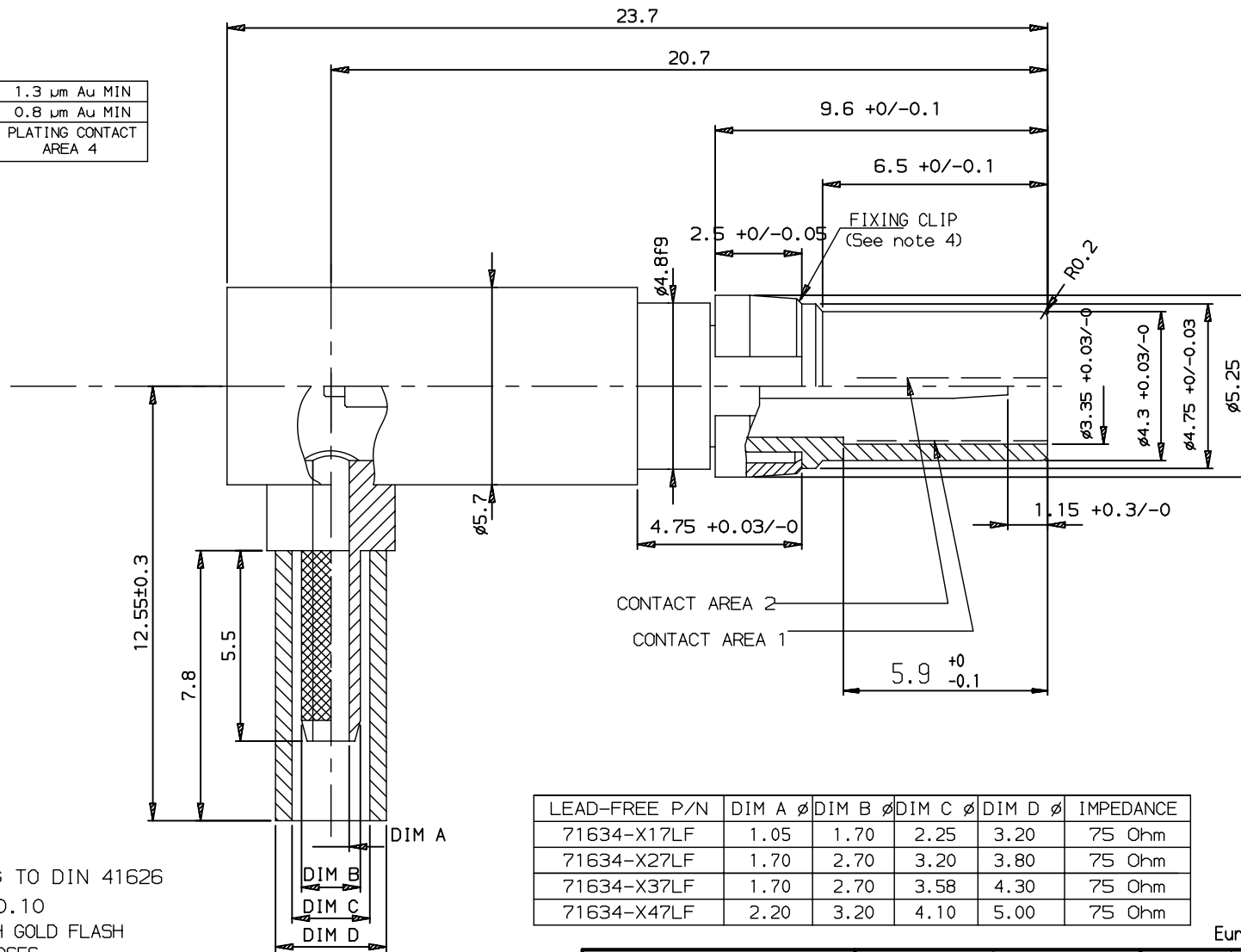
1

2

3

4

2	1.3 μm Au MIN	1.3 μm Au MIN
1	0.8 μm Au MIN	0.8 μm Au MIN
PLATING CODE X	PLATING CONTACT AREA 3	PLATING CONTACT AREA 4



LEAD-FREE P/N	DIM A ϕ	DIM B ϕ	DIM C ϕ	DIM D ϕ	IMPEDANCE
71634-X17LF	1.05	1.70	2.25	3.20	75 Ohm
71634-X27LF	1.70	2.70	3.20	3.80	75 Ohm
71634-X37LF	1.70	2.70	3.58	4.30	75 Ohm
71634-X47LF	2.20	3.20	4.10	5.00	75 Ohm

NOTES:

1. UNDERPLATING Ni.
2. DIMENSIONS ACCORDING TO DIN 41626
3. GENERAL TOLERANCE ± 0.10
3. FIXING CLIP PLATED WITH GOLD FLASH FOR IDENTIFICATION PURPOSES.

NOTE:RoHS INFORMATIONS

- The "LF" product meets European union Directives and other country regulations as described in G5-22-008.
- The product is not intended to be exposed to a manufacturing solder process.
- Packaging spec: see G5-14-920.

European Views

www.fciconnect.com		ISO 1302 <input checked="" type="checkbox"/>		tolerance std		projection		mm	
		ISO 406 ISO 1101		TOLERANCES UNLESS OTHERWISE SPECIFIED					
Dr	GOISNARD	2006/11/05	ANGULAR	LINEAR	0.X	± 0.1	size	A3	Scale
Eng	GOISNARD	2006/11/05			0.XX	± 0.1			
Chr	LEGARE	2006/11/05	0.XX' $\pm 2'$		0.XXX	± 0.1	ECN	LS08-0057	
Appr	LEGARE	2006/11/05	Product family		BACKPANEL		Spec ref		-
		title			DIN COAX RCP		dwg no		Rev.
		RA CTW			71634		CUSTOMER		N
		catalog no			-		sheet 6 of 6		