



Chipsmall Limited consists of a professional team with an average of over 10 year of expertise in the distribution of electronic components. Based in Hongkong, we have already established firm and mutual-benefit business relationships with customers from,Europe,America and south Asia,supplying obsolete and hard-to-find components to meet their specific needs.

With the principle of "Quality Parts,Customers Priority,Honest Operation,and Considerate Service",our business mainly focus on the distribution of electronic components. Line cards we deal with include Microchip,ALPS,ROHM,Xilinx,Pulse,ON,Everlight and Freescale. Main products comprise IC,Modules,Potentiometer,IC Socket,Relay,Connector.Our parts cover such applications as commercial,industrial, and automotives areas.

We are looking forward to setting up business relationship with you and hope to provide you with the best service and solution. Let us make a better world for our industry!



Contact us

Tel: +86-755-8981 8866 Fax: +86-755-8427 6832

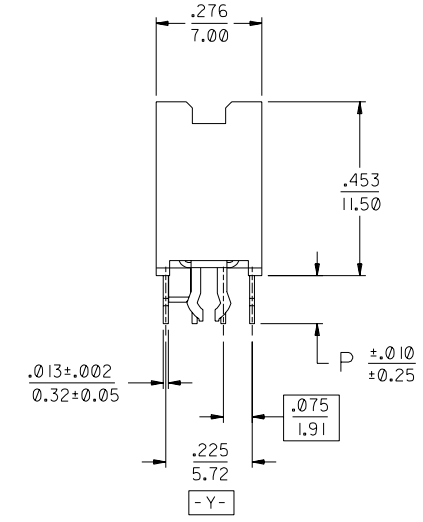
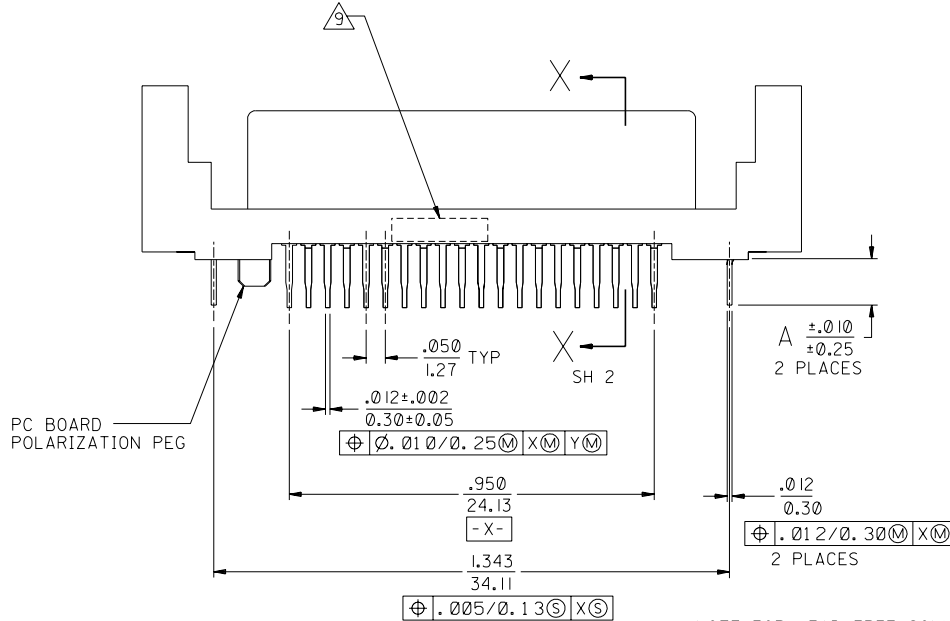
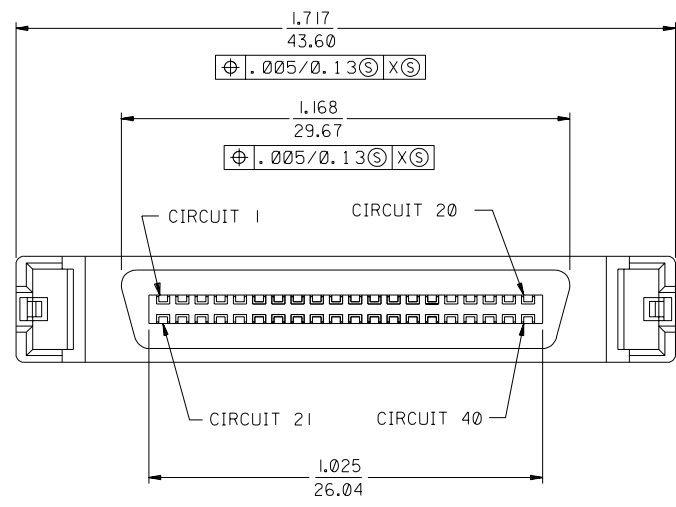
Email & Skype: info@chipsmall.com Web: www.chipsmall.com

Address: A1208, Overseas Decoration Building, #122 Zhenhua RD., Futian, Shenzhen, China



NOTES:

- 1) MATERIALS:
HOUSING- LIQUID CRYSTAL POLYMER (LCP), GLASS FILLED, UL 94V-0, BLACK.
TERMINALS- COPPER ALLOY
ESD METAL PEGS- COPPER ALLOY.
- 2) PLATING OPTION 1:
TERMINALS:
.000030/(0.00076) MINIMUM GOLD IN CONTACT AREA AND .000100/(0.00254) MINIMUM TIN IN TAIL AREA OVER NICKEL UNDERPLATING OVERALL.
ESD METAL PEGS:
.000150/(0.00381) MINIMUM TIN OVER NICKEL UNDERPLATING OVERALL.
- 3) PLATING OPTION 2:
TERMINALS: GOLD FLASH IN SELECT CONTACT AREA OVER .000030/(0.00076) MINIMUM PALLADIUM NICKEL IN CONTACT AREA AND .000075/(0.00191) MINIMUM TIN IN TAIL AREA OVER NICKEL UNDERPLATING OVERALL.
ESD METAL PEGS:
.000150/(0.00381) MINIMUM TIN OVER NICKEL UNDERPLATING OVERALL.
- 4) CONFORMS TO PRODUCT SPECIFICATION PS-73826-0000.
- 5) CIRCUIT NUMBERS 21 THRU 23, 26, 29, 32, 35 THRU 40, ARE ADVANCED (LONG) TERMINALS FOR SEQUENTIAL MATING.
- 6) CONNECTOR WILL ACCEPT MATING TO A P.C. BOARD WITH A THICKNESS OF .062±.003 (1.60±0.08).
- 7) SEE TABLE FOR RECOMMENDED P.C. BOARD THICKNESS.
- 8) PRODUCT PACKAGED PER PK-70873-083*
- 9) FOUR DIGIT DATE CODE (WK, YR), EXAMPLE => 26 96 LOCATED IN AREA INDICATED.



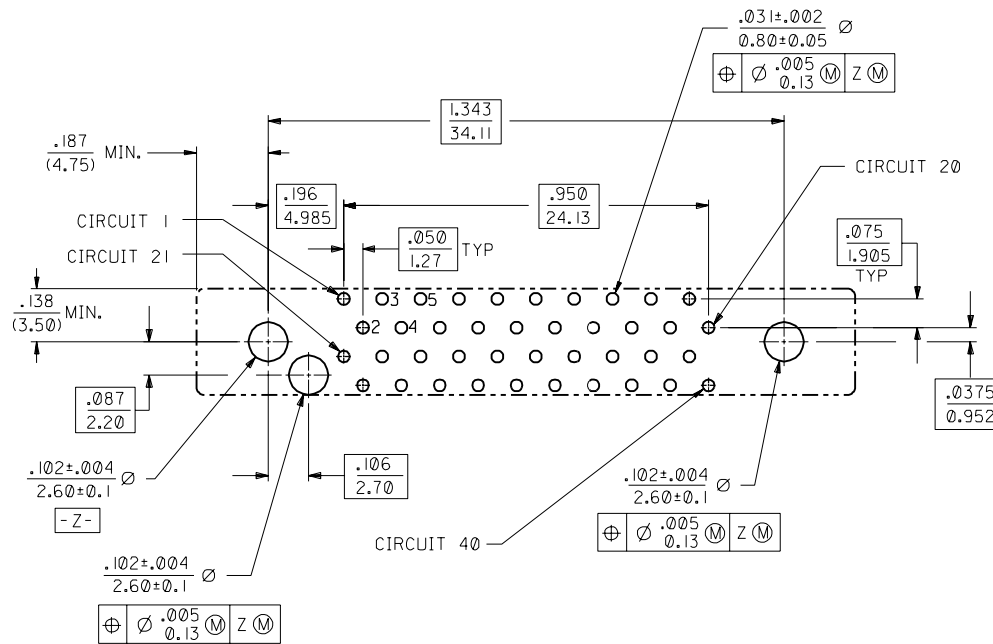
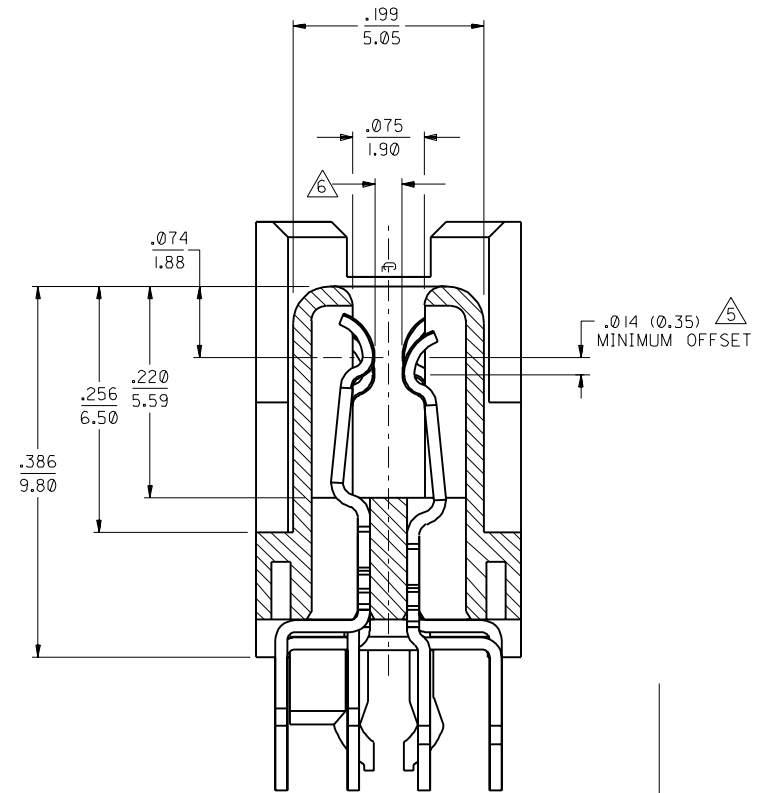
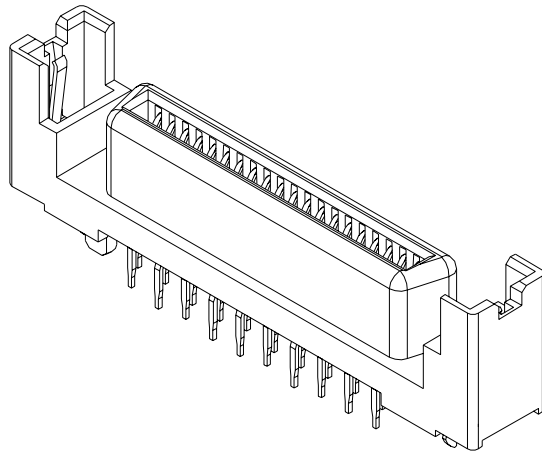
NOTE FOR LEAD FREE CONVERSION:

THE PRIMARY SHIPPING CARTON WILL BE LABELED "COMPLIANT TO ROHS DIRECTIVE 2002/95/EC AND ELV ANNEX II OF DIRECTIVE 2000/53/EC". CARTONS WITHOUT THIS LABEL MAY CONTAIN PRODUCT WITH LEAD.

71743-1045	SEE NOTE 2	.130±.006 (3.30±0.15)	.148 (3.75)	.118 (3.00)
71743-1044	SEE NOTE 2	.125±.003 (3.18±0.08)	.134 (3.40)	.118 (3.00)
71743-1043	SEE NOTE 2	.093±.003 (2.36±0.08)	.125 (3.18)	.118 (3.00)
71743-1042	OBSOLETE			
71743-1041	SEE NOTE 2	.062±.003 (1.60±0.08)	.110 (2.79)	.118 (3.00)
71743-1040	SEE NOTE 2	.093±.003 (2.36±0.08)	.125 (3.18)	.118 (3.00)
PART NUMBER	PLATING	PCB THICKNESS	DIM. P	DIM. A

J	REVISOR	ECN UCP2004-2082	REVISION	04/04/22
I	REVISOR	ECN UCP2003-0093	REVISION	02/08/13
H	REVISOR	ECN UDT 2000-1231	REVISION	00/06/07
G	REVISOR	ECN UDT1999-0975	REVISION	KSMITH 99/05/26
F2	REVISOR	ECN UDT 1999-0865	REVISION	ACHAMMER 99-04-10
F1	REVISOR	ECN UDT1998-0294	REVISION	STANISLA 98/6/10
F	REVISOR	PER ECN U80654	REVISION	ACHAMMER 97-9-18
E	REVISOR	PER ECN U71495	REVISION	ACHAMMER 97-6-2
DI	REVISOR	PER ECN U70444	REVISION	ACHAMMER 96-11-26
D	REVISOR	PER ECN U61278	REVISION	5-2-96 DCA
C	REVISOR	PER ECN U60641	REVISION	11-29-95 DRS
B	REVISOR	PER ECN U60297	REVISION	9-1-95 RAN
A	REVISOR	PER ECN U60019	REVISION	8-15-95 RAN

DIMENSIONS SHOWN (METRIC) INCH UNLESS OTHERWISE SPECIFIED TOLERANCES: ANGULAR ± 1/2°		REVISE ONLY ON CAD SYSTEM	
3 PLACE ± .005		TITLE	
2 PLACE ± .01 ± 0.13		SALES ASSEMBLY	
1 PLACE --- ± 0.25		EBBI VERTICAL RECEPTACLE	
DRAFT WHERE APPLICABLE MUST REMAIN WITHIN DIMENSIONS		40 CKT FIBRE CHANNEL CONN	
DRWG. BY: RAN		PART NO. SEE TABLE SDA-71743-104*	
CHK'D. BY: RAN		SHEET NO. DATE	
APPR'D. BY: GWF		1 OF 2 7/21/95	
SCALE: 4:1		MFG, SH, REV, LTR, REVISIONS	
FILE NAME: 571743X4		MOLEX INCORPORATED	
SHEET NO. 501		U.S.A. 60532	
DIV. C		THIS DRAWING CONTAINS INFORMATION THAT IS PROPRIETARY TO MOLEX INC. AND SHOULD NOT BE USED WITHOUT WRITTEN PERMISSION	



RECOMMENDED PC BOARD LAYOUT
COMPONENT SIDE

SEE SHEET 1

MFG. SH. REV. LTR. REVISIONS

DIMENSIONS SHOWN (METRIC) INCH		UNLESS OTHERWISE SPECIFIED TOLERANCES ANGULAR ± 1/2°		REVISIONS	
INCH		METRIC		TITLE	
3 PLACE ± .005	---	SALES ASSEMBLY			
2 PLACE ± .01	± 0.13	EBBI VERTICAL RECEPTACLE			
1 PLACE ---	± 0.25	40 CKT FIBRE CHANNEL CONN			
DRAFT WHERE APPLICABLE MUST REMAIN WITHIN DIMENSIONS		MOLEX INCORPORATED		SHEET NO. 2	DATE 7/21/95
PART NO. SDA-71743-104		DRWG. NO.		U.S.A.	
DRWG. BY RAN	CHK'D BY RAN	FILE NAME S71743X4		DIV. C	
APP'D BY GWF	SCALE 4:1	THIS DRAWING CONTAINS INFORMATION THAT IS PROPRIETARY TO MOLEX INC. AND SHOULD NOT BE USED WITHOUT WRITTEN PERMISSION.		SIZE C	