



Chipsmall Limited consists of a professional team with an average of over 10 year of expertise in the distribution of electronic components. Based in Hongkong, we have already established firm and mutual-benefit business relationships with customers from,Europe,America and south Asia,supplying obsolete and hard-to-find components to meet their specific needs.

With the principle of “Quality Parts,Customers Priority,Honest Operation,and Considerate Service”,our business mainly focus on the distribution of electronic components. Line cards we deal with include Microchip,ALPS,ROHM,Xilinx,Pulse,ON,Everlight and Freescale. Main products comprise IC,Modules,Potentiometer,IC Socket,Relay,Connector.Our parts cover such applications as commercial,industrial, and automotives areas.

We are looking forward to setting up business relationship with you and hope to provide you with the best service and solution. Let us make a better world for our industry!



Contact us

Tel: +86-755-8981 8866 Fax: +86-755-8427 6832

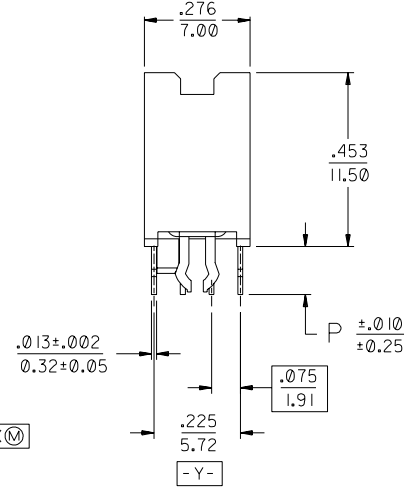
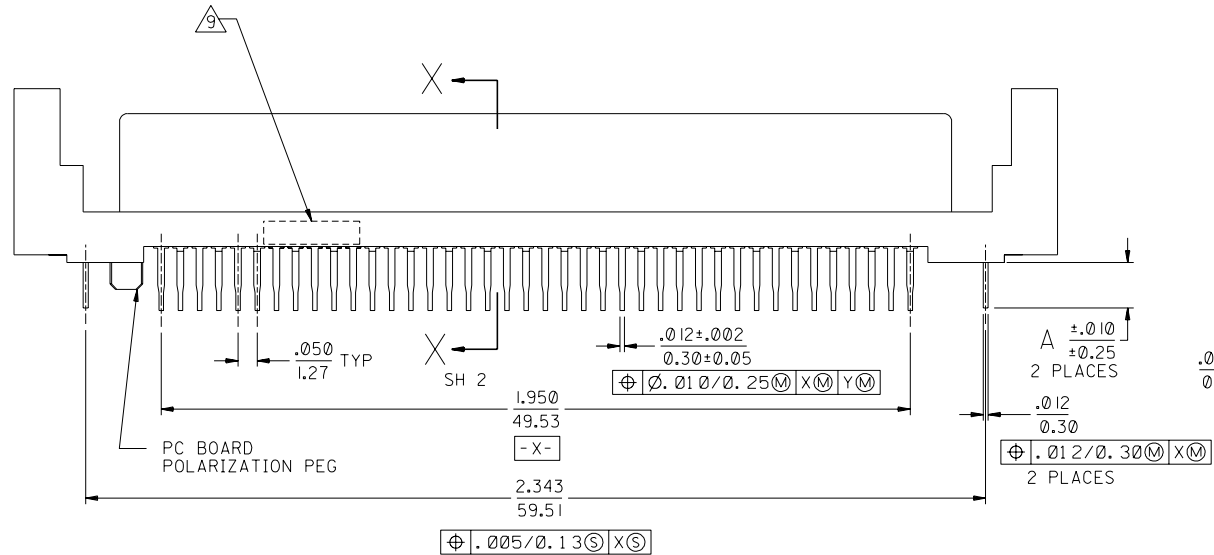
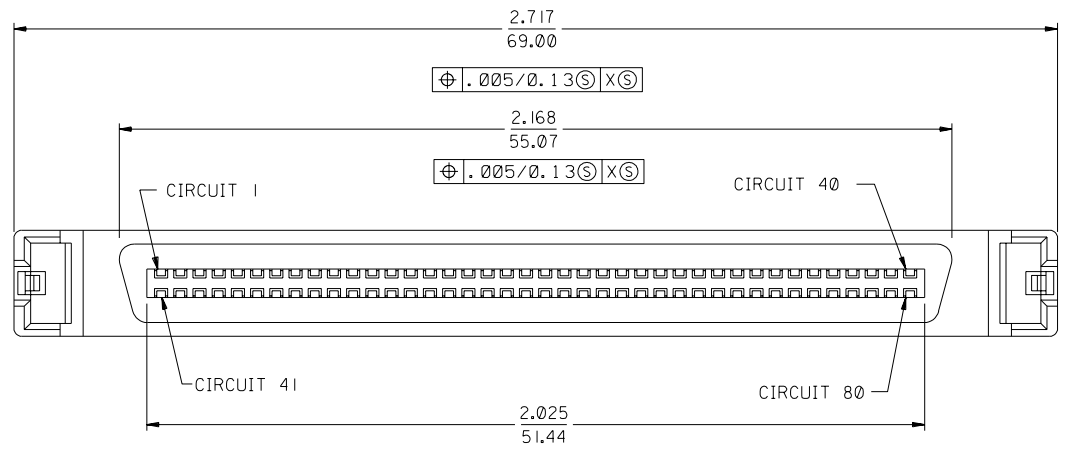
Email & Skype: info@chipsmall.com Web: www.chipsmall.com

Address: A1208, Overseas Decoration Building, #122 Zhenhua RD., Futian, Shenzhen, China



NOTES:

- 1) MATERIALS:
HOUSING- LIQUID CRYSTAL POLYMER (LCP), GLASS FILLED,
UL 94V-0, BLACK.
TERMINALS- COPPER ALLOY
ESD METAL PEGS- COPPER ALLOY.
- 2) FINISH OPTION 1:
TERMINALS:
.000030/(0.00076) MINIMUM GOLD IN CONTACT AREA AND
.000100/(0.00254) MINIMUM TIN IN TAIL AREA OVER
NICKEL UNDERPLATE OVERALL.
ESD METAL PEGS:
.000150/(0.00381) MINIMUM TIN OVER
NICKEL UNDERPLATE OVERALL.
- 3) FINISH OPTION 2:
TERMINALS:
GOLD FLASH IN SELECT CONTACT AREA OVER
.000030/(0.00076) MINIMUM PALLADIUM NICKEL
IN CONTACT AREA AND
.000075/(0.00191) MINIMUM TIN IN TAIL AREA OVER
NICKEL UNDERPLATE OVERALL.
ESD METAL PEGS:
.000150/(0.00381) MINIMUM TIN OVER
NICKEL UNDERPLATE OVERALL.
- 4) CONFORMS TO PRODUCT SPECIFICATION PS-73826-0000.
- 5) CIRCUIT NUMBERS 1, 36 THRU 43, 45, 46, AND 75 THRU 80,
ARE ADVANCED (LONG) TERMINALS FOR SEQUENTIAL MATING.
- 6) CONNECTOR WILL ACCEPT MATING TO A P.C. BOARD WITH
A THICKNESS OF .062±.003 (1.60±0.08).
- 7) SEE TABLE FOR RECOMMENDED P.C. BOARD THICKNESS.
- 8) PRODUCT PACKAGED PER PK-70873-083*
- 9) FOUR DIGIT DATE CODE (WK, YR), EXAMPLE => 26 96
LOCATED IN AREA INDICATED.

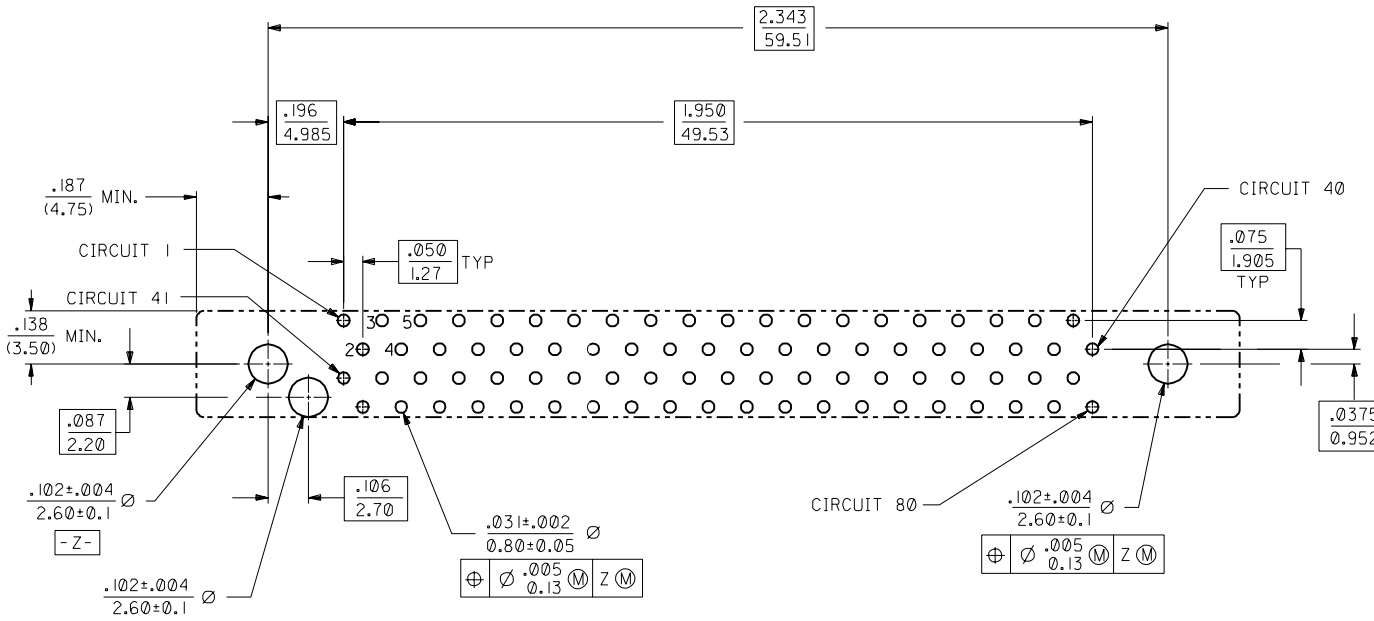
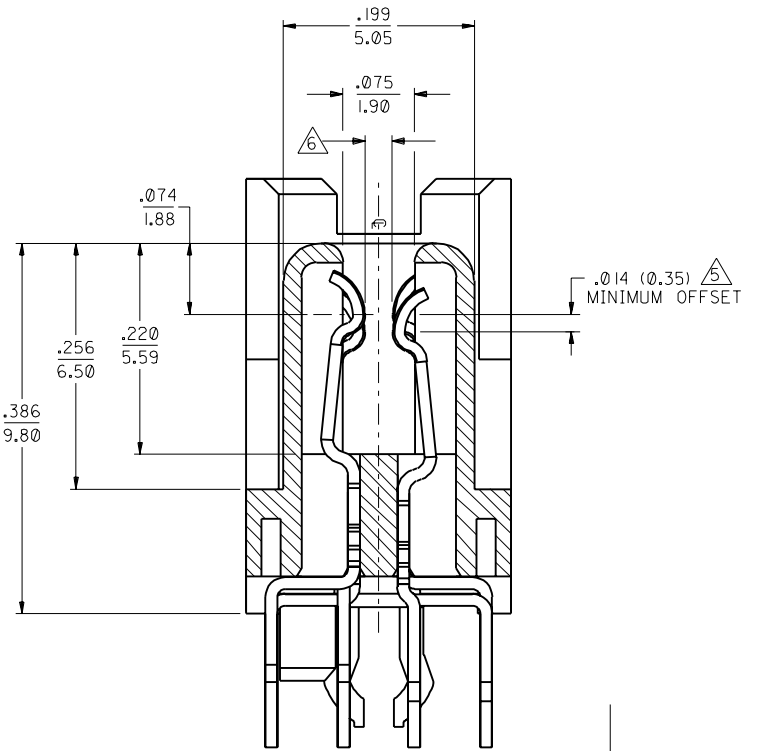
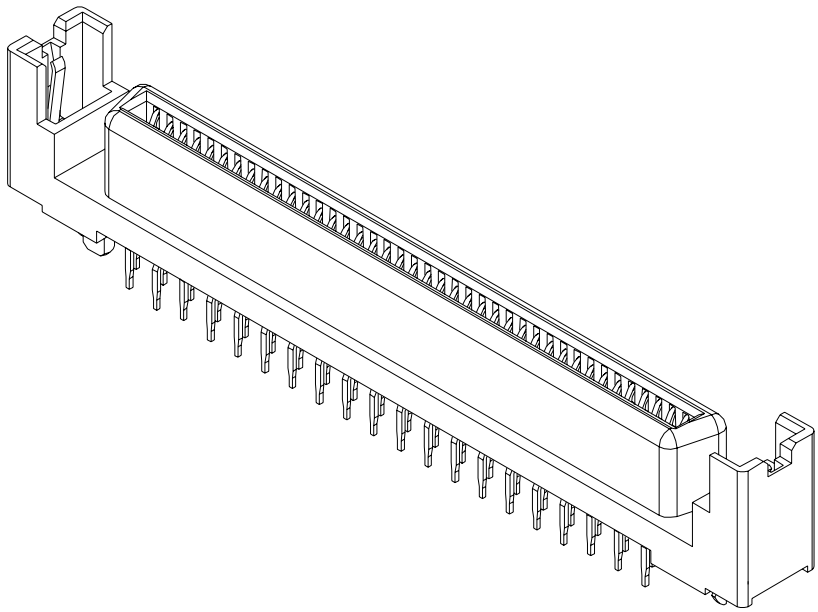


NOTE FOR LEAD FREE CONVERSION:
THE PRIMARY SHIPPING CARTON WILL BE
LABELED "COMPLIANT TO ROHS DIRECTIVE
2002/95/EC AND ELV ANNEX II OF
DIRECTIVE 2000/53/EC". CARTONS WITHOUT
THIS LABEL MAY CONTAIN PRODUCT WITH
LEAD.

71743-1086	OBSOLETE				
71743-1085	SEE NOTE 2	.130±.006 (3.30±0.15)	.118 (3.00)	.148 (3.75)	
71743-1084	SEE NOTE 2	.125±.006 (3.18±0.15)	.118 (3.00)	.134 (3.40)	
71743-1083	SEE NOTE 2	.093±.006 (2.36±0.15)	.118 (3.00)	.125 (3.18)	
71743-1082	OBSOLETE				
71743-1081	SEE NOTE 2	.062±.006 (1.60±0.15)	.118 (3.00)	.110 (2.79)	
71743-1080	SEE NOTE 2	.093±.006 (2.36±0.15)	.118 (3.00)	.125 (3.18)	
PART NUMBER	PLATING	PCB THICKNESS	DIM. A	DIM. P	

I	REVISD ECN UCP2004-2082 RKADAMS 04/04/22
H	REVISD ECN UCP2003-0093 BBARKER 02/08/13
G	REVISD ECN UDT 2000-1231 ACHAMMER 00-06-07
F3	REVISD ECN UDT 1999-0975 ACHAMMER 99-05-11
F2	REVISD ECN UDT 1999-0865 ACHAMMER 99-04-09
F1	REVISD ECN UDT 1998-0294 STANISLA 98-06-10
F	REVISD PER ECN U80654 ACHAMMER 97-9-18
E	REVISD PER ECN U71495 ACHAMMER 97-6-2
DI	REVISD PER ECN U70444 ACHAMMER 96-11-26
D	REVISD PER ECN U61278 5-2-96 DGA
C	REVISD PER ECN U61122 3-22-96 RAN
B	REVISD PER ECN U60641 11-29-95 DRS
A	INITIAL RELEASE PER ECN U60019 8-15-95 RAN

DIMENSIONS SHOWN (METRIC) INCH UNLESS OTHERWISE SPECIFIED TOLERANCES: ANGULAR ± 1/2°		REVISE ONLY ON CAD SYSTEM	
3 PLACE ± .005	INCH	TITLE	
2 PLACE ± .01 ± 0.13	METRIC	SALES ASSEMBLY EBBI VERTICAL RECEPTACLE 80 CKT SCA-2 CONNECTOR	
1 PLACE --- ± 0.25		MOLEX INCORPORATED SHEET NO. DATE LITSE,ILL. 60532 U.S.A. 1 OF 2 7/21/95	
DRAFT WHERE APPLICABLE MUST REMAIN WITHIN DIMENSIONS		PART NO. DRWG. NO.	
DRWG. BY RAN CHK'D. BY RAN		SEE TABLE SDA-71743-108*	
APPR'D. BY GWF SCALE 4: 1		FILE NAME 571743XB	
		THIS DRAWING CONTAINS INFORMATION THAT IS PROPRIETARY TO MOLEX INC. AND SHOULD NOT BE USED WITHOUT WRITTEN PERMISSION	



DIMENSIONS SHOWN (METRIC) INCH		MFG. SH.		REV.		LTR.		REVISONS	
UNLESS OTHERWISE SPECIFIED TOLERANCES ANGULAR ± 1/2°		REVISIONS ONLY ON CAD SYSTEM							
TITLE		SALES ASSEMBLY							
3 PLACE ± .005		EBBI VERTICAL RECEPTACLE							
2 PLACE ± .01 ± 0.13		80 CKT VERTICAL SCA-2 CONNECTOR							
1 PLACE --- ± 0.25		FROM: MOLEX INCORPORATED		SHEET NO. 2		DATE 7/21/95		U.S.A.	
DRAFT WHERE APPLICABLE MUST REMAIN WITHIN DIMENSIONS		PART NO. SDA-71743-108		DRWG. NO.					
DRWG. BY RAN		CHK'D BY RAN		SCALE 4:1		SEE TABLE			
APP'D BY GWF		SCALE 4:1		DIV. C		THIS DRAWING CONTAINS INFORMATION THAT IS PROPRIETARY TO MOLEX INC. AND SHOULD NOT BE USED WITHOUT WRITTEN PERMISSION.			

F2 SEE SHEET 1