



Chipsmall Limited consists of a professional team with an average of over 10 year of expertise in the distribution of electronic components. Based in Hongkong, we have already established firm and mutual-benefit business relationships with customers from,Europe,America and south Asia,supplying obsolete and hard-to-find components to meet their specific needs.

With the principle of “Quality Parts,Customers Priority,Honest Operation,and Considerate Service”,our business mainly focus on the distribution of electronic components. Line cards we deal with include Microchip,ALPS,ROHM,Xilinx,Pulse,ON,Everlight and Freescale. Main products comprise IC,Modules,Potentiometer,IC Socket,Relay,Connector.Our parts cover such applications as commercial,industrial, and automotives areas.

We are looking forward to setting up business relationship with you and hope to provide you with the best service and solution. Let us make a better world for our industry!



Contact us

Tel: +86-755-8981 8866 Fax: +86-755-8427 6832

Email & Skype: info@chipsmall.com Web: www.chipsmall.com

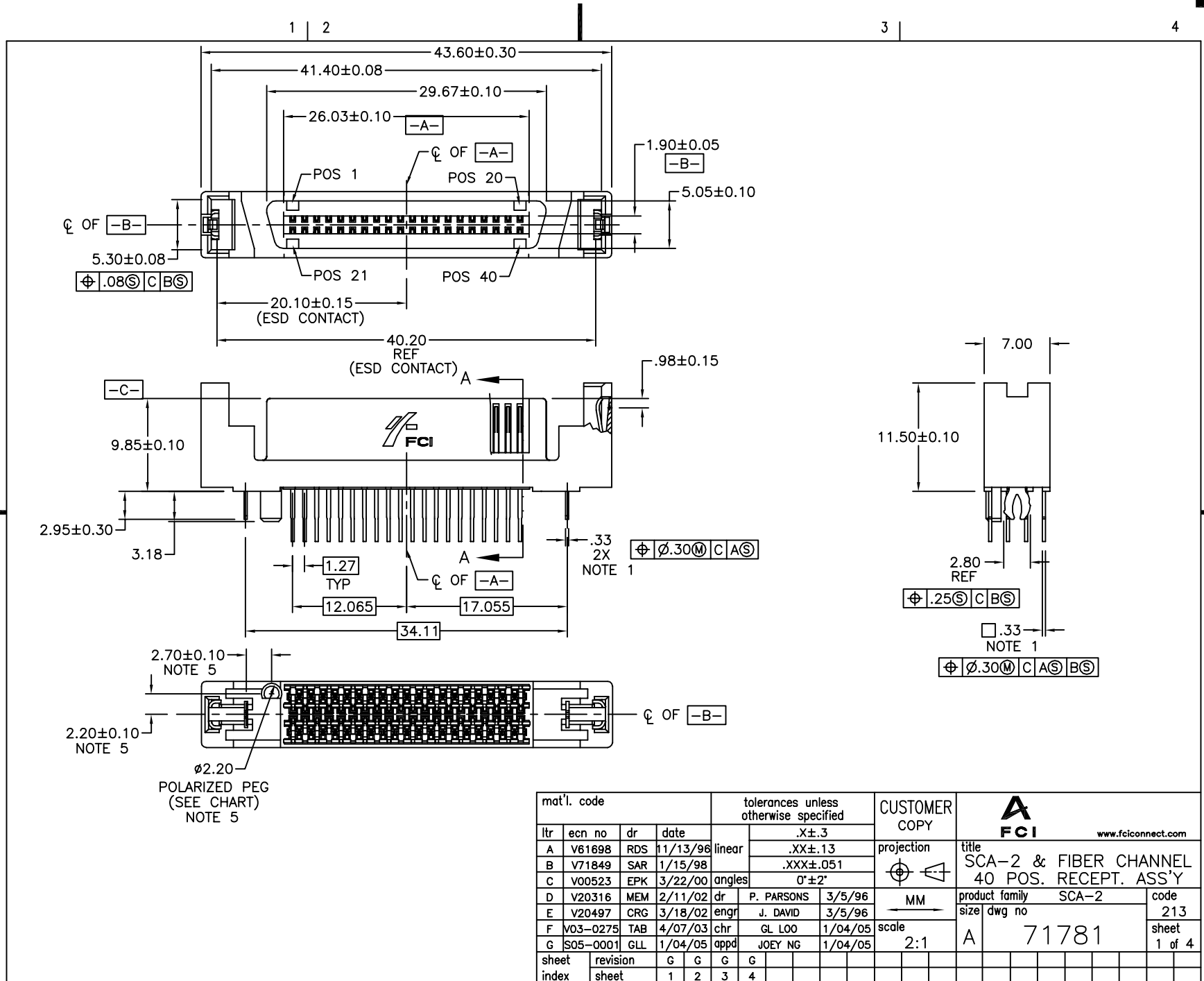
Address: A1208, Overseas Decoration Building, #122 Zhenhua RD., Futian, Shenzhen, China



Tous droits strictement reserves. Reproduction ou communication a des tiers interdite sous quelque forme que ce soit sans autorisation ecrite du proprietaire. Propriete de c FCI. Droits de reproduction FCI.



All rights strictly reserved. Reproduction or issue to third parties in any form whatever is not permitted without written authority from the proprietor. Property of FCI. Copyright FCI.



mat'l. code				tolerances unless otherwise specified			CUSTOMER COPY		 www.fciconnect.com	
ltr	ecn no	dr	date	linear	.X±.3			projection	title	
A	V61698	RDS	11/13/98		.XX±.13				SCA-2 & FIBER CHANNEL	
B	V71849	SAR	1/15/98	angles	.XXX±.051			40 POS. RECEPT. ASS'Y		
C	V00523	EPK	3/22/00		0°±2°			product family SCA-2		
D	V20316	MEM	2/11/02	dr	P. PARSONS	3/5/96	MM	size	code	
E	V20497	CRG	3/18/02	engr	J. DAVID	3/5/96		dwg no	213	
F	V03-0275	TAB	4/07/03	chr	GL L00	1/04/05	scale	71781		
G	S05-0001	GLL	1/04/05	appd	JOEY NG	1/04/05		sheet 1 of 4		
sheet	revision	G	G	G	G					
index	sheet	1	2	3	4					

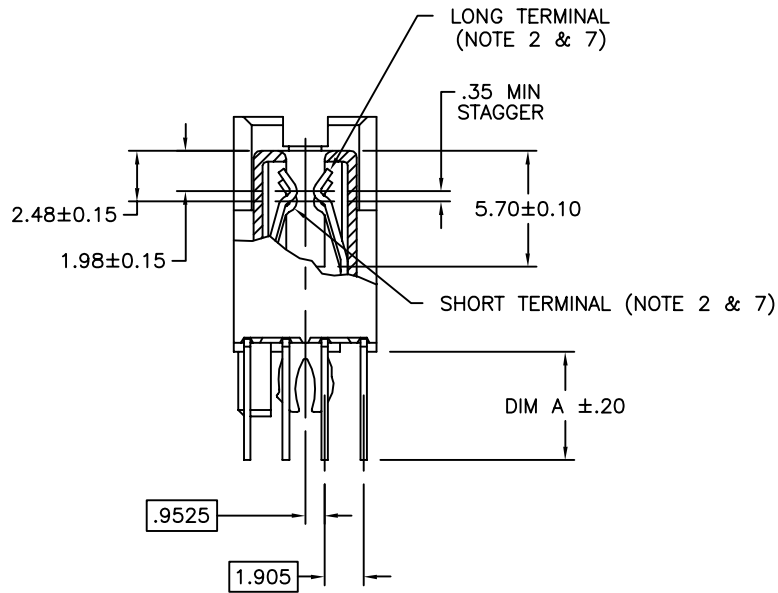
cage code 22526

ACAD

Tous droits strictement reserves. Reproduction ou communication a des tiers interdite sous quelque forme que ce soit sans autorisation ecrite du proprietaire. Propriete de c FCI. Droits de reproduction FCI.



All rights strictly reserved. Reproduction or issue to third parties in any form whatever is not permitted without written authority from the proprietor. Property of FCI. Copyright FCI.



SECTION A-A

mat'l. code		tolerances unless otherwise specified		CUSTOMER COPY		 www.fciconnect.com	
ltr	ecn no	dr	date	linear	.X±.3	projection	
G					.XX±.13		
					.XXX±.051		
				angles	0°±2°	 MM scale 3:1	title SCA-2 & FIBER CHANNEL 40 POS. RECEPT. ASS'Y product family SCA-2 size dwg no A 71781 code 213 sheet 2 of
		dr	P. PARSONS	3/5/96			
		enfr	J. DAVID	3/5/96			
		chr	GL L00	1/04/05			
		appd	JOEY NG	1/04/05			
sheet index	revision sheet						

cage code
22526

ACAD

PDM: Rev:G

STATUS: Released

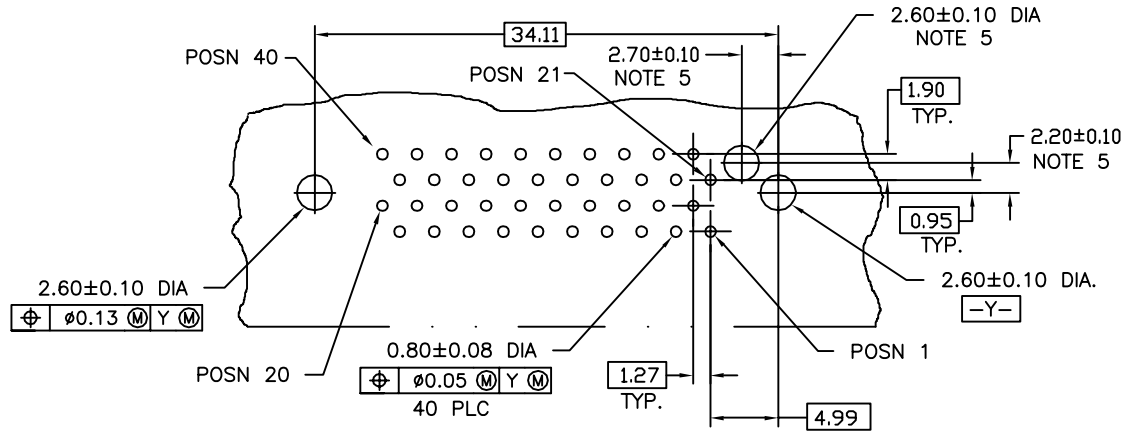
Printed: Mar 11, 2011

Tous droits strictement reserves. Reproduction ou communication a des tiers interdite sous quelque forme que ce soit sans autorisation ecrite du proprietaire. Propriete de c FCI. Droits de reproduction FCI.

FCI

All rights strictly reserved. Reproduction or issue to third parties in any form whatever is not permitted without written authority from the proprietor. Property of FCI. Copyright FCI.

PRODUCT NO.	"A" DIM	POLARIZATION PEG	RECOMMENDED P.C. BOARD THICKNESS	PLATING	CONTACT POSITIONS
71781-001	2.79	YES	1.57mm (0.062")	SEE NOTE 4	SEE NOTE 2
-002	2.79	NO			
-003	3.18	YES			
-004	3.18	NO	2.36mm (0.093")		
-005	4.06	YES			
-006	4.06	NO			
71781-007	3.18	YES	SEE NOTE 4	SEE NOTE 7	
71781-101	2.79	YES	SEE NOTE 6	SEE NOTE 2	
-102	2.79	NO			
-103	3.18	YES			
-104	3.18	NO			
-105	4.06	YES			
71781-106	4.06	NO	3.18mm (0.125")		



RECOMMENDED PC BOARD MOUNTING DIMENSIONS COMPONENT SIDE

NOTES :

- TRUE POSITION NOTES APPLY AT TERMINAL TIP.
- CONTACTS IN POSITIONS 1 THRU 20,24,25,27,28, 30, 31, 33, AND 34 ARE SHORT TERMINALS. CONTACTS IN POSITIONS 21, 22, 23, 26, 29, 32, AND 35 THRU 40 ARE LONG TERMINALS.
- RAW MATERIALS:
HOUSING: HTN, UL94V-0, COLOR: BLACK
CONTACTS: PHOSPHOR-BRONZE
- CONTACT PLATING: 30u" (0.76um) MIN. GXT PLATING OVER 50u" (1.27um) NICKLE MIN. UNDERPLATE IN CONTACT AREA. 100u" (2.54um) MIN. TIN-LEAD PLATING OVER 50u" (1.27um) MIN. NICKLE UNDERPLATE IN P.C. BOARD LEG AREA. 50u" (1.27um) MIN. NICKLE UNDERPLATE OVER REMAINING AREA.
- DIMENSIONS DO NOT APPLY TO CONNECTOR STYLES WITHOUT POLARIZATION PEG. (SEE CHART)
- CONTACT PLATING: 30u" (0.76um) MIN. GOLD PLATING OVER 50u" (1.27um) NICKLE MIN. UNDERPLATE IN CONTACT AREA. 100u" (2.54um) MIN. TIN-LEAD PLATING OVER 50u" (1.27um) MIN. NICKLE UNDERPLATE IN P.C. BOARD LEG AREA. 50u" (1.27um) MIN. NICKLE UNDERPLATE OVER REMAINING AREA.
- CONTACTS IN POSITIONS 1 THRU 21, 24, 25, 30-32, 35 & 40 ARE LONG TERMINALS. CONTACTS IN POSITIONS 22, 23, 26, 27, 28, 29, 33, 34, 36-39 ARE SHORT TERMINALS.

mat'l. code		tolerances unless otherwise specified		CUSTOMER COPY		FCI www.fciconnect.com	
ltr	ecn no	dr	date	linear	.X±.3	projection	title
G				linear	.XX±.13		SCA-2 & FIBER CHANNEL
				angles	.XXX±.051		40 POS. RECEPT. ASS'Y
				dr	P. PARSONS 3/5/96	MM	product family
				engr	J. DAVID 3/5/96		SCA-2
				chr	GL L00 1/04/05	scale	code
				appd	JOEY NG 1/04/05	2:1	213
sheet index	revision sheet						size
							dwg no
							A 71781
							sheet
							3 of

cage code 22526

ACAD

PDM: Rev:G

STATUS: Released

Printed: Mar 11, 2011

Tous droits strictement reserves. Reproduction ou communication a des tiers interdite sous quelque forme que ce soit sans autorisation ecrite du proprietaire. Propriete de c FCI. Droits de reproduction FCI.



All rights strictly reserved. Reproduction or issue to third parties in any form whatever is not permitted without written authority from the proprietor. Property of FCI. Copyright FCI.

PRODUCT NO.	"A" DIM	POLARIZATION PEG	RECOMMENDED P.C. BOARD THICKNESS	PLATING	CONTACT POSITIONS
71781-001LF	2.79	YES	1.57mm (0.062")	SEE NOTE 9	SEE NOTE 2
-002LF	2.79	NO			
-003LF	3.18	YES	2.36mm (0.093")		
-004LF	3.18	NO			
-005LF	4.06	YES	3.18mm (0.125")		
-006LF	4.06	NO			
71781-007LF	3.18	YES	2.36mm (0.093")	SEE NOTE 9	SEE NOTE 7
71781-101LF	2.79	YES	1.57mm (0.062")	SEE NOTE 8	SEE NOTE 2
-102LF	2.79	NO			
-103LF	3.18	YES	2.36mm (0.093")		
-104LF	3.18	NO			
-105LF	4.06	YES	3.18mm (0.125")		
71781-106LF	4.06	NO			

NOTES :

- ⑧ CONTACT PLATING: 30u" (0.76um) MIN. GOLD PLATING OVER 50u" (1.27um) NICKLE MIN. UNDERPLATE IN CONTACT AREA. 100u" (2.54um) - 200u" (5.08um) TIN PLATING OVER 50u" (1.27um) - 100u" (2.54um) NICKEL UNDERPLATE IN P.C. BOARD LEG AREA. 50u" (1.27um) NICKEL UNDERPLATE OVER REMAINING AREA.
- ⑨ CONTACT PLATING: 30u" (0.76um) MIN. GXT PLATING OVER 50u" (1.27um) NICKLE MIN. UNDERPLATE IN CONTACT AREA. 100u" (2.54um) - 200u" (5.08um) TIN PLATING OVER 50u" (1.27um) - 100u" (2.54um) NICKLE UNDERPLATE IN P.C. BOARD LEG AREA. 50u" (1.27um) NICKLE UNDERPLATE OVER REMAINING AREA.
- ⑩ THE HOUSING WILL WITHSTAND EXPOSURE TO 260°C PEAK TEMPERATURE FOR 10 SECONDS IN A WAVE SOLDER APPLICATION WITH A 1.57mm MINIMUM THICK CIRCUIT BOARD.
- ⑪ THIS PRODUCT MEETS EUROPEAN UNION DIRECTIVES AND OTHER COUNTRY REGULATIONS AS DESCRIBED IN GS-22-008.

mat'l. code				tolerances unless otherwise specified		CUSTOMER COPY		 www.fciconnect.com		
ltr	ecn no	dr	date	linear	.X±.3		projection	title		
G					.XX±.13				SCA-2 & FIBER CHANNEL	
					.XXX±.051				40 POS. RECEPT. ASS'Y	
				angles	0°±2°		 MM	product family SCA-2		
				dr	P. PARSONS	3/5/96		scale	code	
				enfr	J. DAVID	3/5/96			213	
				chr	GL L00	1/04/05			sheet	
				appd	JOEY NG	1/04/05	4 of 4			
sheet index	revision sheet									

cage code 22526

ACAD

PDM: Rev:G

STATUS: Released

Printed: Mar 11, 2011