



Chipsmall Limited consists of a professional team with an average of over 10 year of expertise in the distribution of electronic components. Based in Hongkong, we have already established firm and mutual-benefit business relationships with customers from,Europe,America and south Asia,supplying obsolete and hard-to-find components to meet their specific needs.

With the principle of “Quality Parts,Customers Priority,Honest Operation,and Considerate Service”,our business mainly focus on the distribution of electronic components. Line cards we deal with include Microchip,ALPS,ROHM,Xilinx,Pulse,ON,Everlight and Freescale. Main products comprise IC,Modules,Potentiometer,IC Socket,Relay,Connector.Our parts cover such applications as commercial,industrial, and automotives areas.

We are looking forward to setting up business relationship with you and hope to provide you with the best service and solution. Let us make a better world for our industry!



## Contact us

Tel: +86-755-8981 8866 Fax: +86-755-8427 6832

Email & Skype: info@chipsmall.com Web: www.chipsmall.com

Address: A1208, Overseas Decoration Building, #122 Zhenhua RD., Futian, Shenzhen, China



PRODUCT NUMBER

71918-YXXZZLF

RoHS COMPATIBLE, SEE NOTE 10

S= SPECIFIC CUSTOMER PLATING OPTION.

COLOR OPTION, SEE NOTE 1

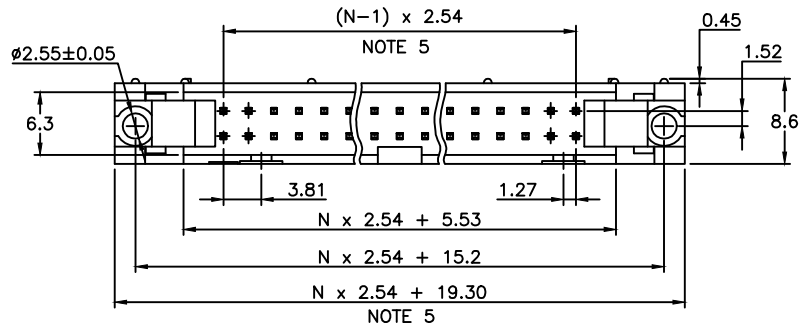
TOTAL NB OF POSITIONS, SEE SHEET 2

LATCHING

0= WITHOUT LATCH

1= STANDARD LATCH

2= LOW PROFILE LATCH



NOTES:

1 - HOUSING MATERIAL: GLASS FILLED THERMOPLASTIC UL94V-0  
 = STANDARD COLOR GREY  
 B = OPTION COLOR BLACK

2 - PIN MATERIAL : PHOSPHOR BRONZE

3 - PRODUCT PACKAGED IN TUBES

4 - 40N MIN LATCH RETENTION FORCE  
 AT FIRST EXTRACTION

5 - TO DETERMINE DIMENSIONS :  
 N = NUMBER OF POSITIONS PER ROW  
 EXAMPLE : 8 POS  $N \times 2.54 = 20.32\text{mm}$

6 - NO CENTRAL SLOT ON POSITIONS 6 & 8

7 - NO LEFT POLARIZATION ON POSITIONS 06, 08, 10, 14.

8 - NO GROOVE ON POSITIONS 06, 08, 10, 14, 30, 34

9 - 4.5mm SOLDER TAIL  
 ORDER 71918-4XX (WITH STANDARD LATCH ONLY)

10 - RoHS COMPATIBLE PRODUCT SPECIFICATIONS

a - PLATING:

- "LF" MEANS THE PRODUCT IS LEAD-FREE,  
 2 $\mu\text{m}$  MINIMUM MATTE TIN OVER 1.27 $\mu\text{m}$   
 MINIMUM NICKEL UNDERPLATE.

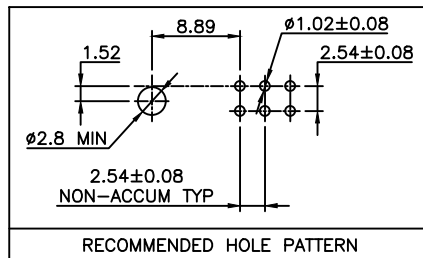
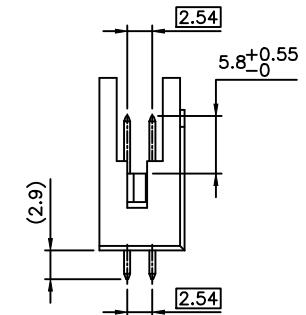
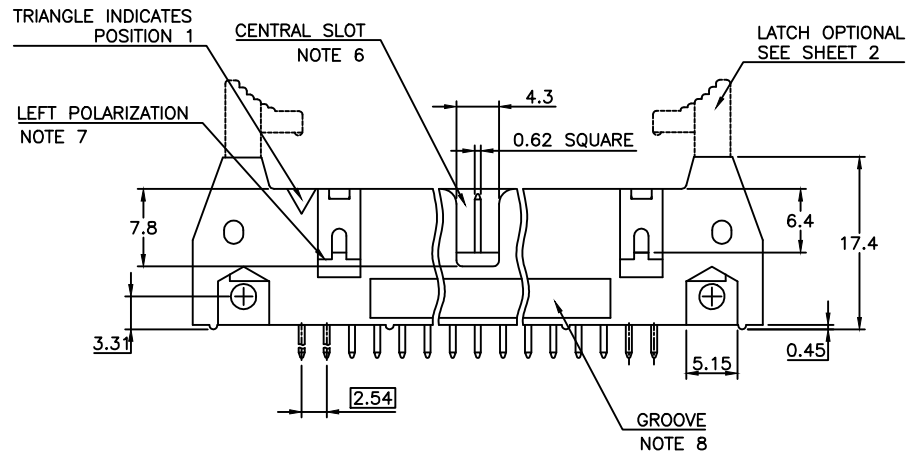
b - MANUFACTURING PROCESS COMPATIBILITY

- THE HOUSING WILL WITHSTAND EXPOSURE TO  
 260°C  $\pm 5^\circ\text{C}$  SOLDER BATH TEMPERATURE FOR  
 5 SECONDS IN A WAVE SOLDER APPLICATION  
 WITH A 1.6mm MIN THICK CIRCUIT BOARD.

c - LABELING:

- MEETS PACKAGING SPECS AS PER GS-14-920

d - LEGAL STATEMENT: SEE GS-47-0004.



RECOMMENDED HOLE PATTERN

mat'l. code		surface		tolerance		projection		product family	
SEE NOTES		ISO 1302		ISO 406 ISO 1101		mm		QUICKIE	
ltr	ecn no	dr	date	tolerances unless otherwise specified		mm		title	
Y	F12-0838	LMU	12.12.06	angles	linear	.X $\pm 0.3$		SHR.EL.HEADER	
AA	B-16776	LMU	14.01.23			.XX $\pm 0.13$		STR DR TMT	
AB	B-17853	LMU	14.06.05			.XXX $\pm 0.05$		scale 2:1	
AC	B-19091	LMU	14.10.16	dr	D.LE	01.01.24		dwg no	
AD	B-20412	BVE	15.03.10	engr	JM.C	01.01.24		sheet 1 of 2	
AE	F-23514	LMU	16.03.14	chr	JF.N	01.01.24		71918	
				appd	JM.C	01.01.24		A3	
sheet		revision		AE		Y		type	
index		sheet		1		2		CUSTOMER Drawing	



Copyright FCI

PRODUCT NUMBER	SIZE	LATCHING AVAILABILITY	MISSING PIN POSITIONS
71918-X06(B)LF	2x3	0/1/2	
71918-X08(B)LF	2x4	0/1/2	
71918-X10(B)LF	2x5	0/1/2	
71918-X14(B)LF	2x7	0/1/2	
71918-X16(B)LF	2x8	0/1/2	
71918-X18(B)LF	2x9	0/1/2	
71918-X20(B)LF	2x10	0/1/2	
71918-X26(B)LF	2x13	0/1/2	
71918-X27(B)LF	2x13	0/1/2	PIN 21 & 22
71918-X28(B)LF	2x13	0/1/2	PIN 5 to 12
71918-X30(B)LF	2x15	0/1/2	
71918-X34(B)LF	2x17	0/1/2	
71918-X35(B)LF	2x17	0/1/2	PIN 2 & 3
71918-X40(B)LF	2x20	0/1/2	
71918-X44(B)LF	2x22	0/1/2	
71918-X45(B)LF	2x22	0/1/2	PIN 9;10;23;24
71918-X50(B)LF	2x25	0/1/2	
71918-X51(B)LF	2x25	0/1/2	PIN 39 to 46
71918-X60(B)LF	2x30	0/1/2	
71918-X64(B)LF	2x32	0/1/2	

PLATING :

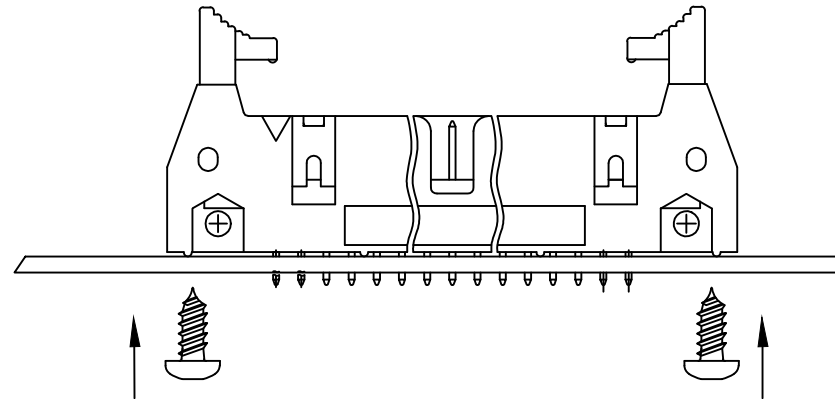
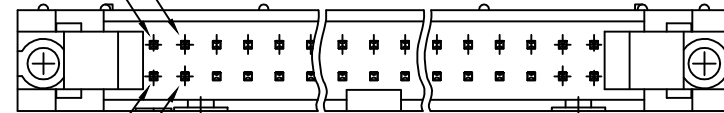
- 0.76µm GOLD/GXT (PdNi WITH GOLD FLASH) ON CONTACT AREA
- 2µm MIN MATTE TIN ON TAIL
- UNDERPLATE : 1.27µm Ni MIN

PIN 4 PIN POSITION INDICATION FOR POLARIZED VERSIONS

PIN 2

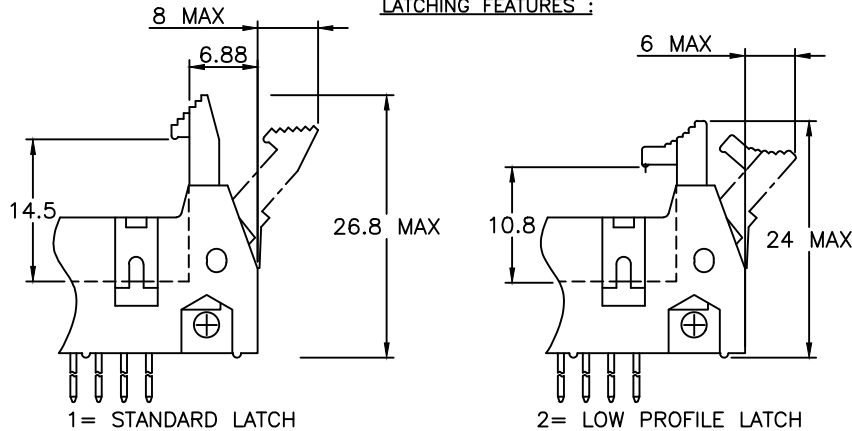
PIN 1

PIN 3



WHEN THE CONNECTORS NEED TO BE FIXED ON THE PCB'S THE STAINLESS SCREWS REF TC POZI DIN7981 Ø2.9 X 6.5MM TO BE USED

LATCHING FEATURES :



mat'l. code		surface		tolerance		projection		product family	
		ISO 1302 ✓		ISO 406 ISO 1101		mm		QUICKIE	
ltr		ecn no		dr		date		title	
Y		F-23514		LMU		16.03.14		SHR.EL.HEADER	
				angles		linear		STR DR TMT	
T		F12-001		LMU		12.02.06		scale 2:1	
U		F12-0838		LMU		12.12.06		dr	
V		B-16776		LMU		14.01.23		engr	
W		B-19091		LMU		14.10.16		chr	
X		B-20412		BVE		15.03.10		appd	
sheet		revision							
index		sheet							



Copyright FCI