



Chipsmall Limited consists of a professional team with an average of over 10 year of expertise in the distribution of electronic components. Based in Hongkong, we have already established firm and mutual-benefit business relationships with customers from,Europe,America and south Asia,supplying obsolete and hard-to-find components to meet their specific needs.

With the principle of “Quality Parts,Customers Priority,Honest Operation,and Considerate Service”,our business mainly focus on the distribution of electronic components. Line cards we deal with include Microchip,ALPS,ROHM,Xilinx,Pulse,ON,Everlight and Freescale. Main products comprise IC,Modules,Potentiometer,IC Socket,Relay,Connector.Our parts cover such applications as commercial,industrial, and automotives areas.

We are looking forward to setting up business relationship with you and hope to provide you with the best service and solution. Let us make a better world for our industry!



Contact us

Tel: +86-755-8981 8866 Fax: +86-755-8427 6832

Email & Skype: info@chipsmall.com Web: www.chipsmall.com

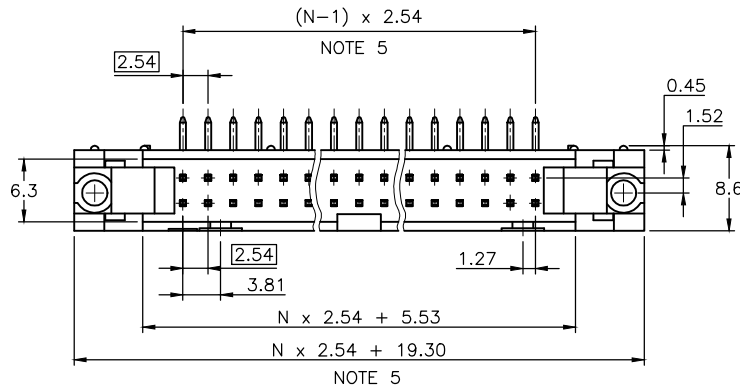
Address: A1208, Overseas Decoration Building, #122 Zhenhua RD., Futian, Shenzhen, China



PRODUCT NUMBER

71922-YXXZLF

- RoHS COMPATIBLE, SEE NOTE 10
- = STANDARD HOUSING COLOR GREY (WITHOUT OPTIONAL LETTER)
- B= OPTIONAL HOUSING COLOR BLACK
- S= SPECIFIC CUSTOMER PLATING OPTION HOUSING COLOR GREY
- TOTAL NB OF POSITIONS, SEE SHEET 2
- LATCHING
 - 0= WITHOUT LATCH
 - 1= STANDARD LATCH
 - 2= LOW PROFILE LATCH



NOTES:

- 1 - HOUSING MAT'L : GLASS FILLED THERMOPLASTIC. UL94V-0
- 2 - PIN MATERIAL : PHOSPHOR BRONZE
- 3 - PRODUCT PACKAGED IN TUBES
- 4 - 40N MIN LATCH RETENTION FORCE AT FIRST EXTRACTION
- 5 - TO DETERMINE DIMENSIONS :
N = NUMBER OF POSITIONS PER ROW
EXAMPLE : 8 POS N x 2.54 = 20.32mm
- 6 - NO CENTRAL SLOT ON POSITIONS 6 & 8
- 7 - NO LEFT POLARIZATION ON POSITIONS 06, 08, 10, 14.
- 8 - NO GROOVE ON POSITIONS 06, 08, 10, 14, 30, 34
- 9 - 4.5mm SOLDER TAIL
ORDER 71922-4XX (WITH STANDARD LATCH ONLY)
ORDER 71922-5XX (WITH LOW PROFILE LATCH ONLY)
- 10 - RoHS COMPATIBLE PRODUCT SPECIFICATIONS

a - PLATING:

- "LF" MEANS THE PRODUCT IS LEAD-FREE, 2µm MINIMUM MATTE TIN OVER 1.27µm MINIMUM NICKEL UNDERPLATE.

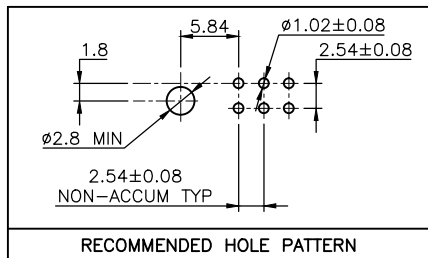
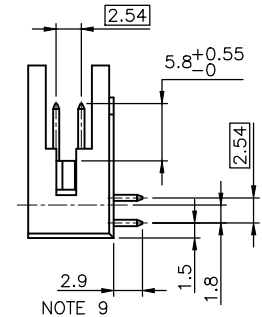
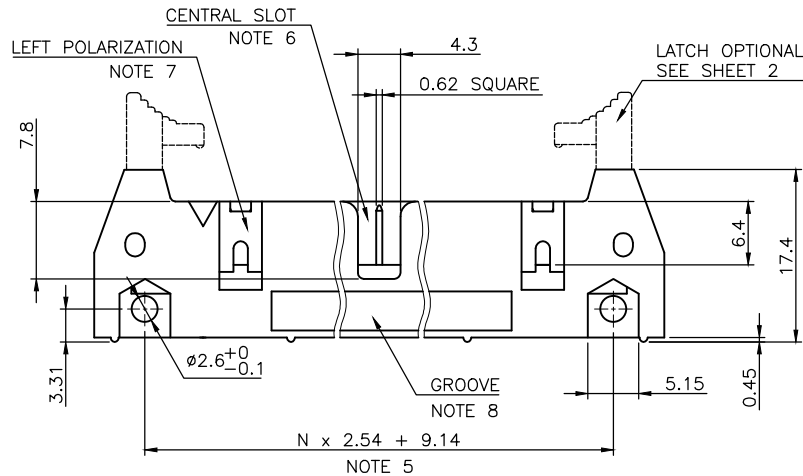
b - MANUFACTURING PROCESS COMPATIBILITY

- THE HOUSING WILL WITHSTAND EXPOSURE TO 260°C ±5°C SOLDER BATH TEMPERATURE FOR 5 SECONDS IN A WAVE SOLDER APPLICATION WITH A 1.6mm MIN THICK CIRCUIT BOARD.

c - LABELING:

- MEETS PACKAGING SPECS AS PER GS-14-920

d - LEGAL STATEMENT: SEE GS-47-0004.

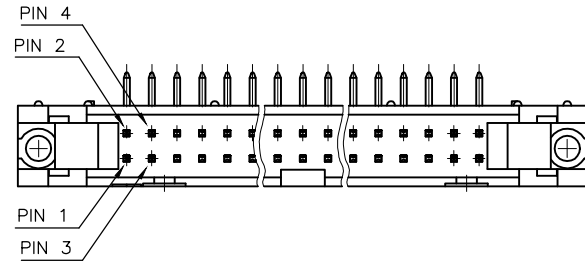


mat'l. code		surface		tolerance		projection		product family	
SEE NOTES		ISO 1302 ✓		ISO 406 ISO 1101		mm		QUICKIE	
ltr	ecn no dr	date		tolerances unless otherwise specified		mm		title	
V	F10-0054	LMU	10.05.19	.XX ±0.3		mm		SHR, EL. HEADER	
W	B-16776	LMU	14.01.23	.XX ±0.13		mm		RA DR TMT	
X	B-18018	JCO	14.06.19	.XXX ±0.05		scale 2:1		dwg no	
Y	B-18236	LMU	14.07.08	dr	D.LE	01.01.24	sheet 1 of 2		
AA	B-19092	LMU	14.10.16	engr	JM.C	01.01.24	size		
AB	B-20349	BVE	15.03.02	chr	JF.N	01.01.24	71922		
				appd	JM.C	01.01.24	A3		
sheet index	revision	AB	T						
	sheet	1	2						

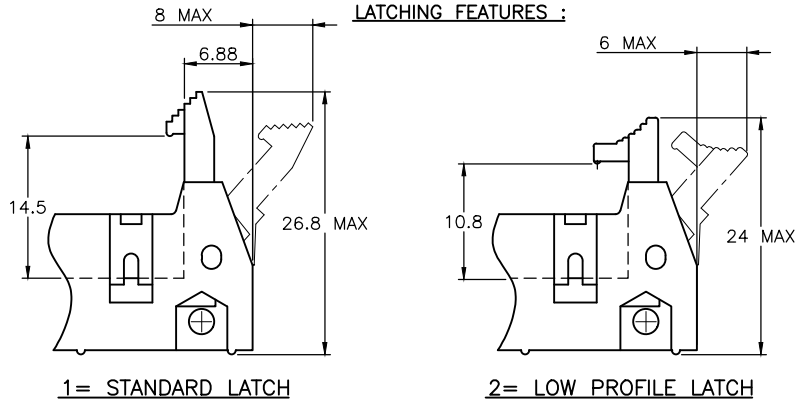
PRODUCT NUMBER	SIZE	LATCHING AVAILABILITY	MISSING PIN POSITIONS
71922-X06(B)LF	2x3	0/1/2	
71922-X08(B)LF	2x4	0/1/2	
71922-X10(B)LF	2x5	0/1/2	
71922-X14(B)LF	2x7	0/1/2	
71922-X16(B)LF	2x8	0/1/2	
71922-X18(B)LF	2x9	0/1/2	
71922-X20(B)LF	2x10	0/1/2	
71922-X26(B)LF	2x13	0/1/2	
71922-X28(B)LF	2x13	0/1/2	PIN 5 TO 12
71922-X30(B)LF	2x15	0/1/2	
71922-X34(B)LF	2x17	0/1/2	
71922-X35(B)LF	2x17	0/1/2	PIN 2 & 3
71922-X39(B)LF	2x20	0/1/2	PIN 20
71922-X40(B)LF	2x20	0/1/2	
71922-X44(B)LF	2x22	0/1/2	
71922-X50(B)LF	2x25	0/1/2	
71922-X60(B)LF	2x30	0/1/2	
71922-X64(B)LF	2x32	0/1/2	

PLATING :

- 0.76µm GOLD/GXT (PdNi WITH GOLD FLASH) ON CONTACT AREA
- 2µm MIN MATTE TIN ON TAIL
- UNDERPLATE : 1.27µm Ni MIN



LATCHING FEATURES :



mat'l. code		surface ISO 1302 ✓ ISO 406 ISO 1101		tolerance tolerances unless otherwise specified		projection mm		product family QUICKIE	
ltr	ecn no	dr	date	angles		linear		title SHR.EL.HEADER RA DR TMT	
M	F06-0229	LMU	06.07.17					scale 2:1	
N	F07-0195	LMU	07.05.25					dwg no 71922	
P	F08-0146	YOV	08.04.11					sheet 2 of - size A3	
R	B-16776	LMU	14.01.23	dr	D.LE	01.01.24	FCJ		type CUSTOMER Drawing
S	B-19092	LMU	14.10.16	engr	JM.C	01.01.24			
T	B-20349	BVE	15.03.02	chr	JF.N	01.01.24			
				appd	JM.C	01.01.24			
sheet index	revision sheet								