



Chipsmall Limited consists of a professional team with an average of over 10 year of expertise in the distribution of electronic components. Based in Hongkong, we have already established firm and mutual-benefit business relationships with customers from,Europe,America and south Asia,supplying obsolete and hard-to-find components to meet their specific needs.

With the principle of “Quality Parts,Customers Priority,Honest Operation,and Considerate Service”,our business mainly focus on the distribution of electronic components. Line cards we deal with include Microchip,ALPS,ROHM,Xilinx,Pulse,ON,Everlight and Freescale. Main products comprise IC,Modules,Potentiometer,IC Socket,Relay,Connector.Our parts cover such applications as commercial,industrial, and automotives areas.

We are looking forward to setting up business relationship with you and hope to provide you with the best service and solution. Let us make a better world for our industry!



Contact us

Tel: +86-755-8981 8866 Fax: +86-755-8427 6832

Email & Skype: info@chipsmall.com Web: www.chipsmall.com

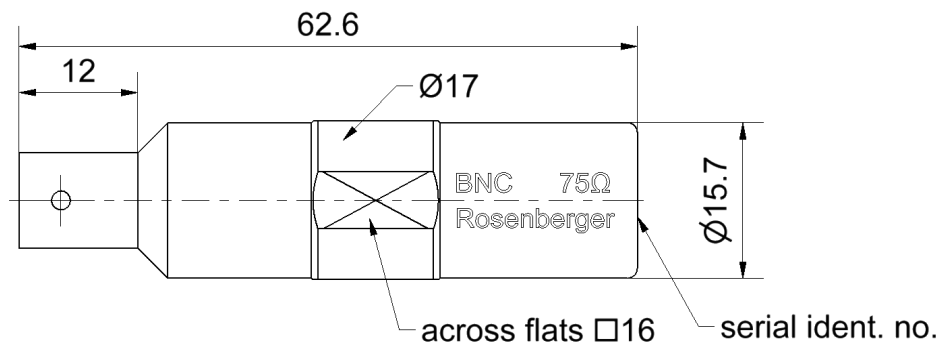
Address: A1208, Overseas Decoration Building, #122 Zhenhua RD., Futian, Shenzhen, China



BNC
75 Ω

Calibration Load
Jack

71K170-C10S3



All dimensions are in mm; tolerances according to ISO 2768 m-H

Interface

According to

IEC 61169-8, MIL-PRF-39012, CECC 22120

Documents

Application note

AN001 "Calibration Services"

Material and plating

Connector parts

Center conductor
Outer conductor
Dielectric
Substrate

Material

CuBe
Stainless steel
PS
Al₂O₃

Plating

Gold, min. 1.27 μm, over nickel
Passivated

BNC
75 Ω

Calibration Load
Jack

71K170-C10S3

Electrical data

Frequency range	DC to 4 GHz
Return loss	≥ 35 dB, DC to 2 GHz ≥ 30 dB, 2 GHz to 4 GHz
Power handling	≤ 0.5 W

Mechanical data

Mating cycles	≥ 500
Gauge	5.21 mm to 5.28 mm

General standard definitions

For proper operation the vector network analyzer (VNA) needs a model describing the electrical behaviour of this calibration standard. The different models, units, and terms used will depend on the VNA type and they will have to be entered into the VNA. All values are based on typical geometry and plating.

Offset Z_o / Impedance / Z_o	75 Ω
Offset Delay	0.0000 ps
Length (electrical) / Offset Length	0.000 mm
Offset Loss	0.00 GΩ/s
Loss	0.0000 dB/√GHz

Environmental data

Operating temperature range ¹	+20 °C to +26 °C
Rated temperature range of use ²	0 °C to +50 °C
Storage temperature range	-40 °C to +85 °C

RoHS compliant

¹ Temperature range over which these specifications are valid.

² This range is underneath and above the operating temperature range, within the open circuit is fully functional and could be used without damage.

Technical Data Sheet

Rosenberger

BNC
75 Ω

Calibration Load
Jack

71K170-C10S3

Declaration of calibration options

Factory Calibration

Standard delivery for this calibration standard includes a Factory Calibration. The Calibration Certificate issued reports individual calibration results, **traceable to Rosenberger standards**, national / international standards are not available. Model based standard definitions are reported in an Agilent/Keysight, Rohde & Schwarz and Anritsu compatible VNA format.

Accredited Calibration

Not available.

For further, more detailed information see application note AN001 on the Rosenberger homepage.

Calibration interval

Recommendation 12 months

Packing

Standard 1 pce in box
Weight 56 g/pce

While the information has been carefully compiled to the best of our knowledge, nothing is intended as representation or warranty on our part and no statement herein shall be construed as recommendation to infringe existing patents. In the effort to improve our products, we reserve the right to make changes judged to be necessary.

Draft	Date	Approved	Date	Rev.	Engineering change number	Name	Date
Kerstin Hobrak	03.09.09	Herbert Babinger	16.09.15	c00	14-1492	Maik Knoll	16.09.15

Rosenberger Hochfrequenztechnik GmbH & Co. KG P.O.Box 1260 D-84526 Tittmoning Germany www.rosenberger.de	Tel. : +49 8684 18-0 Fax : +49 8684 18-1499 Email : info@rosenberger.de	Page 3 / 3
--	--	---------------