



Chipsmall Limited consists of a professional team with an average of over 10 year of expertise in the distribution of electronic components. Based in Hongkong, we have already established firm and mutual-benefit business relationships with customers from,Europe,America and south Asia,supplying obsolete and hard-to-find components to meet their specific needs.

With the principle of “Quality Parts,Customers Priority,Honest Operation,and Considerate Service”,our business mainly focus on the distribution of electronic components. Line cards we deal with include Microchip,ALPS,ROHM,Xilinx,Pulse,ON,Everlight and Freescale. Main products comprise IC,Modules,Potentiometer,IC Socket,Relay,Connector.Our parts cover such applications as commercial,industrial, and automotives areas.

We are looking forward to setting up business relationship with you and hope to provide you with the best service and solution. Let us make a better world for our industry!



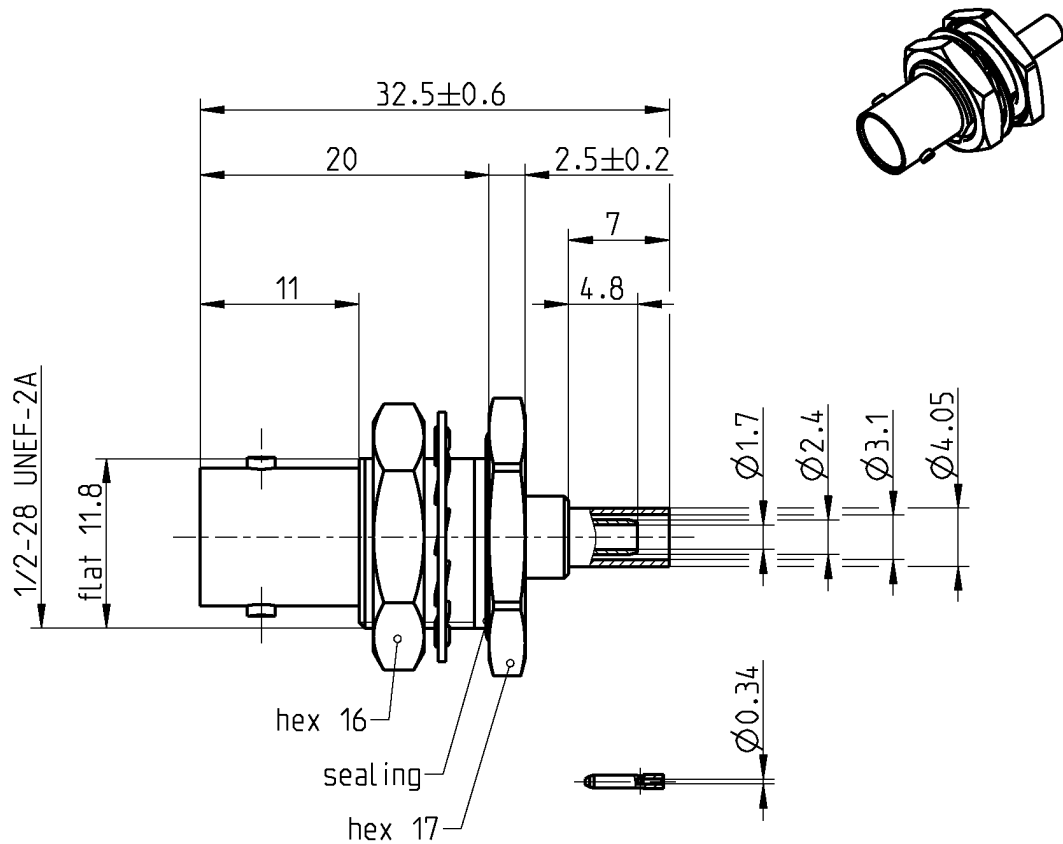
Contact us

Tel: +86-755-8981 8866 Fax: +86-755-8427 6832

Email & Skype: info@chipsmall.com Web: www.chipsmall.com

Address: A1208, Overseas Decoration Building, #122 Zhenhua RD., Futian, Shenzhen, China





All dimensions are in mm; tolerances according to ISO 2768 m-H

Interface

Compatible to IEC 60169-8, MIL-PRF-39012, CECC 22120

Documents

Assembly instruction 51 T
Panel piercing B 3

Material and plating

Connector parts

| Connector parts | Material | Plating |
|------------------|------------------|--|
| Center contact | Beryllium copper | AuroDur, gold plated |
| Outer contact | Brass | Flash white bronze over silver(e.g. Optargen®) |
| Body | Brass | Flash white bronze over silver(e.g. Optargen®) |
| Dielectric | PTFE | |
| Gasket | Silicone | |
| Crimping ferrule | Copper | Flash white bronze over silver(e.g. Optargen®) |

BNC 75
Ω

BULKHEAD JACK

71K607-802N5

Electrical data

| | |
|--|--|
| Impedance | 75 Ω |
| Frequency | DC to 4 GHz |
| Return loss | ≥ 30 dB, DC to 1 GHz ≥ 23 dB, 1 to 2 GHz ≥ 18 dB, 2 to 4 GHz |
| Insertion loss | ≤ 0.05 x √ f [GHz] dB |
| Insulation resistance | ≥ 5 x10 ³ MΩ |
| Center contact resistance | ≤ 1.5 mΩ |
| Outer contact resistance | ≤ 1 mΩ |
| Test voltage | 1500 V rms |
| Working voltage | 400 V rms |
| Power handling (at 20 °C, sea level, VSWR 1.0) | ≤ 80 W @ 2 GHz |

- Limitations are possible due to the used cable type -

Mechanical data

| | |
|-----------------------------------|----------|
| Mating cycles | min. 500 |
| Center contact captivation: axial | ≥ 15 N |

Environmental data

| | |
|---------------------|---------------------------------|
| Temperature range | -55°C to +155°C |
| Thermal shock | MIL-STD-202, Meth. 107, Cond. B |
| Corrosion | MIL-STD-202, Meth. 101, Cond. B |
| Vibration | MIL-STD-202, Meth. 204, Cond. B |
| Shock | MIL-STD-202, Meth. 213, Cond. G |
| Moisture resistance | MIL-STD-202, Meth. 106 |
| RoHS | compliant |

Tooling

| | |
|---------------|------------|
| Crimping tool | 11W150-000 |
| Crimp insert | 11W150-402 |

Suitable cables

RG 179 B/U, RG 187 A/U

Weight

| | |
|--------|------------|
| Weight | 17.1 g/pce |
|--------|------------|

While the information has been carefully compiled to the best of our knowledge, nothing is intended as representation or warranty on our part and no statement herein shall be construed as recommendation to infringe existing patents. In the effort to improve our products, we reserve the right to make changes judged to be necessary.

| Draft | Date | Approved | Date | Rev. | Engineering change number | Name | Date |
|--|---------|-------------------|----------|------|--|-----------|---------------|
| T. Höher | 16/0710 | Sa. Krautenbacher | 24.03.14 | b00 | 14-0352 | T. Krojer | 24.03.14 |
| Rosenberger Hochfrequenztechnik GmbH & Co. KG P.O.Box 1260 D-84526 Tittmoning Germany www.rosenberger.de | | | | | Tel.: +49 8684 18-0 Fax: +49 8684 18-499 email: info@rosenberger.de | | Page 2 / 2 |