



Chipsmall Limited consists of a professional team with an average of over 10 year of expertise in the distribution of electronic components. Based in Hongkong, we have already established firm and mutual-benefit business relationships with customers from,Europe,America and south Asia,supplying obsolete and hard-to-find components to meet their specific needs.

With the principle of “Quality Parts,Customers Priority,Honest Operation,and Considerate Service”,our business mainly focus on the distribution of electronic components. Line cards we deal with include Microchip,ALPS,ROHM,Xilinx,Pulse,ON,Everlight and Freescale. Main products comprise IC,Modules,Potentiometer,IC Socket,Relay,Connector.Our parts cover such applications as commercial,industrial, and automotives areas.

We are looking forward to setting up business relationship with you and hope to provide you with the best service and solution. Let us make a better world for our industry!



## Contact us

Tel: +86-755-8981 8866 Fax: +86-755-8427 6832

Email & Skype: info@chipsmall.com Web: www.chipsmall.com

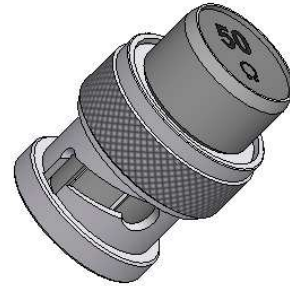
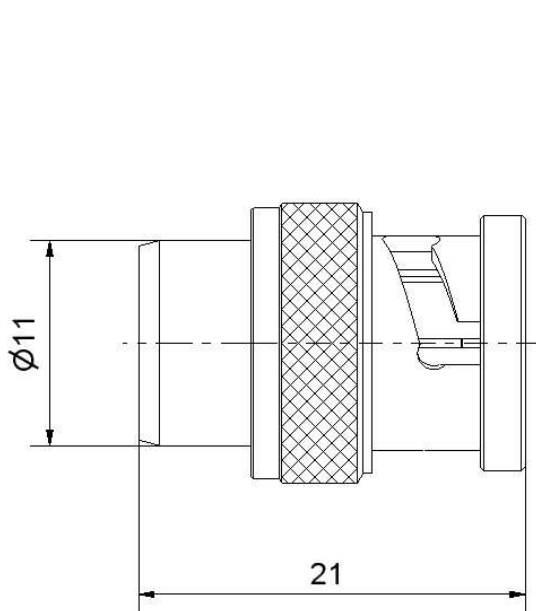
Address: A1208, Overseas Decoration Building, #122 Zhenhua RD., Futian, Shenzhen, China



BNC 75 Ω

Termination  
Plug 1 Watt

**71S1RR-001N4**



All dimensions are in mm; tolerances according to ISO 2768 m-H

**Interface**

Compatible to IEC 61169-8

**Documents**

N/A

**Material and plating**

**Connector parts**

- Center contact
- Outer contact
- Body
- Dielectric
- Substrate
- Gasket

**Material**

- Brass
- Brass
- Brass
- PTFE
- Al<sub>2</sub>O<sub>3</sub>
- NeoprenCR 50C6

**Plating**

- Gold, min. 0.8 μm, over nickel
- White bronze(e.g. Optalloy®)
- White bronze(e.g. Optalloy®)

Dieses Dokument ist urheberrechtlich geschützt • This document is protected by copyright • Rosenberger Hochfrequenztechnik GmbH & Co. KG

RF\_35/09.14/6.2

BNC 75 Ω

Termination  
Plug 1 Watt

**71S1RR-001N4**

**Electrical data**

Impedance 75 Ω  
 Frequency DC to 2 GHz  
 Return loss ≥ 20.8 dB, DC to 1 GHz  
 ≥ 15.6 dB, 1 GHz to 2 GHz  
 Power handling (at 20 °C, sea level, VSWR 1.0) 1 W at 25°C  
 derated linearity to 0 Watts at 125°C

**Mechanical data**

Mating cycles ≥ 500  
 Center contact captivation) ≥ 27 N

**Environmental data**

Temperature range -55°C to +155°C  
 RoHS compliant

**Tooling**

N/A

**Suitable cables**

N/A

**Weight**

10.0 g/pce

While the information has been carefully compiled to the best of our knowledge, nothing is intended as representation or warranty on our part and no statement herein shall be construed as recommendation to infringe existing patents. In the effort to improve our products, we reserve the right to make changes judged to be necessary.

Draft	Date	Approved	Date	Rev.	Engineering change number	Name	Date
K. Herzog	23.08.04	F. Reiner	10.07.18	b01	18-1026	M. Ruf	06.07.18

Rosenberger Hochfrequenztechnik GmbH & Co. KG  
 P.O.Box 1260 D-84526 Tittmoning Germany  
[www.rosenberger.de](http://www.rosenberger.de)

Tel. : +49 8684 18-0  
 Email : [info@rosenberger.de](mailto:info@rosenberger.de)

Page  
 2 / 2