



Chipsmall Limited consists of a professional team with an average of over 10 year of expertise in the distribution of electronic components. Based in Hongkong, we have already established firm and mutual-benefit business relationships with customers from,Europe,America and south Asia,supplying obsolete and hard-to-find components to meet their specific needs.

With the principle of "Quality Parts,Customers Priority,Honest Operation,and Considerate Service",our business mainly focus on the distribution of electronic components. Line cards we deal with include Microchip,ALPS,ROHM,Xilinx,Pulse,ON,Everlight and Freescale. Main products comprise IC,Modules,Potentiometer,IC Socket,Relay,Connector.Our parts cover such applications as commercial,industrial, and automotives areas.

We are looking forward to setting up business relationship with you and hope to provide you with the best service and solution. Let us make a better world for our industry!



Contact us

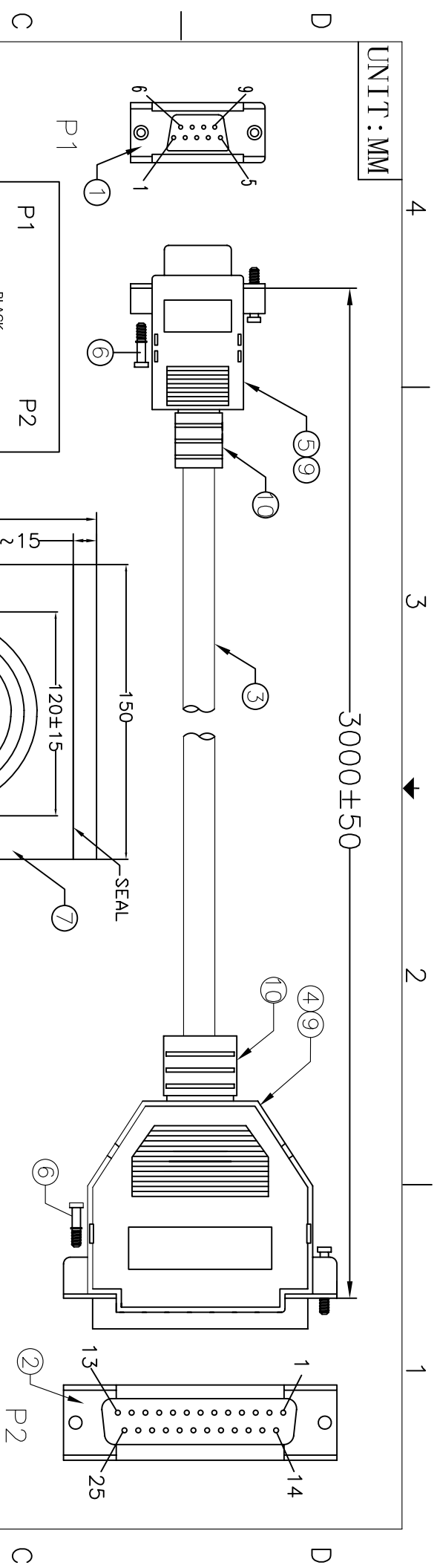
Tel: +86-755-8981 8866 Fax: +86-755-8427 6832

Email & Skype: info@chipsmall.com Web: www.chipsmall.com

Address: A1208, Overseas Decoration Building, #122 Zhenhua RD., Futian, Shenzhen, China

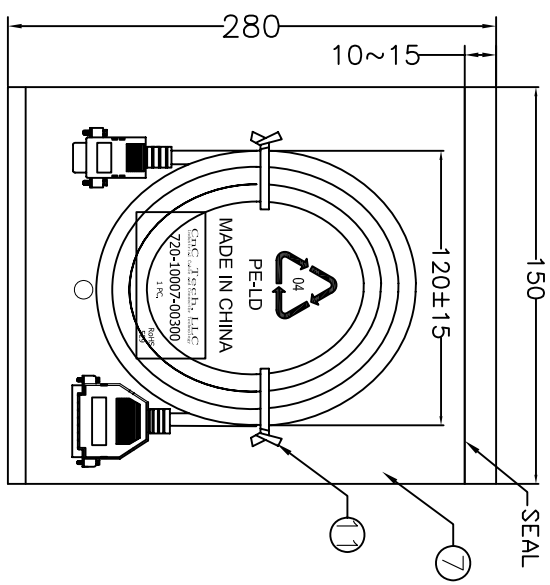


UNIT:MM



Electronic Test:
 1. 100% Test,(Open,Short,Miss Wire)
 2. Contact Resistance:5 ohm max.
 3. Insulation Resistance:5M ohm min.
 4. Hi-Pot:300V DC.

P1	1	BLACK	P2	8	
	2	GREY		2	
	3	YELLOW		3	
	4	PURPLE		6	
	5	ORANGE		7	
	6	RED		20	
	7	BROWN		5	
	8	GREEN		4	
	9	BLUE		4	
		DRAIN		22	
		SHELL			



①	TIE	2	WHITE L=100mm
⑩	S/R	5.5g	BEIGE(IV-29#) 45P PVC (MOULD NO.SR-50/SR-51)
⑨	TUBE	50mm	HEAT SHRINK TUBE BLACK OD1.5mm,L1=20mm,L2=30mm
⑧	PE BAG	1/10	CLEAR SIZE: 360*380*0.05mm PRINT BLACK"MADE IN CHINA"+"10PCS"及生产周期,有透气孔.
⑦	PE BAG	1	CLEAR SIZE: 150*280*0.05mm PRINT BLACK"MADE IN CHINA"+"1PC"及生产周期,有透气孔.
⑥	SCREW	4	SCREW #4-40UNC L=12.5mm,NICKEL PLATED
⑤	DKN	1	DB9P DKN W/O NUT BEIGE
④	DKN	1	DB25P DKN W/O NUT BEIGE
③	CABLE	1	NOUL 30AWG*9C+AD OD5.0mm COLOR BEIGE(IV-29) L=3000±15mm
②	CONN	1	DB25P FEMALE SOLDER TYPE PIN G/F, BLUE INSULATION
①	CONN	1	DB 9P FEMALE SOLDER TYPE G/F, BLUE INSULATION
NO.	NAME	QTY	

CNC Tech, LLC
 Industrial Cable and Connector Technology

DRAWN BY	ZHONGHS	DRAWING NO.	
CHECKED BY		CUSTOMER	CNC
APPROVAL BY		ITEM NO.	720-10007-00300
DECIDE BY		DATE	2012-02-06
VERSIONS/EDITION	A/0	PROJECT	

4 3 2 1 4 3 2 1