



Chipsmall Limited consists of a professional team with an average of over 10 year of expertise in the distribution of electronic components. Based in Hongkong, we have already established firm and mutual-benefit business relationships with customers from,Europe,America and south Asia,supplying obsolete and hard-to-find components to meet their specific needs.

With the principle of "Quality Parts,Customers Priority,Honest Operation,and Considerate Service",our business mainly focus on the distribution of electronic components. Line cards we deal with include Microchip,ALPS,ROHM,Xilinx,Pulse,ON,Everlight and Freescale. Main products comprise IC,Modules,Potentiometer,IC Socket,Relay,Connector.Our parts cover such applications as commercial,industrial, and automotives areas.

We are looking forward to setting up business relationship with you and hope to provide you with the best service and solution. Let us make a better world for our industry!



## Contact us

Tel: +86-755-8981 8866 Fax: +86-755-8427 6832

Email & Skype: info@chipsmall.com Web: www.chipsmall.com

Address: A1208, Overseas Decoration Building, #122 Zhenhua RD., Futian, Shenzhen, China





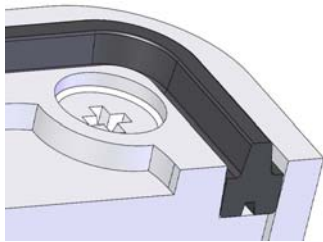
# 720 GFX-i Series Sealed and Rugged Keypads

These tough, water resistant keypads feature moving, tactile keys with a responsive 'over-centre' action. Keytop graphics can be easily customized by the use of legend tiles under 'snap-on' transparent keycaps. Once snapped into place the tamper resistant keycaps encapsulate and protect the keytop graphics. These keypads have integral white light LED illumination for use in dark or partially lit locations.

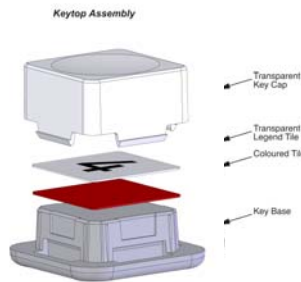


The keypad can be installed on the surface or under the panel.

Fit the supplied silicone seal into the seal groove on the keypad. Use the groove on top for underpanel, and on back for surface fix. The wide part of the seal goes into the groove – see picture below of the seal fitted to the back of the keypad.



To customise the layout place a colour tile and a legend tile onto the key base, and clip the keycap over the top.



## Connection Details

### Connection Details for 4 Key Keypad

CONTACT CONNECTIONS  
 ● ● ● ● ● ●  
 7 6 5 4 3 2 1  
 (As viewed from rear of keypad)

KEY LOCATION  
 (As viewed from front of keypad)

CONTACT MATRIX	
CONNEC. PIN	ROW/ COLUMN
1	Cathode
2	Common
3	D
4	C
5	B
6	A
7	Anode

### Connection Details for 12 Key Keypad

CONTACT CONNECTIONS  
 ● ● ● ● ● ● ● ● ● ● ● ●  
 10 9 8 7 6 5 4 3 2 1  
 (As viewed from rear of keypad)

KEY LOCATION  
 (As viewed from front of keypad)

CONTACT MATRIX	
CONNEC. PIN	ROW/ COLUMN
1	Cathode
2	A
3	B
4	1
5	2
6	3
7	-
8	D
9	C
10	Anode

### Connection Details for 16 Key Keypad

CONTACT CONNECTIONS  
 ● ● ● ● ● ● ● ● ● ● ● ● ● ● ● ●  
 10 9 8 7 6 5 4 3 2 1  
 (As viewed from rear of keypad)

KEY LOCATION  
 (As viewed from front of keypad)

CONTACT MATRIX	
CONNEC. PIN	ROW/ COLUMN
1	Cathode
2	A
3	B
4	1
5	2
6	3
7	4
8	D
9	C
10	Anode

White Colour Tiles and Set A Legends are included; Set A Legends comprises :-

**1 2 3 4 5 6 7 8 9 0 + = x ÷ \* # . ← ↑ → ↓ AC I/O ENT CE/E**

Additional Legends ( Tile sets B,C,D,E,F, ) & Colours (White, Grey, Red, Green, Blue, Yellow) are available

## Electrical

Contact Bounce **5 ms (max)**  
 Contact Resistance **100 ohms (max)**  
 Insulation Resistance **50 Mohms (min)**  
 Breakdown Voltage **500 V AC (max 60 secs.)**  
 Switch Rating **24V DC 50mA (max)**  
 Connection **X-Y Matrix**  
 Illumination ( Pin 1 is 0 V) **5 V DC ± 10 % , 13mA per key**

## Mechanical

Operational Life **2 million cycles (min) per key**  
 Keytop Travel **1.4mm nominal**  
 Actuation Force **150 grams nominal**  
 Connector **0.1"pitch, gold plated square pin**  
 Mating Connector **Molex 2695 Series or equivalent**

## Performance

Operational Temp **-20°C to 60°C**  
 Impact Rating **5 J**  
 Vibration/Shock **ETSI 300 019 5M3**  
 Water / Dust sealed **IP65 (when fixed to suitable panel )**

## Part Numbers

7207-041W20 **720GFXi SERIES 4 KEY**  
 7207-121W20 **720GFXi SERIES 12 KEY**  
 7207-161W20 **720GFXi SERIES 16 KEY**

## Accessories

4200-00 **RS232 Encoder Interface Module**  
 4500-10 **450 USB Encoder Interface Module with Buzzer and Illumination Control**  
 Colour & Legend Tiles & Replacement Seals go to [www.storm-interface.com](http://www.storm-interface.com)

## Dimensions

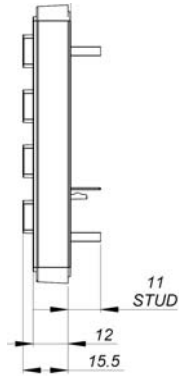
Overall sizes **See following page**  
 Panel Cutout DXF **Download .dxf and .stp files from**  
 Surface Model STEP **www.storm-interface.com**



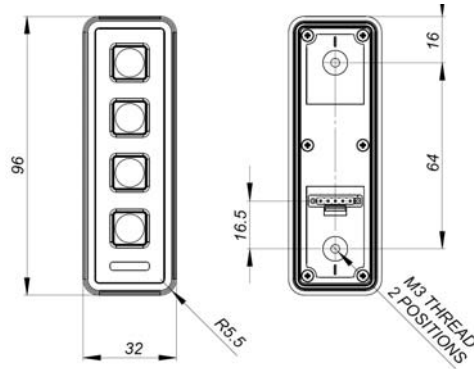
Install the keypad onto the surface of a panel as follows :-

- Fit the seal to the rear of the keypad
- Place the keypad onto the panel and fit the self locking nuts to the studs on the back
- Recommended tightening torque 50Ncm

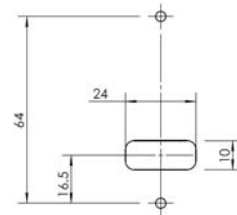
Side View : 4, 12, 16



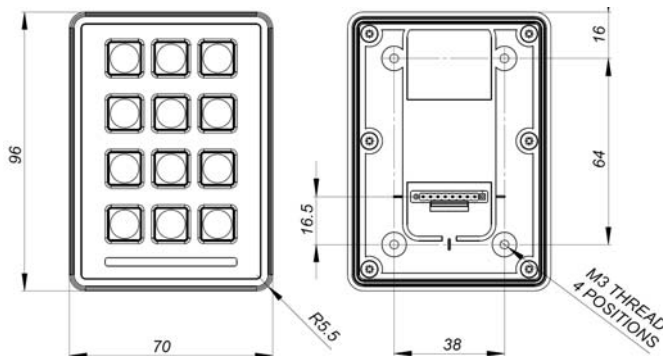
Front and Back View : 4 way



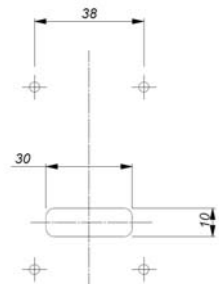
Panel Cutout : 4 way



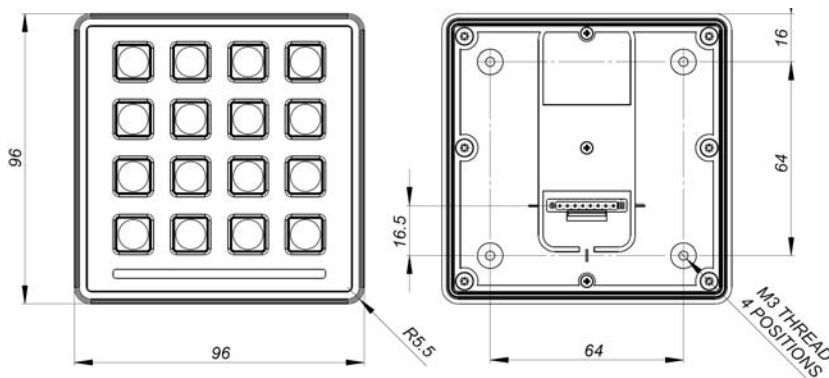
Front and Back View, 12 way



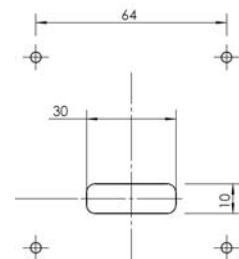
Panel Cutout : 12 way



Front and Back View, 16 way



Panel Cutout : 16 way



All panel dims in mm.  
Corner Rads all M3