



Chipsmall Limited consists of a professional team with an average of over 10 year of expertise in the distribution of electronic components. Based in Hongkong, we have already established firm and mutual-benefit business relationships with customers from,Europe,America and south Asia,supplying obsolete and hard-to-find components to meet their specific needs.

With the principle of "Quality Parts,Customers Priority,Honest Operation,and Considerate Service",our business mainly focus on the distribution of electronic components. Line cards we deal with include Microchip,ALPS,ROHM,Xilinx,Pulse,ON,Everlight and Freescale. Main products comprise IC,Modules,Potentiometer,IC Socket,Relay,Connector.Our parts cover such applications as commercial,industrial, and automotives areas.

We are looking forward to setting up business relationship with you and hope to provide you with the best service and solution. Let us make a better world for our industry!



Contact us

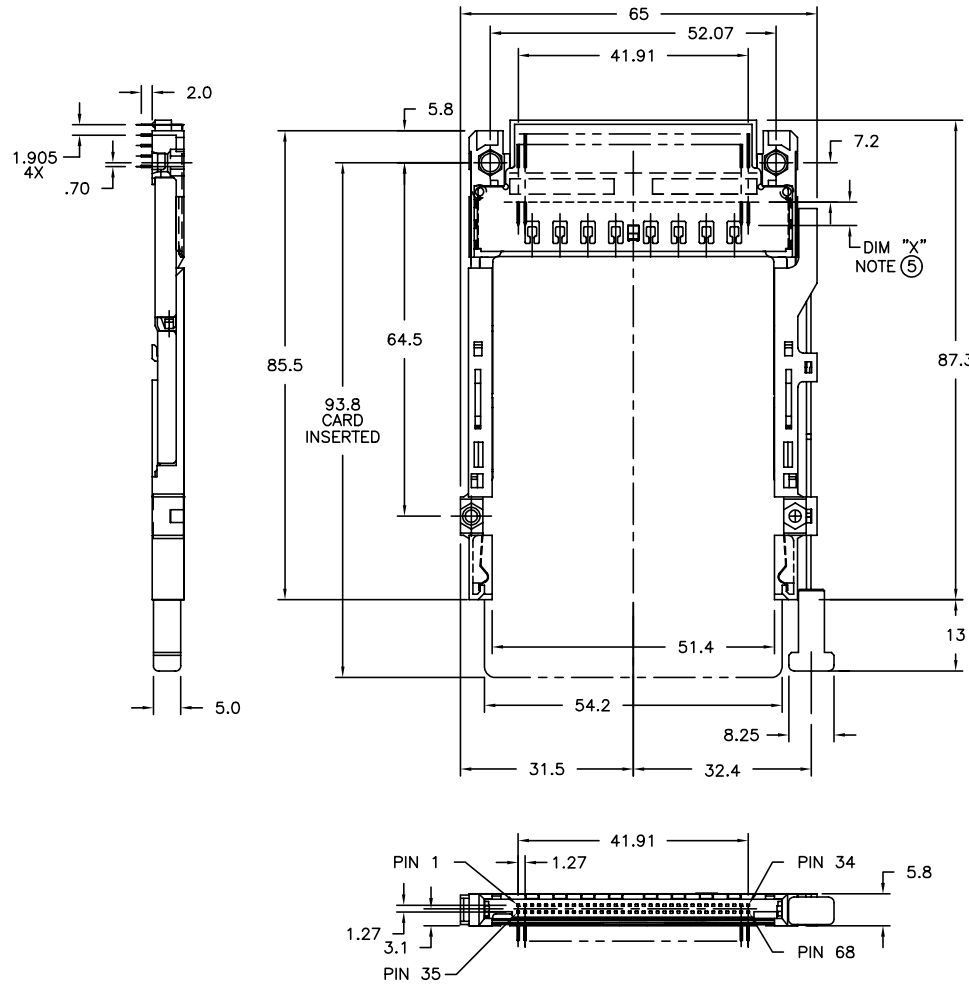
Tel: +86-755-8981 8866 Fax: +86-755-8427 6832

Email & Skype: info@chipsmall.com Web: www.chipsmall.com

Address: A1208, Overseas Decoration Building, #122 Zhenhua RD., Futian, Shenzhen, China



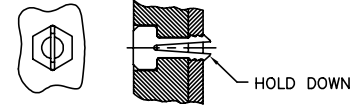
PRODUCT NO.
72206-000CA/000CALF
NOTE ⑧



NOTES:

- 1 8mm MIN CARD EJECT.
- 2 PUSH-ROD TRAVEL: 9.5mm
- 3 MATERIAL:
 - 3.1 HEADER ASSY:
 - PLASTIC HOUSING: HIGH TEMPERATURE THERMOPLASTIC UL94V-0 BLACK - ABOVE PCB
 - PIN: PHOSPHOR BRONZE
 - 3.2 EJECT MECHANISM ASSY:
 - PLASTIC GUIDE: HIGH TEMPERATURE THERMOPLASTIC UL94V-0 BLACK
 - PLASTIC PUSH-ROD BUTTON: HIGH TEMPERATURE THERMOPLASTIC UL94V-0 BLACK
 - COVER PLATE, EJECT PLATE, LINK ARM,
 - PUSH ROD: STAINLESS STEEL
 - EMI CONTACT: PHOSPHOR BRONZE
- 4 FINISH (PIN)
 - UNDER PLATING: 0.5um MIN Ni
 - CONTACT AREA: 0.076 um MIN. GOLD
- SOLDER TAIL: 2.5umMIN Sn-Pb FOR TIN LEAD OPTION
2.5umMIN PURE TIN FOR LEAD FREE OPTION
- ⑤ DIM "X"

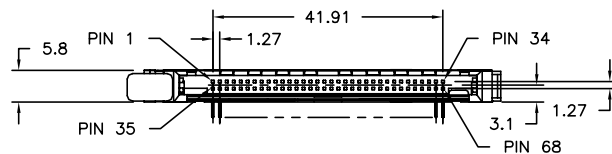
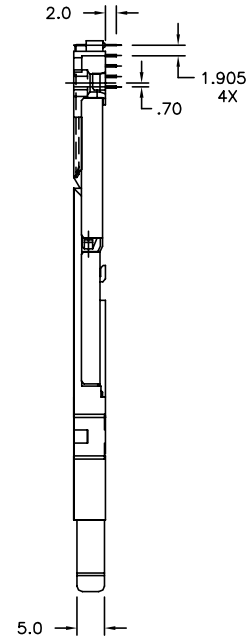
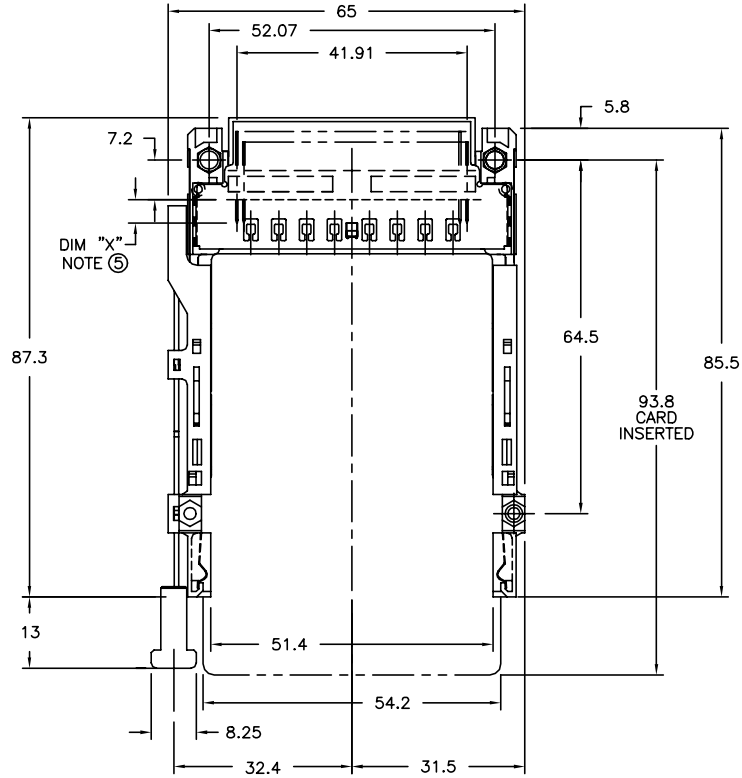
4.25±0.1	3.5±0.1	5.0±0.1
OTHERS	36,67	1,17,34,35,51,68
- 6 RECOMMENDED HOLD DOWN - 2mm SCREWS (95121-001) AND NUTS (92869-001).
RECOMMENDED SCREW TORQUE: 1.0 TO 1.5 MAX in-lbs. (1.2-1.7 cm-kgs).
- 7 SEE SHEET 3 FOR PCB LAYOUT INFORMATION.
- ⑧ ADD "H" TO PART NUMBER FOR OPTIONAL HOLD DOWN (2 PER EJECT MECHANISM).



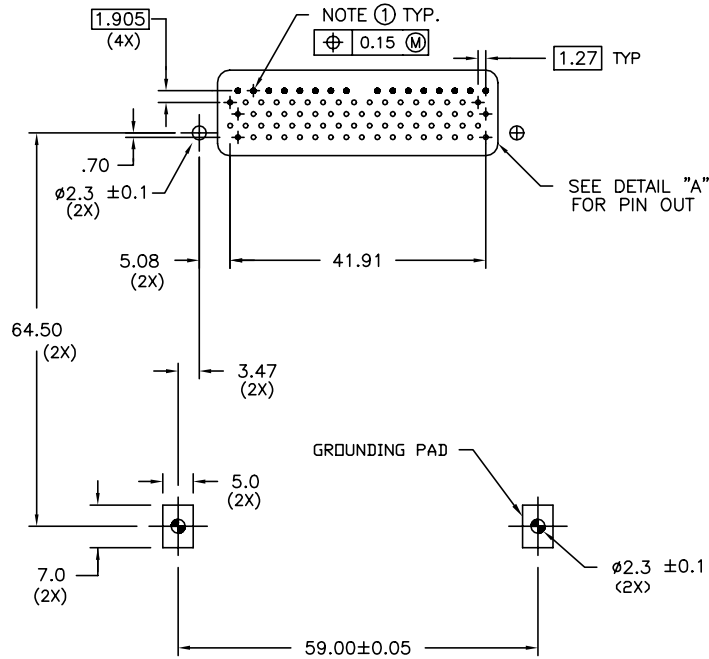
- 9 IF LEAD FREE P/N.THE HOUSING WILL WITHSTAND EXPOSURE TO 260°C PEAK TEMPERATURE FOR 10 SECONDS IN A WAVE SOLDER APPLICATION WITH A 1.00MM MINIMUM THICK CIRCUIT BOARD.
- 10 IF LEAD FREE P/N.THE PRODUCT MEETS EUROPEAN UNION DIRECTIVES AND OTHER COUNTRY REGULATIONS AS DISCRIBED IN GS-22-008
- 11 LEAD FREE P/N PACKAGING MEETS GS-14-920 SPECIFICATION
- 12 PRODUCT SPEC:110-263

mat'l. code		surface <input checked="" type="checkbox"/> ISO1302 <input checked="" type="checkbox"/> tolerance <input checked="" type="checkbox"/> ISO1101 <input checked="" type="checkbox"/> ISO406		projection	product family		
l trechn nodr date		tolerances unless other			MCS		
E	V12164 TFG 8/16/01	angle			MM	R/A CARDBUS SINGLE DECK ASSEMBLY	
F	N05-0054 WB 03/02/05	0°±2'		scale 1:1	dwg no 72206 sheet 1 of 3 size A4		
G	BLX-N-011408 ZK 04/02/12	0°±2'			type Product Customer Drawing		
sheet index		revising sheet	G 1	G 2	G 3		

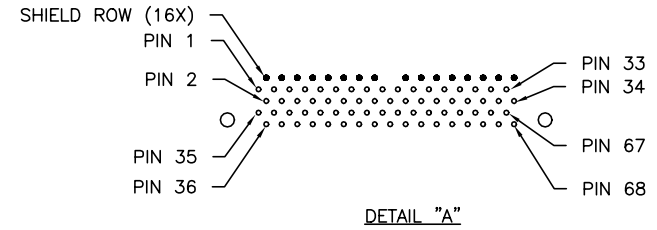
PRODUCT NO.
72206-100CA/100CALF
NOTE ③



mat'l. code	surface ISO1302 ✓	tolerance ISO1101 ISO406	projection ASME Y14.5	product family MCS
ltr ecn nodr date	tolerances unless otherwise specified		MM	R/A CARDBUS SINGLE DECK ASSEMBLY
g	angle 0°±2'	0.X±0.3 0.XX±0.13 0.XXX±0.051	scale 1:1	dwg no 72206 sheet 2 of 3 size A4
	dr R.GRAPE 4/29/96	engr D.BRANN 4/29/96	FCI	type Product Customer Drawing
	chr D.BRANN 4/29/96	appd D.BRANN 4/29/96		
sheet index	revision sheet			



P.C.B. LAYOUT



NOTES:

- ① RECOMMENDED DIAMETER IS Ø1.0. FOR PROCESSES USING PASTE REFLOW, HOLE MAY BE AS SMALL AS Ø0.79.
- 2 ALL TOLERANCES ±0.15 UNLESS NOTED.

mat'l. code		surface ISO1302 ✓		tolerance ISO1101 ISO406		projection MM		product family MCS	
l t r e c n n o d r		date		tolerances unless otherwise specified		scale 1:1		title R/A CARDBUS SINGLE DECK ASSEMBLY	
g		angle		0.X±0.3		MM		dwg no	
		0°±2'		0.XX±0.13				sheet 3 of 3	
				0.XXX±0.051				size A4	
		dr		R.GRAPE 4/29/96				type	
		enr		D.BRANN 4/29/96				Product	
		chr		D.BRANN 4/29/96				Customer	
		appd		D.BRANN 4/29/96				Drawing	
sheet index		revision sheet							